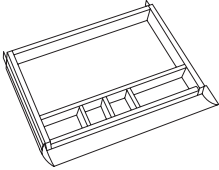
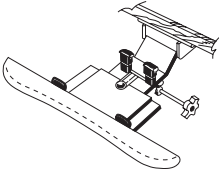
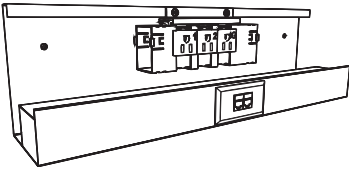
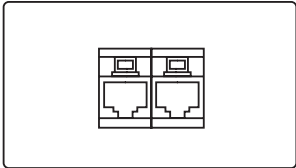
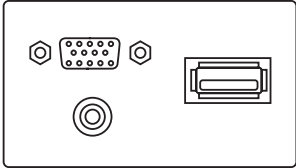
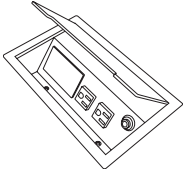
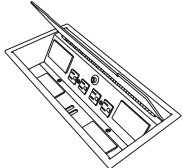
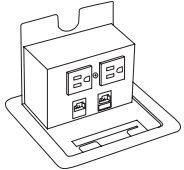
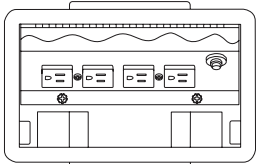




DMI COLLECTION


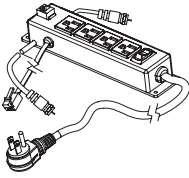
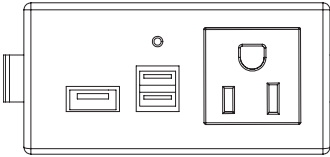

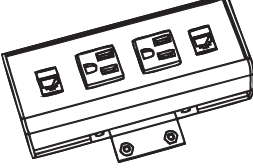
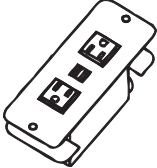
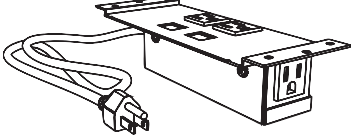
Item Description Model Number	W"	D"	H"	Weight Lbs.	Cubic Ft.	List Price	Features
 Optional Center Drawer 0000-2	20.5	18	2	6	0.7	\$ 96.00	• Black finish, compartmentalized drawer
 Deluxe Keyboard Support with Mouse Pad 0000-7	32	20		12	0.6	\$ 433.00	• Includes arm, clamp, palm rest and 17.75" track keyboard secures with knob operated clamp comfortable • Washable foam palm rest 5.75 of height adjustment +/- 15° of tilt adjustment • Steel constructed in a black matte finish
 19" J-Channel 0000-13	19	4	8	2	0.4	\$ 215.00	• Three electrical outlets one telecom plate cutout
72" Starter Cable Cord for J-Channel 0000-64				1	0.1	\$ 189.00	
 Conference Table Telecom Plate 0000-22				1	0.4	\$ 132.00	• Two data ports RJ-45 • Fits into 0000-28, 0000-29, 0000-26, 0000-27
 Conference Table Telecom Plate 0000-23				1	0.4	\$ 315.00	• One each HDMI, VGA, stereo port • Fits into 0000-28, 0000-29, 0000-26, 0000-27
 Conference Table Power Center 0000-26 0000-27				4 4	0.2 0.2	\$ 391.00 \$ 422.00	• 0000-26 in Black • 0000-27 in Pearl • Table top unit with one duplex (two power outlets), 15 amp circuit breaker, third receptacle in bottom of unit for convenient outlet, cutout for one telecom plate, 72" cord; UL listed; CSA certified
Installation for Unit 0000-3199						\$ 497.00	<i>Note: Orders for installations cannot be cancelled</i>
 Conference Table Power Center 0000-28 0000-29				4 4	0.2 0.2	\$ 785.00 \$ 762.00	• 0000-28 in Black • 0000-29 in Pearl • Table top unit with two duplexes (four power outlets), 15 amp circuit breaker, cutout for 4 telecom plate, 72" cord • UL listed; CSA certified
Installation for Unit 0000-3199						\$ 497.00	<i>Note: Orders for installations cannot be cancelled</i>
 Conference Table Data / Power Center 0000-31 0000-32				4 4	0.2 0.2	\$ 381.00 \$ 443.00	• 0000-31 in Black • 0000-32 in Silver Powder Coat • Tabletop flip up unit with 2 power receptacles, 2 RJ-475 cat 6 connectors, 72" cord • UL listed; CSA certified
Installation for Unit 0000-3199						\$ 497.00	<i>Note: Orders for installations cannot be cancelled</i>
 Conference Table Power Center with Surge Protector 0000-35 0000-36				4 4	0.2 0.2	\$ 687.00 \$ 714.00	• 0000-35 in Black • 0000-36 in Pearl • Table top unit with two duplexes (four power outlets), 72" cord with molded plug, 15 amp circuit breaker • UL listed; CSA certified
Installation for Unit 0000-3199						\$ 497.00	<i>Note: Orders for installations cannot be cancelled</i>

Accessories



FLEXSTEEL®
CONTRACT

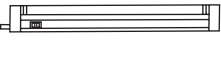
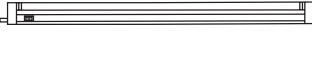
DMI COLLECTION

Item Description Model Number	W"	D"	H"	Weight Lbs.	Cubic Ft.	List		Features
						Price	Price	
 Hide-A-Dock 0000-38	3.5	2.5	2.75	2	0.1	\$	113.00	<ul style="list-style-type: none"> • Black with flip-lid top • Three USB 2.0 ports with a total of 2A power, card reader with SD/SDHC/MMC, MS Pro/Duo slots, External audio jack, 100-240V AC/DC 2A adapter, 6' digital cable, combined 3.5mm headphone/microphone jack and USB type A jack • Designed for easy grommet hole installation
 TVS4113 0000-40	7.5	2	1.5	2	0.2	\$	82.00	<ul style="list-style-type: none"> • Four power outlets, phone jack with phone cable, TV cable • AC125V 12A 60Hz rating • Overload protect switch with indicator light • SJT 14AWG/3C power cord • Factory installation not available. Includes hardware for attachment to desired location.
 PC710 0000-41 Installation for Unit 0000-0099				2	0.2	\$	77.00 \$ 452.00	<ul style="list-style-type: none"> • Black, one AC grounded outlet, one USB pass through, two USB chargers per DCSV IA • AC 125V 60Hz 10A rating • 8' 16AWGX3C power cord with ground plug <i>Note: Orders for installations cannot be cancelled</i>
 Pop-Up Power Station 0000-42	3.5	3.5	10	3	0.4	\$	135.00	<ul style="list-style-type: none"> • Black, two outlets, two DCSV 2.14 USB ports • AC 125V 60Hz, 12A max rating • 6' SJT 14AWG/3C power cord • Designed for easy grommet hole installation • Requires minimum 12" clearance under mounted surface for correct operation
 Seclusion Power/Data Center 0000-43						\$	360.00	<ul style="list-style-type: none"> • Two electrical outlets, two RJ45 ports
 Cove Power Center 0000-44	6.5	2.5	3.5	1	0.1	\$	465.00	<ul style="list-style-type: none"> • Two electrical outlets, two USB ports
 Villa Power Center 0000-45	10	4	3	1	0.1	\$	540.00	<ul style="list-style-type: none"> • Two electrical outlets, two RJ45 ports
Interconnecting Cable for Villa Power Center 0000-65				1	0.1	\$	169.00	
Starter Cable Cords 0000-61 0000-62	72 54	2 2	1 1	1 1	0.1 0.1	\$	205.00 290.00	<ul style="list-style-type: none"> • 15 amp
72" Connector Cord 0000-63	72	2	1	1	0.1	\$	175.00	<ul style="list-style-type: none"> • Flexible metal; female/female end



Accessories

DMI COLLECTION

Item Description	Weight	Cubic	List	Features
Model Number	Lbs.	Ft.	Price	
 19" Task Light 0000-300	5	0.4	\$ 112.00	<ul style="list-style-type: none"> • 0000-300 is 16 watt lamp • 0000-400 is 21 watt lamp • Black framed fluorescent light • On/off switch
 35.75" Task Light 0000-400	8	0.2	\$ 147.00	<ul style="list-style-type: none"> • 10' SPT-2 black cord • UL & CUL listed
Optional Grommets for Conference Tables				<ul style="list-style-type: none"> • 0000-097 in Brushed Platinum finish • 0000-098 in Antique Brass finish • 0000-099 in Black finish
0000-097	1	0.2	\$ 38.00	<i>Note: Orders for installations cannot be cancelled</i>
0000-098	1	0.2	\$ 38.00	
0000-099	1	0.2	\$ 38.00	
Installation for Grommet 0000-3099				\$ 4952.00

Installation Policy

- DMI will offer data port installations for Power and Data ports (P&D ports) sold by DMI, in standard, existing grommet locations on Expandable Tables, for a set installation fee listed in our price list.
- DMI will provide installations of P&D ports not sold by DMI in the existing grommet holes for a 35% up charge, provided the client supplies detailed drawings of direction the ports are to be installed and exact dimensions of the port.
- DMI Standard Conference Tables, outside the Ex-table program, are not engineered for data ports. There is no wire management support on the table or table bases. DMI may agree to install ports to these tables for a 50% up charge to standard installation charges if the client provides detailed signed off drawings for dimensions and locations of the ports. In these cases, DMI reserves the right to move data port locations if the desired location will interfere with table base support.
- In all cases, table orders with installed P&D ports are not cancellable.

Model	0000-101 18" x 68" (Black) \$407.00	0000-102 18" x 63" (Black) \$382.00	0000-103 18 x 44.5" (Black) \$312.00	0000-310 16.5" x 59.5" (Gray) \$264.00	0000-311 16.5" x 65.5" (Gray) \$264.00	0000-320 15.5" x 57" (Gray) \$264.00	0000-321 16.5" x 63" (Gray) \$256.00	0000-341 20.5" x 68" (Black) \$328.00
Collection Number								
7004/7005/7006/7007-326			•					
7004/7005/7006/7007-426	•							
7004/7005/7006/7007-427	•							
7004/7005/7006/7007-428	•							
7004/7005/7006/7007-927		•						
7004/7005/7006/7007-928		•						
7350-44							•	
7350-47							•	
7350-61						•		
7350-62						•		
7462-44							•	
7462-61						•		
7462-62							•	
7480-44						•		
7480-46							•	
7480-62						•		
7603-62					•			
7684-44				•				
7020/7027-61				•				
7020/7027-62				•				
7130/7132-62								•
7130/7132-63								•
7302-625								•
7302-404								•