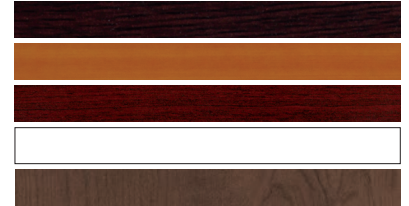


CAUSEWAY PLAYBOOK

TYPICAL REFERENCE GUIDE 2015

7040 MOCHA
7041 HONEY MAPLE
7042 MAHOGANY
7043 WHITE
7047 WALNUT



Causeway is an extensive modular, non-handed, crossover line of products that will support standard office applications, open collaborative areas, desking applications and small scale or home offices including benching applications. This product is offered in 4 laminate colors for chassis and tops, Mocha, Mahogany, Honey Maple, and Walnut, with optional White laminate work surfaces, white glass doors and white glass modesty panels. The Mocha and Mahogany laminates match current laminates in our Fairplex and Pimlico lines allowing customers the ability to mix product from the other lines into the office area to dress up or dress down the office environment.

CAUSEWAY PLAYBOOK

REFERENCE GUIDE

TABLE OF CONTENTS

Open Office (OPN)	2
• includes L-desk configurations	
Small Office / Home Office (SH)	12
• includes L-desk configurations	
Benching (BN)	19
• includes L-desk configurations	
Reception (REC)	29
• includes L-desk and U-desk configurations	
Private Office (PO)	30
• includes L-desk and U-desk configurations	
Collaborative (COL)	68
• includes L-desk configurations	
Tables	77
Accessories	79
Number Classifications & Index	82

CAUSEWAY TYPICAL KEY

	STEP ONE		STEP TWO		STEP THREE
OPN	Open Office	F	Freestanding Unit		Numbering
SH	Small Office/Home Office	S	Storage Unit		.001, .002, .003, .004, etc
BN	Benching	L	L-Shape Unit		
REC	Reception	U	U-Shape Unit		
PO	Private Office	D	Double Pedestal Unit		
COL	Collaborative	T	Standard Unit		
	Tables				

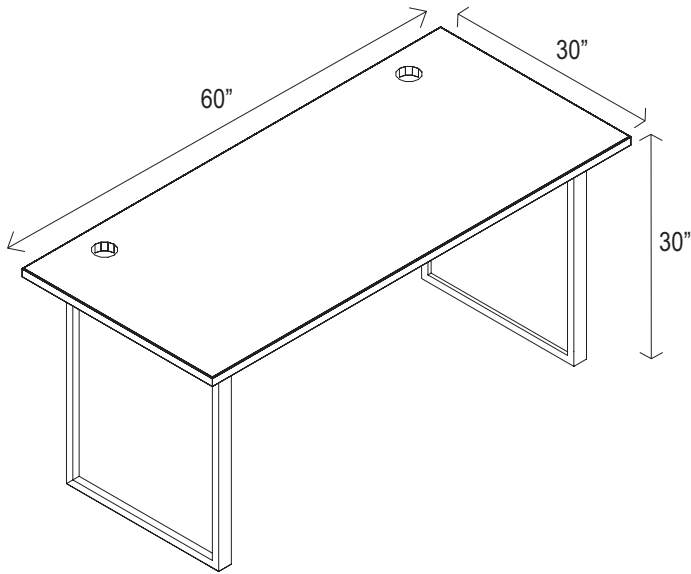
Note Many of the typicals can be used in multiple applications other than how this guide is organized.
Where applicable, kit numbers are listed for ease in ordering.



OPEN OFFICE (OPN)

OPN.F.001

PART NO.	DESCRIPTION	QTY	LIST PRICE	TOTAL
70**-6211	60" STRAIGHT FRONT DESK TOP	1	\$ 257.00	\$ 257.00
7049-1192	TOP SUPPORT RAILS 50"	1	\$ 68.00	\$ 68.00
70**-7224	56" HOME OFFICE MODESTY PANEL	1	\$ 107.00	\$ 107.00
7049-5912	END SUPPORT FRAME	2	\$ 168.00	\$ 336.00

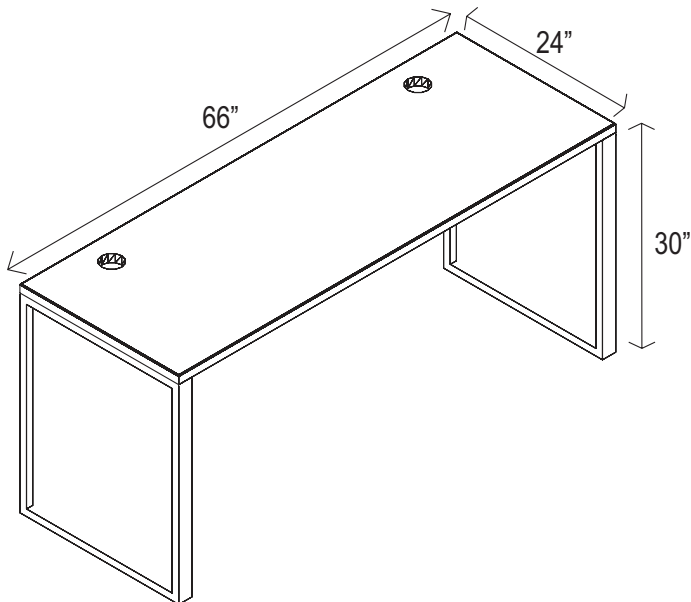


TYPICAL TOTAL

\$ 768.00

OPN.F.002

PART NO.	DESCRIPTION	QTY	LIST PRICE	TOTAL
70**-6202	66" CREENZA TOP	1	\$ 252.00	\$ 252.00
7049-1192	TOP SUPPORT RAILS 50"	1	\$ 68.00	\$ 68.00
70**-7225	62" HOME OFFICE MODESTY PANEL	1	\$ 118.00	\$ 118.00
7049-5902	END SUPPORT FRAME	2	\$ 155.00	\$ 310.00

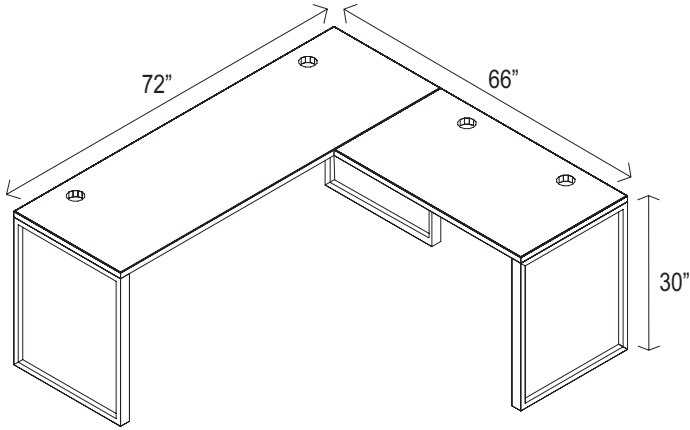


TYPICAL TOTAL

\$ 748.00

OPN.L.003

PART NO.	DESCRIPTION	QTY	LIST PRICE	TOTAL
70**-6201	72" CREENZA TOP	1	\$ 268.00	\$ 268.00
70**-6205	42" BRIDGE/RETURN TOP	1	\$ 161.00	\$ 161.00
7049-1191	TOP SUPPORT RAILS 60"	1	\$ 78.00	\$ 78.00
70**-7226	68" HOME OFFICE MODESTY PANEL	1	\$ 118.00	\$ 118.00
7049-5902	END SUPPORT FRAME	3	\$ 155.00	\$ 465.00

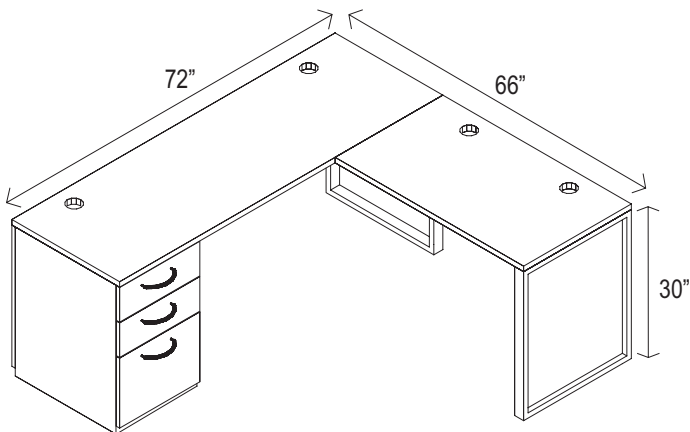


TYPICAL TOTAL

\$ 1090.00

OPN.L.004

PART NO.	DESCRIPTION	QTY	LIST PRICE	TOTAL
70**-6201	72" CREENZA TOP	1	\$ 268.00	\$ 268.00
70**-6205	42" BRIDGE/RETURN TOP	1	\$ 161.00	\$ 161.00
7049-1192	TOP SUPPORT RAILS 50"	1	\$ 68.00	\$ 68.00
70**-6226	52" HOME OFFICE MODESTY PANEL	1	\$ 107.00	\$ 107.00
70**-834	BOX/BOX/FILE PEDESTAL, 18 X 24	1	\$ 573.00	\$ 573.00
7049-5902	END SUPPORT FRAME	2	\$ 155.00	\$ 310.00

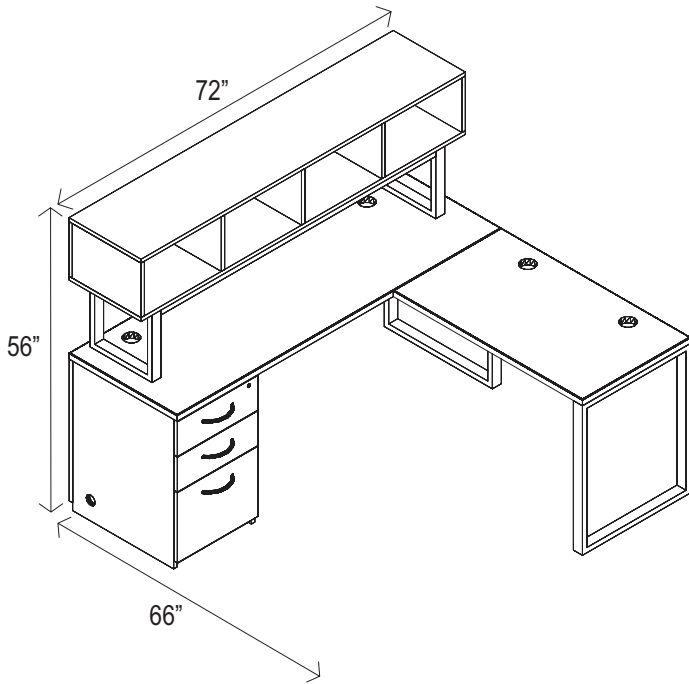


TYPICAL TOTAL

\$ 1487.00

** Must choose finish from available colors
 40 Mocha, 41 Honey Maple, 42 Mahogany, 43 White, 47 Walnut

OPN.L.005



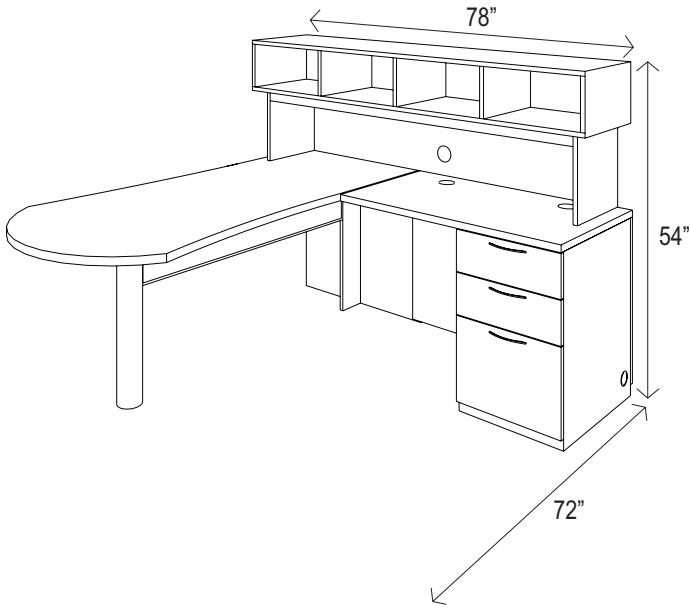
PART NO.	DESCRIPTION	QTY	LIST PRICE	TOTAL
70**-6201	72" CREDENZA TOP	1	\$ 268.00	\$ 268.00
70**-6205	42" BRIDGE/RETURN TOP	1	\$ 161.00	\$ 161.00
7049-1192	TOP SUPPORT RAILS 50"	1	\$ 68.00	\$ 68.00
70**-6226	52" HOME OFFICE MODESTY PANEL	1	\$ 107.00	\$ 107.00
70**-834	BOX/BOX/FILE PEDESTAL, 18 X 24	1	\$ 573.00	\$ 573.00
7049-5902	END SUPPORT FRAME	2	\$ 155.00	\$ 310.00
70**-1107	72" HANGING/DECK STORAGE	1	\$ 401.00	\$ 401.00
7049-111	DECK STORAGE SUPPORT FRAME	1	\$ 316.00	\$ 316.00

TYPICAL TOTAL

\$ 2204.00

OPN.L.006 LAMINATE

PART NO.	DESCRIPTION	QTY	LIST PRICE	TOTAL
70**-7210	72 X 36 FAN SHAPED DESK	1	\$ 954.00	\$ 954.00
70**-6205	42" BRIDGE/RETURN TOP	1	\$ 161.00	\$ 161.00
70**-6223	24" LAMINATE MODESTY PANEL	1	\$ 94.00	\$ 94.00
70**-834	BOX/BOX/FILE PEDESTAL 18X24	1	\$ 573.00	\$ 573.00
70**-173	72" DESK DECK	1	\$ 456.00	\$ 456.00



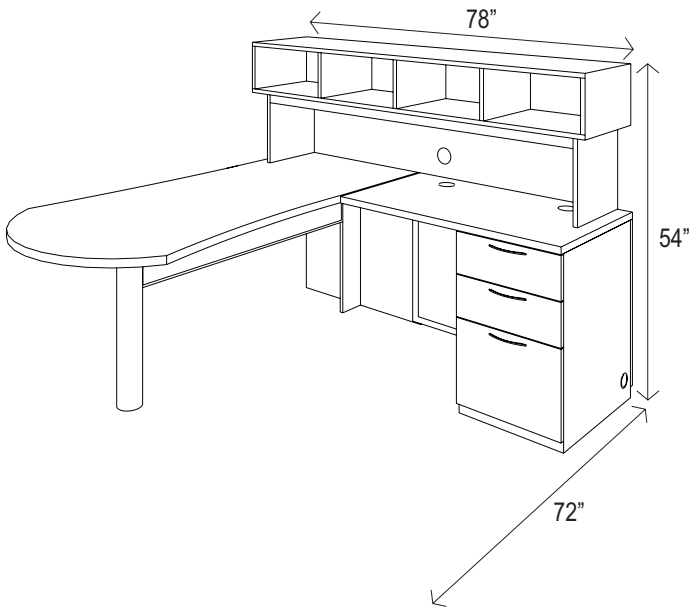
* Helpful Hint: This typical can also be constructed with rectangular shaped tops such as -8211, -9211, -6211, -6201, and-6202

TYPICAL TOTAL

\$ 2238.00

OPN.L.006 GLASS

PART NO.	DESCRIPTION	QTY	LIST PRICE	TOTAL
70**-7210	72 X 36 FAN SHAPED DESK	1	\$ 954.00	\$ 954.00
70**-6205	42" BRIDGE/RETURN TOP	1	\$ 161.00	\$ 161.00
7049-6223WG	24" WHITE GLASS MODESTY PANEL	1	\$ 252.00	\$ 252.00
70**-834	BOX/BOX/FILE PEDESTAL 18X24	1	\$ 573.00	\$ 573.00
70**-173	72" DESK DECK	1	\$ 456.00	\$ 456.00



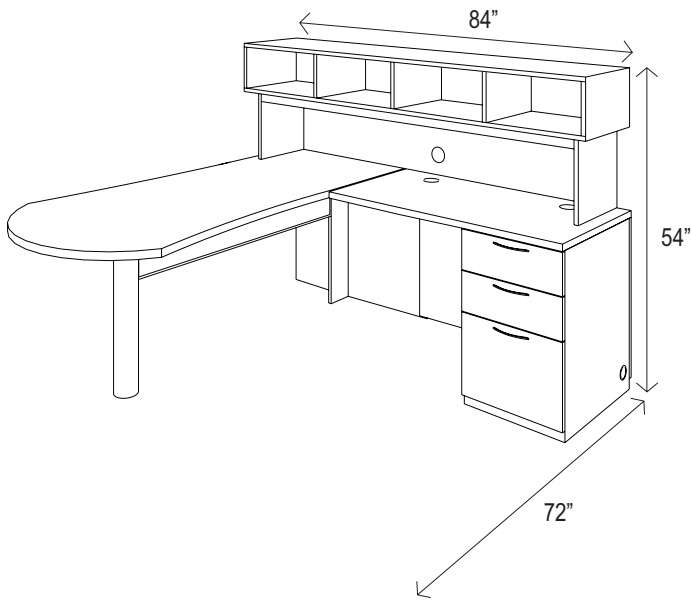
* Helpful Hint: This typical can also be constructed with rectangular shaped tops such as -8211, -9211, -6211, -6201, and-6202

TYPICAL TOTAL

\$ 2396.00

** Must choose finish from available colors
40 Mocha, 41 Honey Maple, 42 Mahogany, 43 White, 47 Walnut

OPN.L.007 LAMINATE

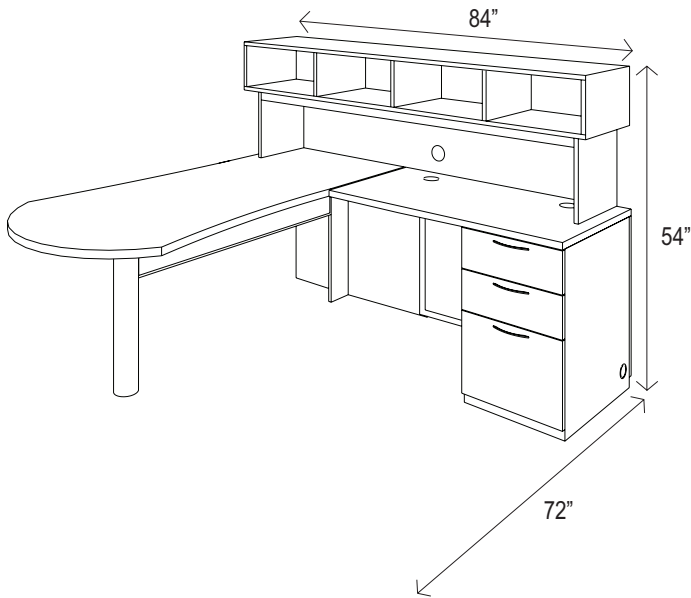


PART NO.	DESCRIPTION	QTY	LIST PRICE	TOTAL
70**-7210	72 X 36 FAN SHAPED DESK	1	\$ 954.00	\$ 954.00
70**-6203	48" BRIDGE/RETURN TOP	1	\$ 192.00	\$ 192.00
70**-9222	30" LAMINATE MODESTY PANEL	1	\$ 99.00	\$ 99.00
70**-834	BOX/BOX/FILE PEDESTAL 18X24	1	\$ 573.00	\$ 573.00
70**-173	72" DESK DECK	1	\$ 456.00	\$ 456.00

TYPICAL TOTAL

\$ 2274.00

OPN.L.007 GLASS



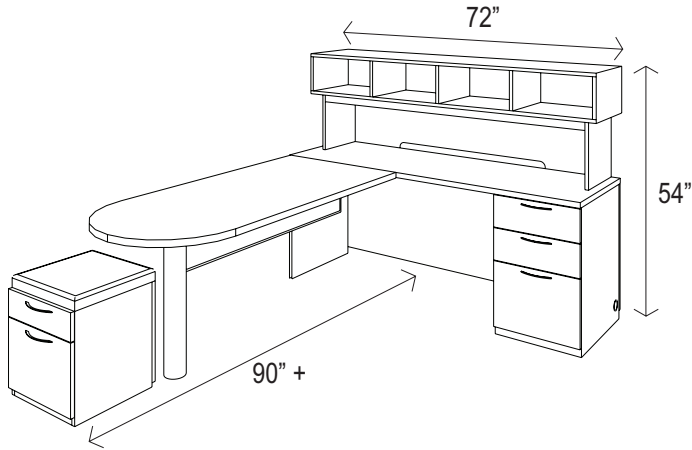
PART NO.	DESCRIPTION	QTY	LIST PRICE	TOTAL
70**-7210	72 X 36 FAN SHAPED DESK	1	\$ 954.00	\$ 954.00
70**-6203	48" BRIDGE/RETURN TOP	1	\$ 192.00	\$ 192.00
7049-9223WG	30" WHITE GLASS MODESTY PANEL	1	\$ 307.00	\$ 307.00
70**-834	BOX/BOX/FILE PEDESTAL 18X24	1	\$ 573.00	\$ 573.00
70**-173	72" DESK DECK	1	\$ 456.00	\$ 456.00

TYPICAL TOTAL

\$ 2482.00

OPN.L.008

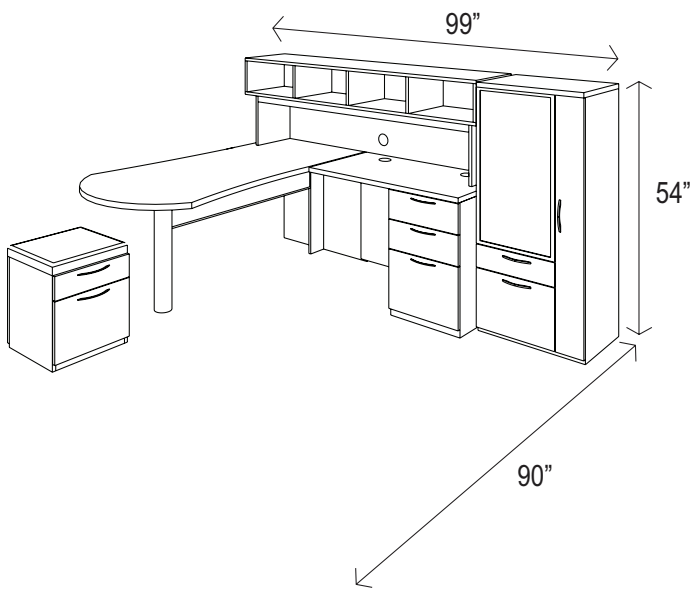
PART NO.	DESCRIPTION	QTY	LIST PRICE	TOTAL
70**-6210	66" CONFERENCE EXTENSION	1	\$ 595.00	\$ 595.00
70**-6201	72" CREDENZA TOP	1	\$ 268.00	\$ 268.00
7049-1192	TOP SUPPORT RAIL 50"	1	\$ 68.00	\$ 68.00
70**-4223	54" LAMINATE MODESTY PANEL	1	\$ 166.00	\$ 166.00
70**-834	BOX/BOX/FILE PEDESTAL 18X24	1	\$ 573.00	\$ 573.00
70**-1172	CREDENZA END PANEL/WING END	1	\$ 92.00	\$ 92.00
70**-70	MOBILE PEDESTAL	1	\$ 494.00	\$ 494.00
70**-173	72" DESK DECK	1	\$ 456.00	\$ 456.00



TYPICAL TOTAL

\$ 2712.00

OPN.L.009 LAMINATE



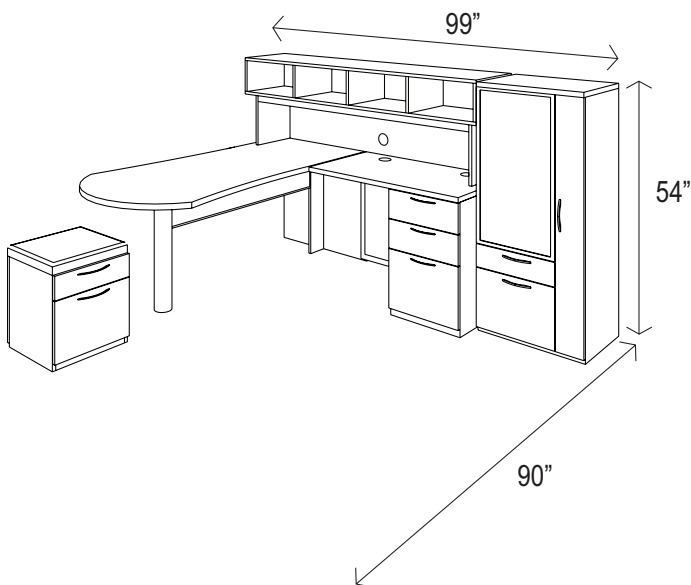
PART NO.	DESCRIPTION	QTY	LIST PRICE	TOTAL
70**-7210	72 X 36 FAN SHAPED DESK	1	\$ 954.00	\$ 954.00
70**-6205	42" BRIDGE/RETURN TOP	1	\$ 161.00	\$ 161.00
70**-6223	24" LAMINATE MODESTY PANEL	1	\$ 94.00	\$ 94.00
70**-834	BOX/BOX/FILE PEDESTAL 18X24	1	\$ 573.00	\$ 573.00
70**-70	MOBILE PEDESTAL	1	\$ 494.00	\$ 494.00
70**-173	72" DESK DECK	1	\$ 456.00	\$ 456.00
70**-03RH	MINI TOWER CABINET RIGHT HANDED	1	\$ 1159.00	\$ 1159.00

* Helpful Hint: This typical can also be constructed with rectangular shaped tops such as -8211, -9211, -6211, -6201, and-6202

TYPICAL TOTAL

\$ 3891.00

OPN.L.009 GLASS



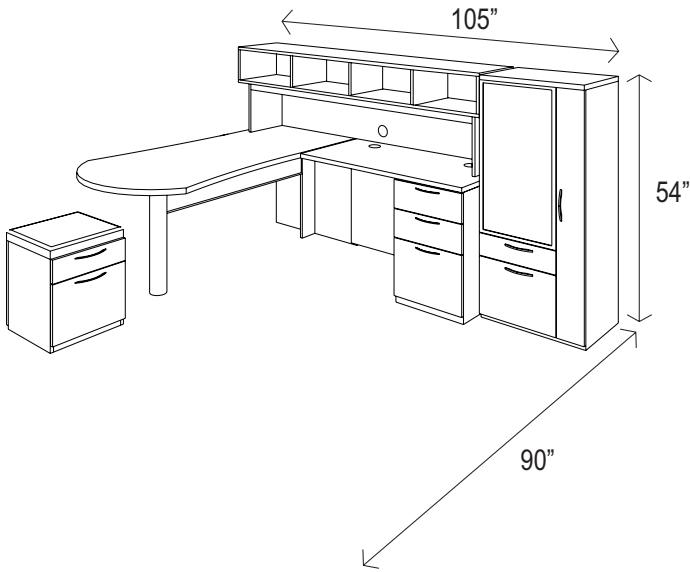
PART NO.	DESCRIPTION	QTY	LIST PRICE	TOTAL
70**-7210	72 X 36 FAN SHAPED DESK	1	\$ 954.00	\$ 954.00
70**-6205	42" BRIDGE/RETURN TOP	1	\$ 161.00	\$ 161.00
7049-6223WG	24" WHITE GLASS MODESTY PANEL	1	\$ 252.00	\$ 252.00
70**-834	BOX/BOX/FILE PEDESTAL 18X24	1	\$ 573.00	\$ 573.00
70**-70	MOBILE PEDESTAL	1	\$ 494.00	\$ 494.00
70**-173	72" DESK DECK	1	\$ 456.00	\$ 456.00
70**-03RH	MINI TOWER CABINET RIGHT HANDED	1	\$ 1159.00	\$ 1159.00

* Helpful Hint: This typical can also be constructed with rectangular shaped tops such as -8211, -9211, -6211, -6201, and-6202

TYPICAL TOTAL

\$ 4049.00

OPN.L.010 LAMINATE

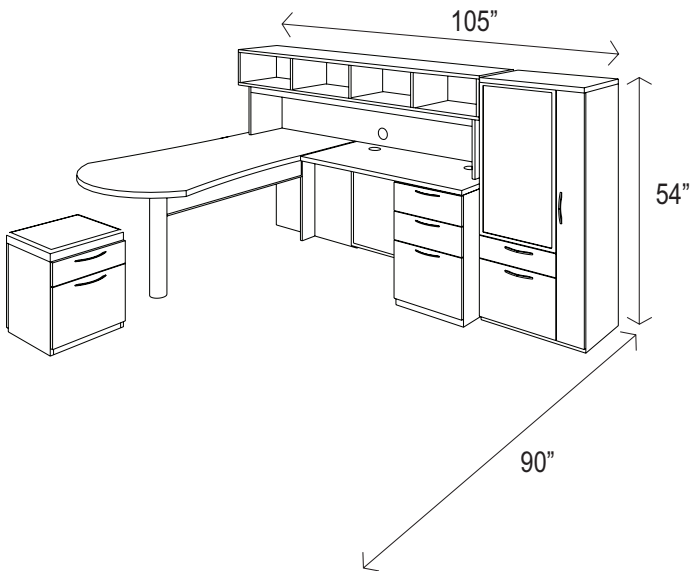


PART NO.	DESCRIPTION	QTY	LIST PRICE	TOTAL
70**-7210	72 X 36 FAN SHAPED DESK	1	\$ 954.00	\$ 954.00
70**-6203	48" BRIDGE/RETURN TOP	1	\$ 192.00	\$ 192.00
70**-9222	30" LAMINATE MODESTY PANEL	1	\$ 99.00	\$ 99.00
70**-834	BOX/BOX/FILE PEDESTAL 18X24	1	\$ 573.00	\$ 573.00
70**-70	MOBILE PEDESTAL	1	\$ 494.00	\$ 494.00
70**-173	72" DESK DECK	1	\$ 456.00	\$ 456.00
70**-03RH	MINI TOWER CABINET RIGHT HANDED	1	\$ 1159.00	\$ 1159.00

TYPICAL TOTAL

\$ 3927.00

OPN.L.010 GLASS



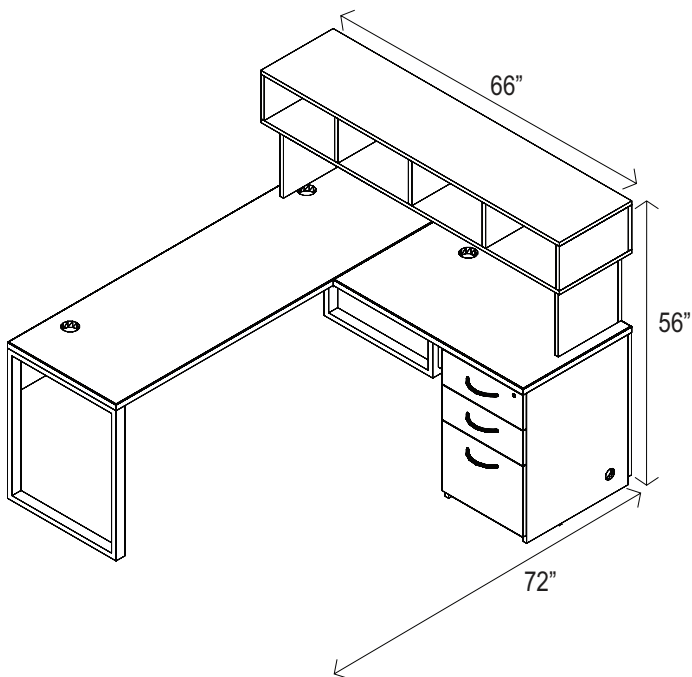
PART NO.	DESCRIPTION	QTY	LIST PRICE	TOTAL
70**-7210	72 X 36 FAN SHAPED DESK	1	\$ 954.00	\$ 954.00
70**-6203	48" BRIDGE/RETURN TOP	1	\$ 192.00	\$ 192.00
7049-9223WG	30" WHITE GLASS MODESTY PANEL	1	\$ 307.00	\$ 307.00
70**-834	BOX/BOX/FILE PEDESTAL 18X24	1	\$ 573.00	\$ 573.00
70**-70	MOBILE PEDESTAL	1	\$ 494.00	\$ 494.00
70**-173	72" DESK DECK	1	\$ 456.00	\$ 456.00
70**-03RH	MINI TOWER CABINET RIGHT HANDED	1	\$ 1159.00	\$ 1159.00

TYPICAL TOTAL

\$ 4135.00

** Must choose finish from available colors
 40 Mocha, 41 Honey Maple, 42 Mahogany, 43 White, 47 Walnut

OPN.L.011 LAMINATE

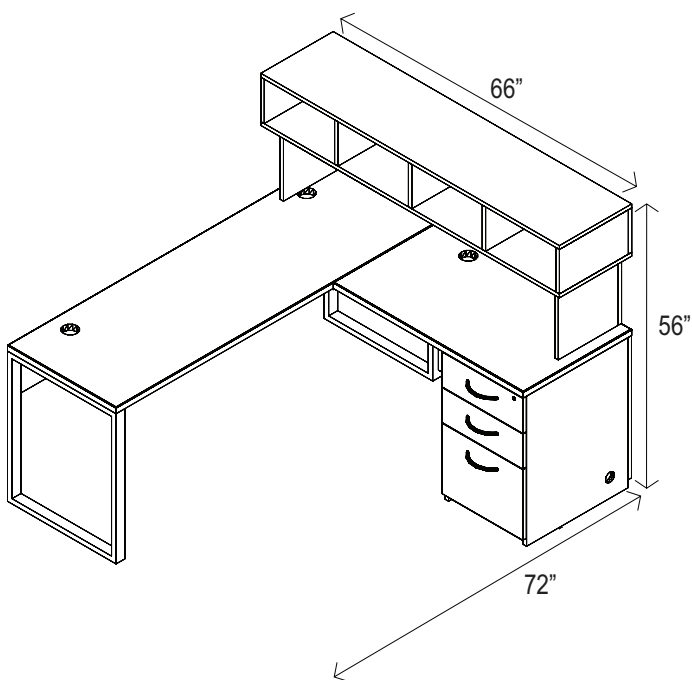


PART NO.	DESCRIPTION	QTY	LIST PRICE	TOTAL
70**-6201	72" CREENZA TOP	1	\$ 268.00	\$ 268.00
70**-6205	42" BRIDGE/RETURN TOP	1	\$ 161.00	\$ 161.00
7049-1191	TOP SUPPORT RAILS 60"	1	\$ 78.00	\$ 78.00
70**-7226	68" HOME OFFICE MODESTY PANEL	1	\$ 118.00	\$ 118.00
70**-6223	24" LAMINATE MODESTY PANEL	1	\$ 94.00	\$ 94.00
70**-834	BOX/BOX/FILE PEDESTAL, 18 X 24	1	\$ 573.00	\$ 573.00
7049-5902	END SUPPORT FRAME	2	\$ 155.00	\$ 310.00
70**-163	66" DESK DECK	1	\$ 423.00	\$ 423.00

TYPICAL TOTAL

\$ 2025.00

OPN.L.011 GLASS

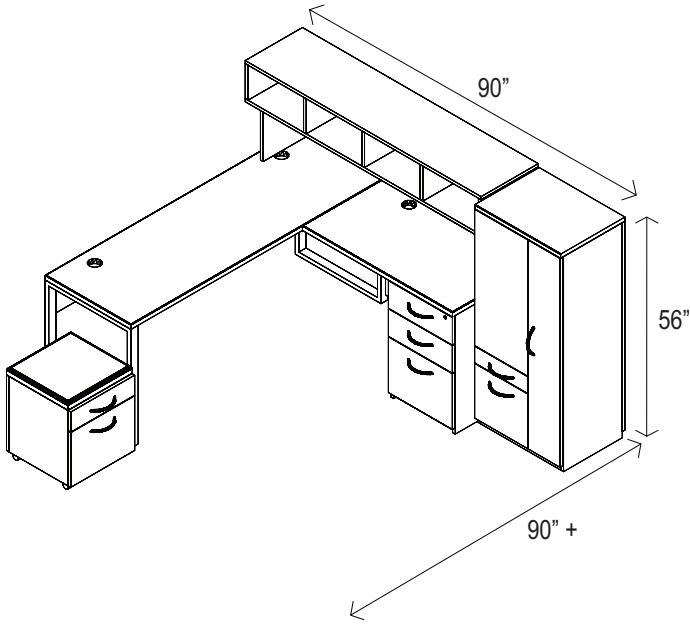


PART NO.	DESCRIPTION	QTY	LIST PRICE	TOTAL
70**-6201	72" CREENZA TOP	1	\$ 268.00	\$ 268.00
70**-6205	42" BRIDGE/RETURN TOP	1	\$ 161.00	\$ 161.00
7049-1191	TOP SUPPORT RAILS 60"	1	\$ 78.00	\$ 78.00
70**-7226	68" HOME OFFICE MODESTY PANEL	1	\$ 118.00	\$ 118.00
7049-6223WG	24" WHITE GLASS MODESTY PANEL	1	\$ 252.00	\$ 252.00
70**-834	BOX/BOX/FILE PEDESTAL, 18 X 24	1	\$ 573.00	\$ 573.00
7049-5902	END SUPPORT FRAME	2	\$ 155.00	\$ 310.00
70**-163	66" DESK DECK	1	\$ 423.00	\$ 423.00

TYPICAL TOTAL

\$ 2183.00

OPN.L.012 LAMINATE

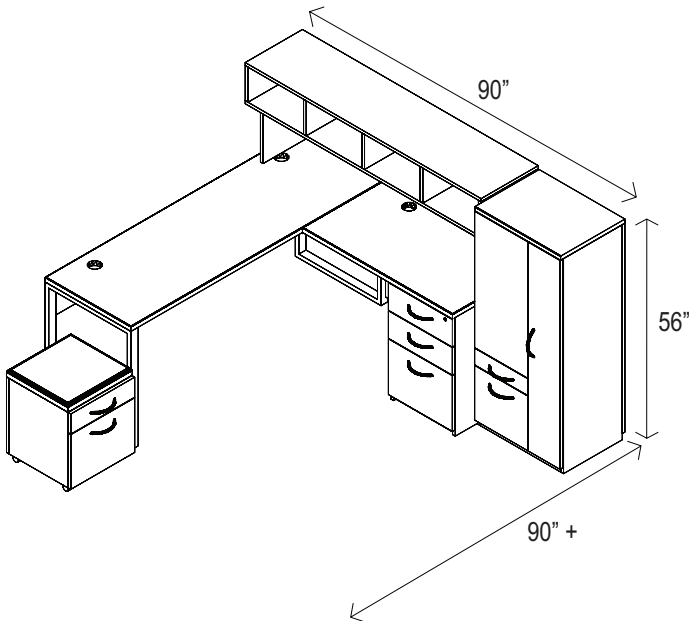


PART NO.	DESCRIPTION	QTY	LIST PRICE	TOTAL
70**-6201	72" CREDENZA TOP	1	\$ 268.00	\$ 268.00
70**-6205	42" BRIDGE/RETURN TOP	1	\$ 161.00	\$ 161.00
7049-1191	TOP SUPPORT RAILS 60"	1	\$ 78.00	\$ 78.00
70**-7226	68" HOME OFFICE MODESTY PANEL	1	\$ 118.00	\$ 118.00
70**-6223	24" LAMINATE MODESTY PANEL	1	\$ 94.00	\$ 94.00
70**-834	BOX/BOX/FILE PEDESTAL, 18 X 24	1	\$ 573.00	\$ 573.00
7049-5902	END SUPPORT FRAME	2	\$ 155.00	\$ 310.00
70**-70	MOBILE PEDESTAL	1	\$ 494.00	\$ 494.00
70**-163	66" DESK DECK	1	\$ 423.00	\$ 423.00
70**-03RH	MINI TOWER CABINET, RIGHT	1	\$ 1159.00	\$ 1159.00

TYPICAL TOTAL

\$ 3678.00

OPN.L.012 GLASS



PART NO.	DESCRIPTION	QTY	LIST PRICE	TOTAL
70**-6201	72" CREDENZA TOP	1	\$ 268.00	\$ 268.00
70**-6205	42" BRIDGE/RETURN TOP	1	\$ 161.00	\$ 161.00
7049-1191	TOP SUPPORT RAILS 60"	1	\$ 78.00	\$ 78.00
70**-7226	68" HOME OFFICE MODESTY PANEL	1	\$ 118.00	\$ 118.00
70**-6223	24" WHITE GLASS MODESTY PANEL	1	\$ 252.00	\$ 252.00
70**-834	BOX/BOX/FILE PEDESTAL, 18 X 24	1	\$ 573.00	\$ 573.00
7049-5902	END SUPPORT FRAME	2	\$ 155.00	\$ 310.00
70**-70	MOBILE PEDESTAL	1	\$ 494.00	\$ 494.00
70**-163	66" DESK DECK	1	\$ 423.00	\$ 423.00
70**-03RH	MINI TOWER CABINET, RIGHT	1	\$ 1159.00	\$ 1159.00

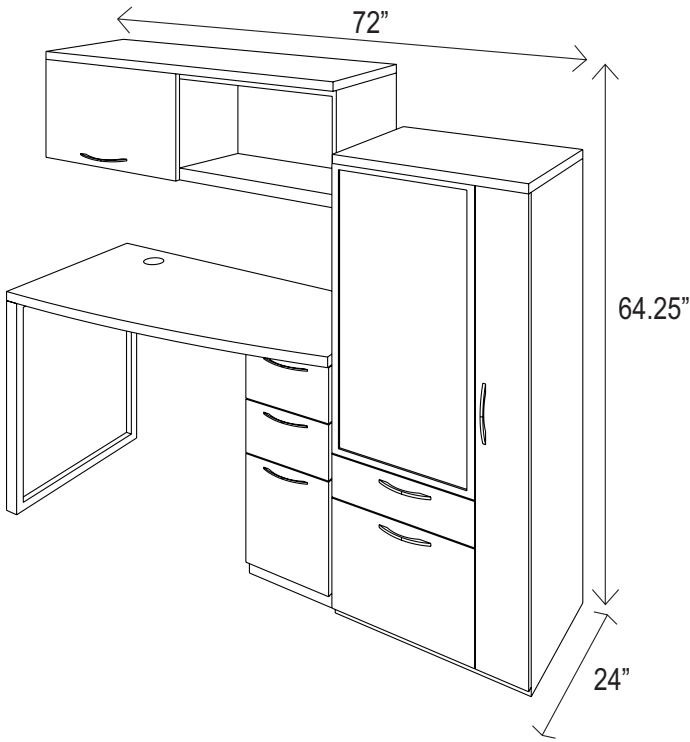
TYPICAL TOTAL

\$ 3836.00

**** Must choose finish from available colors
40 Mocha, 41 Honey Maple, 42 Mahogany, 43 White, 47 Walnut**

SMALL OFFICE / HOME OFFICE (SH)

SH.T.001 LAMINATE

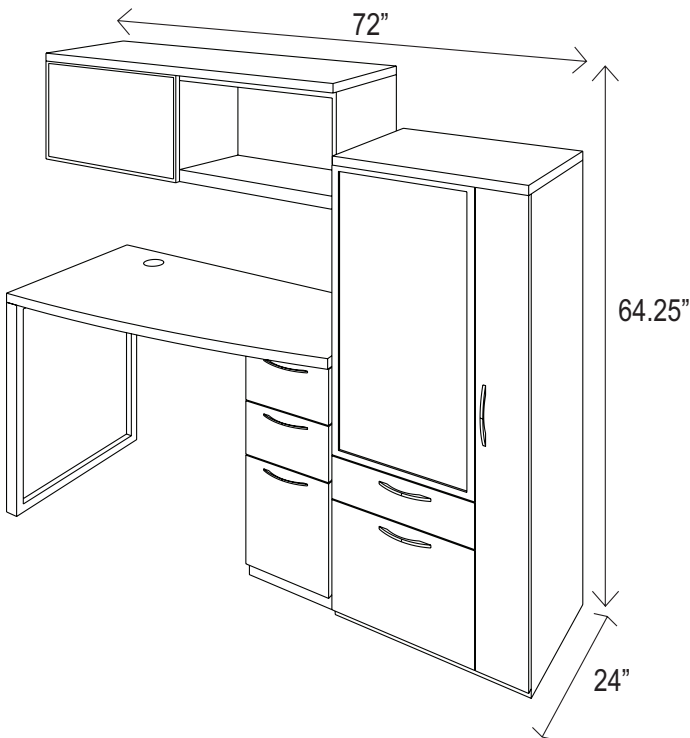


PART NO.	DESCRIPTION	QTY	LIST PRICE	TOTAL
70**-6204L	48" HOME OFFICE TOP, LEFT	1	\$ 192.00	\$ 192.00
70**-S531	BOX/BOX/FILE HOME OFFICE SUPPORT PED1		\$ 423.00	\$ 423.00
7049-5902	END SUPPORT FRAME	1	\$ 155.00	\$ 155.00
70**-402	48" WALL CABINET	1	\$ 391.00	\$ 391.00
70**-4021	LAMINATE DOORS FOR 48" WALL CABINET	1	\$ 80.00	\$ 80.00
70**-03RH	MINI TOWER CABINET, RIGHT	1	\$ 1159.00	\$ 1159.00

TYPICAL TOTAL

\$ 2400.00

SH.T.001 GLASS

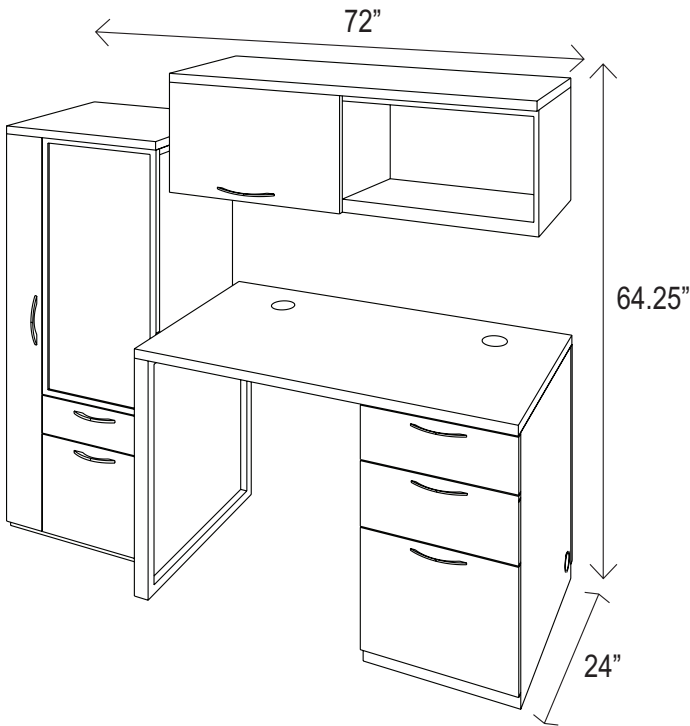


PART NO.	DESCRIPTION	QTY	LIST PRICE	TOTAL
70**-6204L	48" HOME OFFICE TOP, LEFT	1	\$ 192.00	\$ 192.00
70**-S531	BOX/BOX/FILE HOME OFFICE SUPPORT PED1		\$ 423.00	\$ 423.00
7049-5902	END SUPPORT FRAME	1	\$ 155.00	\$ 155.00
7049-5901WG	WHITE GLASS SUPPORT INSERT	1	\$ 239.00	\$ 239.00
70**-402	48" WALL CABINET	1	\$ 391.00	\$ 391.00
7049-4021WG	WHITE GLASS DOORS FOR 48" CABINET	1	\$ 187.00	\$ 187.00
70**-03RH	MINI TOWER CABINET, RIGHT	1	\$ 1159.00	\$ 1159.00

TYPICAL TOTAL

\$ 2746.00

SH.T.002 LAMINATE

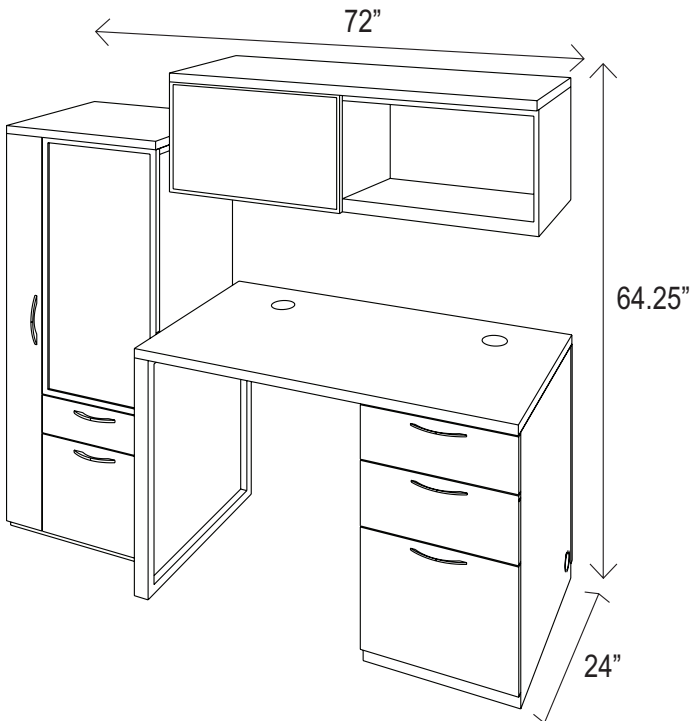


PART NO.	DESCRIPTION	QTY	LIST PRICE	TOTAL
70**-6203	48" BRIDGE/RETURN TOP	1	\$ 192.00	\$ 192.00
70**-834	BOX/BOX/FILE PEDESTAL 18X24	1	\$ 573.00	\$ 573.00
7049-5902	END SUPPORT FRAME	1	\$ 155.00	\$ 155.00
70**-402	48" WALL CABINET	1	\$ 391.00	\$ 391.00
70**-4021	LAMINATE DOORS FOR 48" WALL CABINET	1	\$ 80.00	\$ 80.00
70**-03LH	MINI TOWER CABINET, LEFT	1	\$ 1159.00	\$ 1159.00

TYPICAL TOTAL

\$ 2550.00

SH.T.002 GLASS



PART NO.	DESCRIPTION	QTY	LIST PRICE	TOTAL
70**-6203	48" BRIDGE/RETURN TOP	1	\$ 192.00	\$ 192.00
70**-834	BOX/BOX/FILE PEDESTAL 18X24	1	\$ 573.00	\$ 573.00
7049-5902	END SUPPORT FRAME	1	\$ 155.00	\$ 155.00
7049-5901WG	WHITE GLASS SUPPORT INSERT	1	\$ 239.00	\$ 239.00
70**-402	48" WALL CABINET	1	\$ 391.00	\$ 391.00
7049-4021WG	WHITE GLASS DOORS FOR 48" CABINET	1	\$ 187.00	\$ 187.00
70**-03LH	MINI TOWER CABINET, LEFT	1	\$ 1159.00	\$ 1159.00

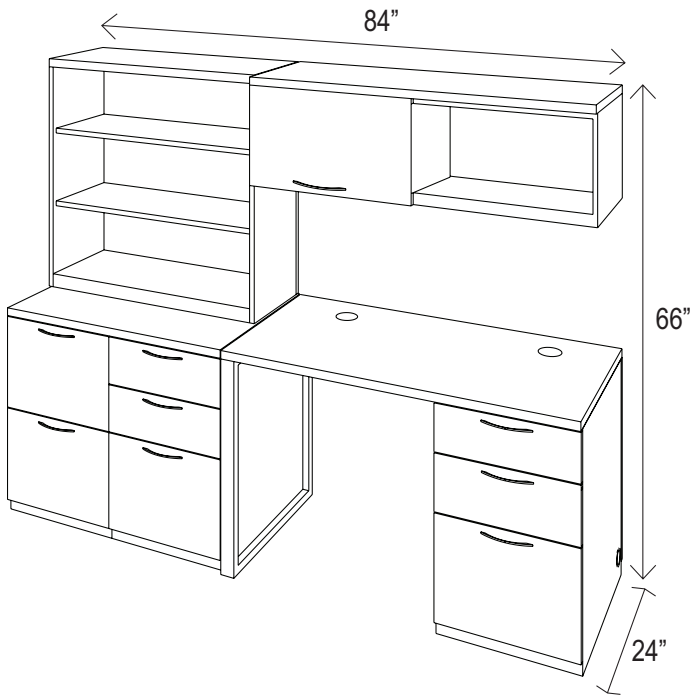
TYPICAL TOTAL

\$ 2896.00

** Must choose finish from available colors
 40 Mocha, 41 Honey Maple, 42 Mahogany, 43 White, 47 Walnut

SH.T.003 LAMINATE

KIT # 70**-SH543

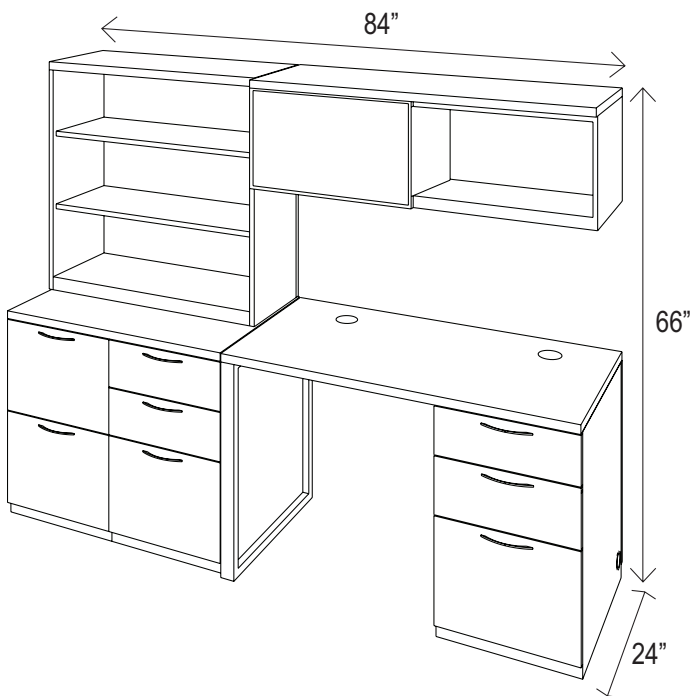


PART NO.	DESCRIPTION	QTY	LIST PRICE	TOTAL
70**-6203	48" BRIDGE/RETURN TOP	1	\$ 192.00	\$ 192.00
70**-8271	36" LATERAL FILE TOP	1	\$ 134.00	\$ 134.00
70**-833	FILE/FILE PEDESTAL, 18X24	1	\$ 573.00	\$ 573.00
70**-834	BOX/BOX/FILE PEDESTAL, 18X24	2	\$ 573.00	\$ 1146.00
7049-5902	END SUPPORT FRAME	1	\$ 155.00	\$ 155.00
70**-402	48" WALL CABINET	1	\$ 391.00	\$ 391.00
70**-4021	LAMINATE DOORS FOR 48" WALL CABINET	1	\$ 80.00	\$ 80.00
70**-148	36" BOOKCASE	1	\$ 391.00	\$ 391.00

TYPICAL TOTAL

\$ 3062.00

SH.T.003 GLASS

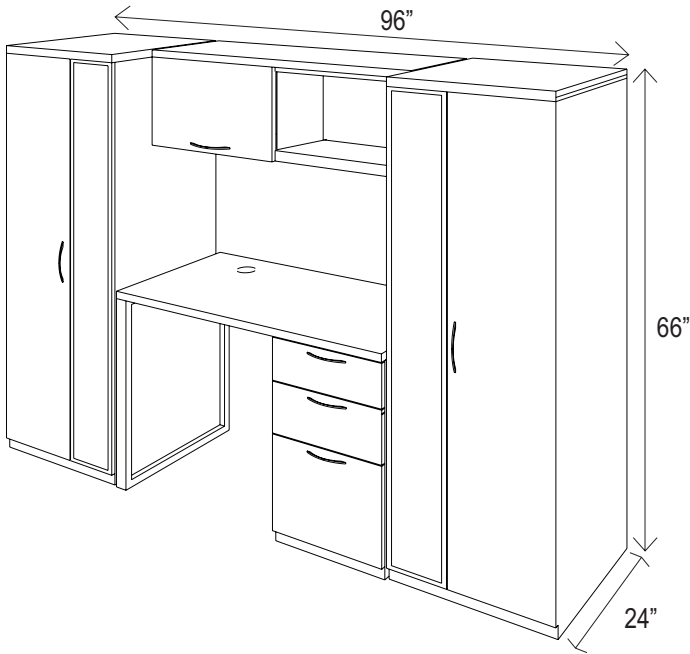


PART NO.	DESCRIPTION	QTY	LIST PRICE	TOTAL
70**-6203	48" BRIDGE/RETURN TOP	1	\$ 192.00	\$ 192.00
70**-8271	36" LATERAL FILE TOP	1	\$ 134.00	\$ 134.00
70**-833	FILE/FILE PEDESTAL, 18X24	1	\$ 573.00	\$ 573.00
70**-834	BOX/BOX/FILE PEDESTAL, 18X24	2	\$ 573.00	\$ 1146.00
7049-5902	END SUPPORT FRAME	1	\$ 155.00	\$ 155.00
7049-5901WG	WHITE GLASS SUPPORT INSERT	1	\$ 239.00	\$ 239.00
70**-402	48" WALL CABINET	1	\$ 391.00	\$ 391.00
7049-4021WG	WHITE GLASS DOORS FOR 48" CABINET	1	\$ 187.00	\$ 187.00
70**-148	36" BOOKCASE	1	\$ 391.00	\$ 391.00

TYPICAL TOTAL

\$ 3408.00

SH.T.004 LAMINATE

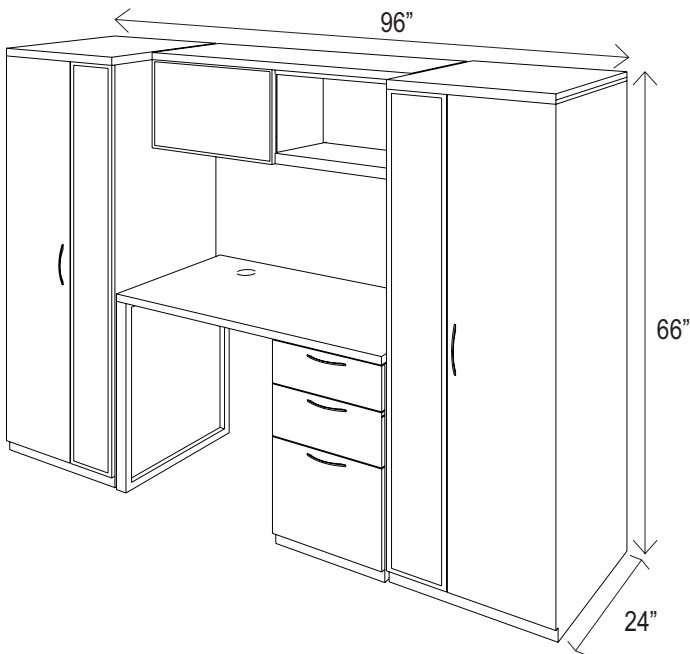


PART NO.	DESCRIPTION	QTY	LIST PRICE	TOTAL
70**-6203	48" BRIDGE/RETURN TOP	1	\$ 192.00	\$ 192.00
70**-834	BOX/BOX/FILE PEDESTAL 18X24	1	\$ 573.00	\$ 573.00
7049-5902	END SUPPORT FRAME	1	\$ 155.00	\$ 155.00
70**-402	48" WALL CABINET	1	\$ 391.00	\$ 391.00
70**-4021	LAMINATE DOORS FOR 48" WALL CABINET	1	\$ 80.00	\$ 80.00
70**-08LH	WARDROBE CABINET, LEFT	1	\$ 1345.00	\$ 1345.00
70**-08RH	WARDROBE CABINET, RIGHT	1	\$ 1345.00	\$ 1345.00

TYPICAL TOTAL

\$ 4081.00

SH.T.004 GLASS



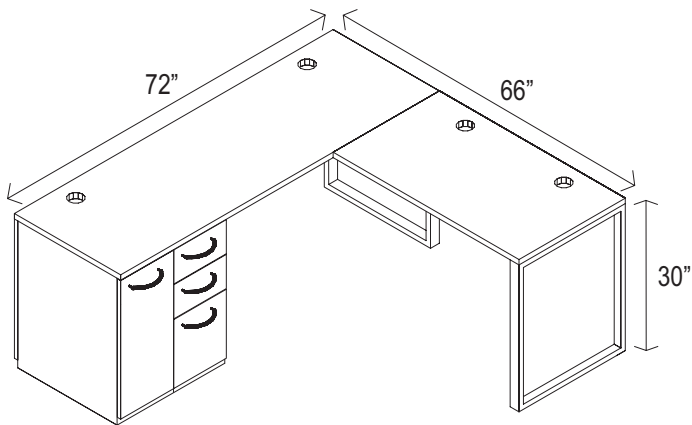
PART NO.	DESCRIPTION	QTY	LIST PRICE	TOTAL
70**-6203	48" BRIDGE/RETURN TOP	1	\$ 192.00	\$ 192.00
70**-834	BOX/BOX/FILE PEDESTAL 18X24	1	\$ 573.00	\$ 573.00
7049-5902	END SUPPORT FRAME	1	\$ 155.00	\$ 155.00
7049-5901WG	WHITE GLASS SUPPORT INSERT	1	\$ 239.00	\$ 239.00
70**-402	48" WALL CABINET	1	\$ 391.00	\$ 391.00
7049-4021WG	WHITE GLASS DOORS FOR 48" CABINET	1	\$ 187.00	\$ 187.00
70**-08LH	WARDROBE CABINET, LEFT	1	\$ 1345.00	\$ 1345.00
70**-08RH	WARDROBE CABINET, RIGHT	1	\$ 1345.00	\$ 1345.00

TYPICAL TOTAL

\$ 4427.00

** Must choose finish from available colors
 40 Mocha, 41 Honey Maple, 42 Mahogany, 43 White, 47 Walnut

SH.L.005

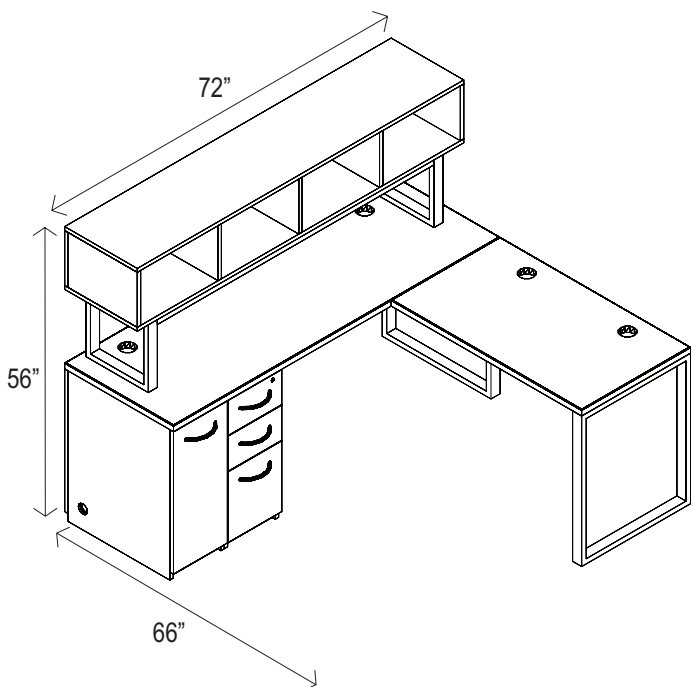


PART NO.	DESCRIPTION	QTY	LIST PRICE	TOTAL
70**-6201	72" CREENZA TOP	1	\$ 268.00	\$ 268.00
70**-6205	42" BRIDGE/RETURN TOP	1	\$ 161.00	\$ 161.00
7049-1193	TOP SUPPORT RAILS 44"	1	\$ 57.00	\$ 57.00
70**-6225	46" HOME OFFICE MODESTY PANEL	1	\$ 97.00	\$ 97.00
70**-S731	BOX\BOX\FILE HOME OFFICE PEDESTAL	1	\$ 483.00	\$ 483.00
70**-S734	DOOR HOME OFFICE PEDESTAL	1	\$ 337.00	\$ 337.00
7049-5902	END SUPPORT FRAME	2	\$ 155.00	\$ 310.00

TYPICAL TOTAL

\$ 1713.00

SH.L.006



PART NO.	DESCRIPTION	QTY	LIST PRICE	TOTAL
70**-6201	72" CREENZA TOP	1	\$ 268.00	\$ 268.00
70**-6205	42" BRIDGE/RETURN TOP	1	\$ 161.00	\$ 161.00
7049-1193	TOP SUPPORT RAILS 44"	1	\$ 57.00	\$ 57.00
70**-6225	46" HOME OFFICE MODESTY PANEL	1	\$ 97.00	\$ 97.00
70**-S731	BOX\BOX\FILE HOME OFFICE PEDESTAL	1	\$ 483.00	\$ 483.00
70**-S734	DOOR HOME OFFICE PEDESTAL	1	\$ 337.00	\$ 337.00
7049-5902	END SUPPORT FRAME	2	\$ 155.00	\$ 310.00
70**-1107	72" HANGING/DECK STORAGE	1	\$ 401.00	\$ 401.00
7049-111	DECK STORAGE SUPPORT FRAME	1	\$ 316.00	\$ 316.00

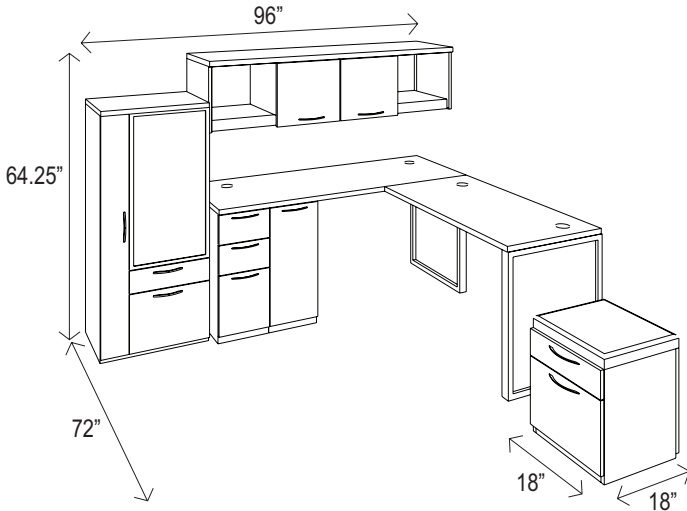
TYPICAL TOTAL

\$ 2430.00

* Helpful Hint: This typical can also be constructed with a -173 desk deck

** Must choose finish from available colors
40 Mocha, 41 Honey Maple, 42 Mahogany, 43 White, 47 Walnut

SH.L.007 LAMINATE



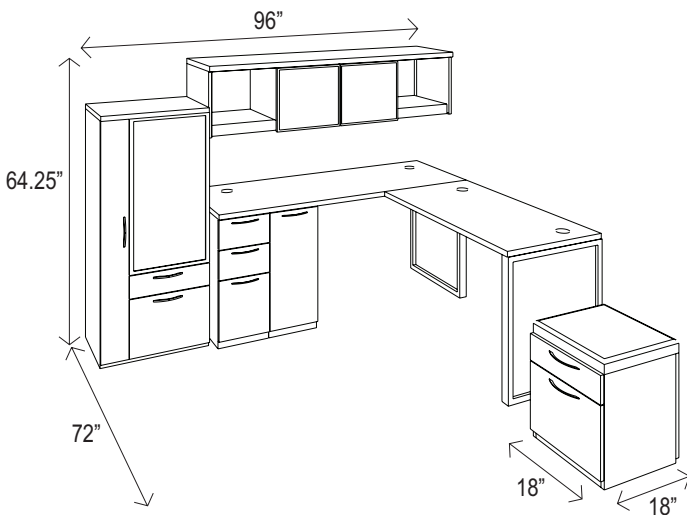
PART NO.	DESCRIPTION	QTY	LIST PRICE	TOTAL
70**-6201	72" CREENZA TOP	1	\$ 268.00	\$ 268.00
70**-6203	48" BRIDGE/RETURN TOP	1	\$ 192.00	\$ 192.00
7049-1193	TOP SUPPORT RAILS 44"	2	\$ 57.00	\$ 114.00
70**-6225	46" HOME OFFICE MODESTY PANEL	1	\$ 97.00	\$ 97.00
70**-S731	BOX\BOX\FILE HOME OFFICE PEDESTAL	1	\$ 483.00	\$ 483.00
70**-S734	DOOR HOME OFFICE PEDESTAL	1	\$ 337.00	\$ 337.00
7049-5902	END SUPPORT FRAME	2	\$ 155.00	\$ 310.00
70**-70	MOBILE PEDESTAL	1	\$ 494.00	\$ 494.00
70**-404	72" WALL CABINET	1	\$ 525.00	\$ 525.00
70**-4046	LAMINATE DOORS FOR 72" WALL CABINET	1	\$ 120.00	\$ 120.00
70**-03LH	MINI TOWER CABINET LEFT HANDED	1	\$ 1159.00	\$ 1159.00

* Helpful Hint: This typical can also be constructed with a -173 desk deck

TYPICAL TOTAL

\$ 4099.00

SH.L.007 GLASS



PART NO.	DESCRIPTION	QTY	LIST PRICE	TOTAL
70**-6201	72" CREENZA TOP	1	\$ 268.00	\$ 268.00
7049-5901WG	WHITE GLASS SUPPORT INSERT	2	\$ 239.00	\$ 478.00
70**-6203	48" BRIDGE/RETURN TOP	1	\$ 192.00	\$ 192.00
7049-1193	TOP SUPPORT RAILS 44"	2	\$ 57.00	\$ 114.00
70**-6225	46" HOME OFFICE MODESTY PANEL	1	\$ 97.00	\$ 97.00
70**-S731	BOX\BOX\FILE HOME OFFICE PEDESTAL	1	\$ 483.00	\$ 483.00
70**-S734	DOOR HOME OFFICE PEDESTAL	1	\$ 337.00	\$ 337.00
7049-5902	END SUPPORT FRAME	2	\$ 155.00	\$ 310.00
70**-70	MOBILE PEDESTAL	1	\$ 494.00	\$ 494.00
70**-404	72" WALL CABINET	1	\$ 525.00	\$ 525.00
7049-4046WG	WHITE GLASS DOORS FOR 72" CABINET	1	\$ 294.00	\$ 294.00
70**-03LH	MINI TOWER CABINET LEFT HANDED	1	\$ 1159.00	\$ 1159.00

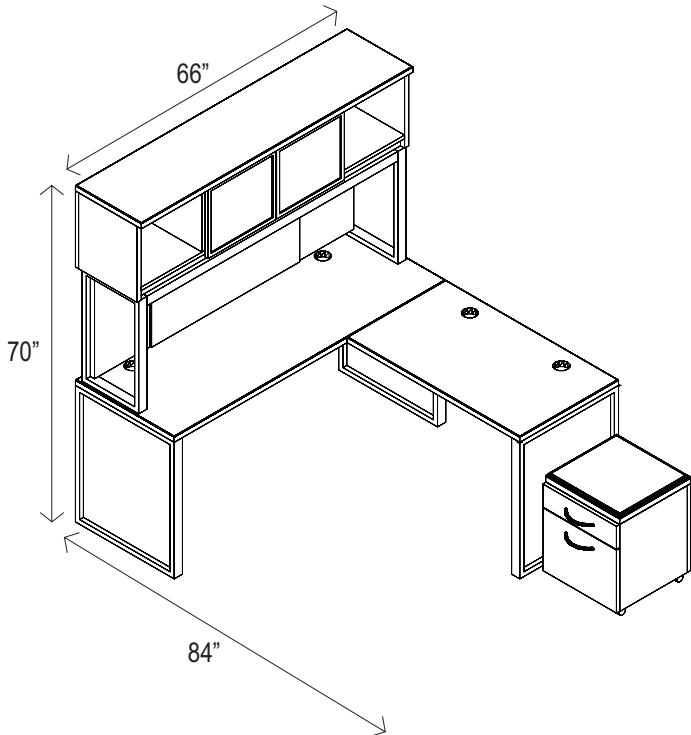
* Helpful Hint: This typical can also be constructed with a -173 desk deck

TYPICAL TOTAL

\$ 4751.00

** Must choose finish from available colors
40 Mocha, 41 Honey Maple, 42 Mahogany, 43 White, 47 Walnut

SH.L.008



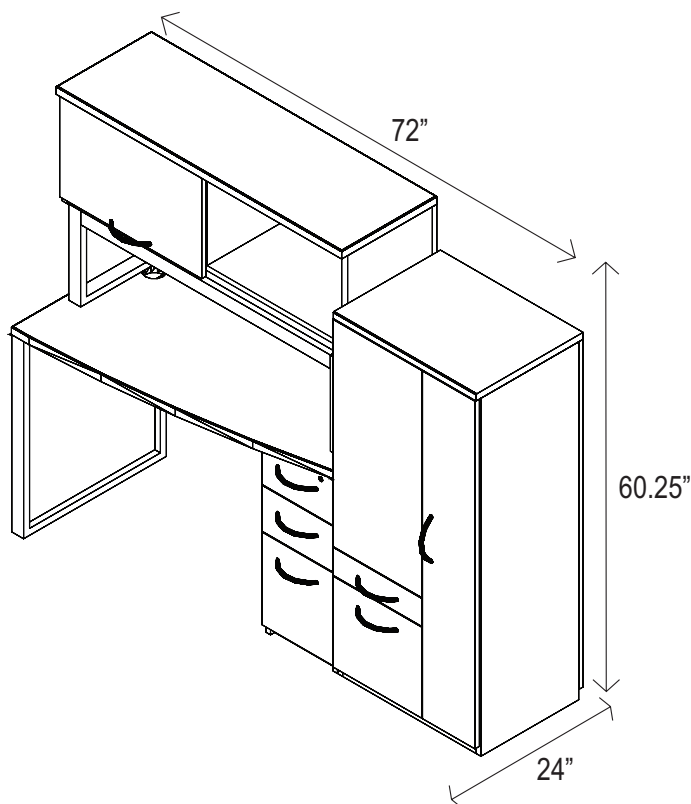
PART NO.	DESCRIPTION	QTY	LIST PRICE	TOTAL
70**-6202	66" CREENZA TOP	1	\$ 252.00	\$ 252.00
70**-6205	42" BRIDGE/RETURN TOP	1	\$ 161.00	\$ 161.00
7049-1192	TOP SUPPORT RAILS 50"	1	\$ 68.00	\$ 68.00
70**-7225	62" HOME OFFICE MODESTY PANEL	1	\$ 118.00	\$ 118.00
70**-6224	40" HOME OFFICE MODESTY PANEL	1	\$ 97.00	\$ 97.00
7049-5902	END SUPPORT FRAME	3	\$ 155.00	\$ 465.00
7049-5901WG	WHITE GLASS SUPPORT INSERT	3	\$ 239.00	\$ 717.00
70**-70	MOBILE PEDESTAL	1	\$ 494.00	\$ 494.00
70**-403	66" WALL CABINET	1	\$ 483.00	\$ 483.00
7049-4036WG	WHITE GLASS DOORS FOR 66" CABINET	1	\$ 284.00	\$ 284.00
7049-109	DECK STORAGE SUPPORT FRAME	1	\$ 390.00	\$ 390.00
70**-110622	DECK BACK PANEL 21.75"H	1	\$ 161.00	\$ 161.00

* Helpful Hint: This typical can also be constructed with a -173 desk deck

TYPICAL TOTAL

\$ 3690.00

SH.T.009



PART NO.	DESCRIPTION	QTY	LIST PRICE	TOTAL
70**-6204L	48" HOME OFFICE TOP, LEFT	1	\$ 192.00	\$ 192.00
70**-S531	BOX/BOX/FILE HOME OFFICE PEDESTAL	1	\$ 423.00	\$ 423.00
7049-5902	END SUPPORT FRAME	1	\$ 155.00	\$ 155.00
7049-5901WG	WHITE GLASS SUPPORT INSERT	1	\$ 239.00	\$ 239.00
70**-402	48" WALL CABINET	1	\$ 391.00	\$ 391.00
70**-4021	LAMINATE DOORS FOR 48" WALL CABINET	1	\$ 80.00	\$ 80.00
7049-111	DECK STORAGE SUPPORT FRAME	1	\$ 316.00	\$ 316.00
70**-40212	DECK BACK PANEL 12"H	1	\$ 68.00	\$ 68.00
70**-03RH	MINI TOWER CABINET, RIGHT	1	\$ 1159.00	\$ 1159.00

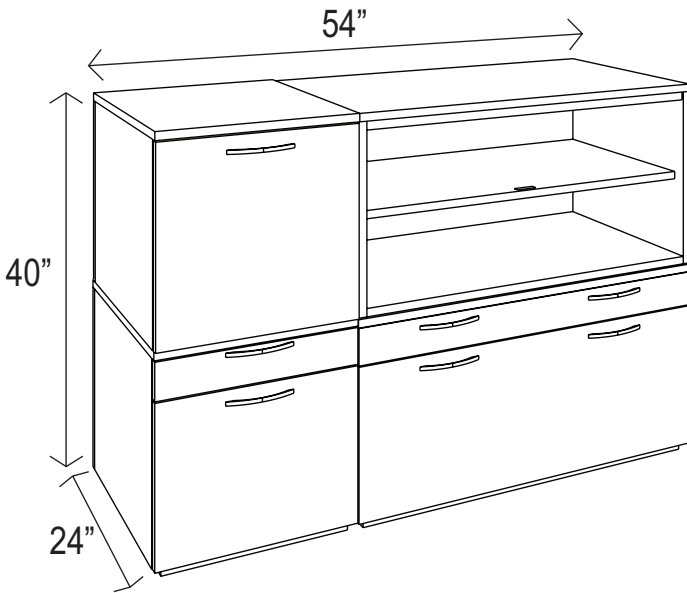
TYPICAL TOTAL

\$ 3023.00

BENCHING (BN)

BN.S.001

KIT # 7043-BN9



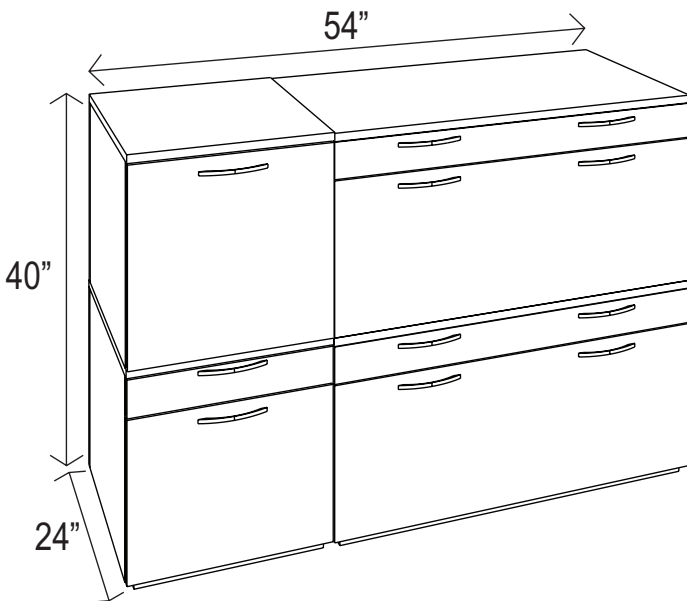
PART NO.	DESCRIPTION	QTY	LIST PRICE	TOTAL
7043-S827	BENCH HEIGHT BOX/LATERAL FILE PED	1	\$ 825.00	\$ 825.00
7043-S837	BENCH HEIGHT PEDESTAL	1	\$ 619.00	\$ 619.00
7043-S834L	LEFT BENCH HEIGHT DOOR PEDESTAL	1	\$ 391.00	\$ 391.00
7043-S838	BENCH HEIGHT BOX/FILE PEDESTAL	1	\$ 509.00	\$ 509.00

TYPICAL TOTAL

\$ 2344.00

BN.S.002

KIT # 7043-BN8



PART NO.	DESCRIPTION	QTY	LIST PRICE	TOTAL
7043-S827	BENCH HEIGHT BOX/LATERAL FILE PED	2	\$ 825.00	\$ 1650.00
7043-S834L	LEFT BENCH HEIGHT DOOR PEDESTAL	1	\$ 391.00	\$ 391.00
7043-S838	BENCH HEIGHT BOX/FILE PEDESTAL	1	\$ 509.00	\$ 509.00

TYPICAL TOTAL

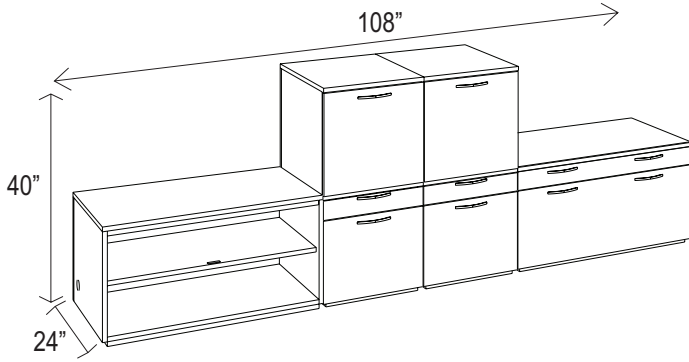
\$ 2550.00

** Must choose finish from available colors
 40 Mocha, 41 Honey Maple, 42 Mahogany, 43 White, 47 Walnut

BN.S.003

KIT # 7043-BN7

PART NO.	DESCRIPTION	QTY	LIST PRICE	TOTAL
7043-S827	BENCH HEIGHT BOX/LATERAL FILE PED	1	\$ 825.00	\$ 825.00
7043-S837	BENCH HEIGHT PEDESTAL	1	\$ 619.00	\$ 619.00
7043-S834L	LEFT BENCH HEIGHT DOOR PEDESTAL	1	\$ 391.00	\$ 391.00
7043-S834R	RIGHT BENCH HEIGHT DOOR PEDESTAL	1	\$ 391.00	\$ 391.00
7043-S838	BENCH HEIGHT BOX/FILE PEDESTAL	2	\$ 509.00	\$ 1018.00

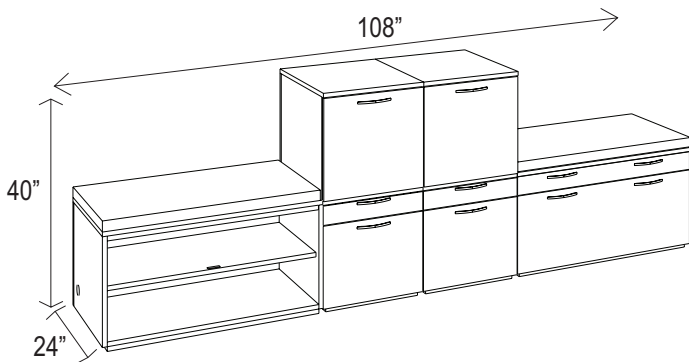


TYPICAL TOTAL

\$ 3244.00

BN.S.004

PART NO.	DESCRIPTION	QTY	LIST PRICE	TOTAL
7043-S827	BENCH HEIGHT BOX/LATERAL FILE PED	1	\$ 825.00	\$ 825.00
7043-S837	BENCH HEIGHT PEDESTAL	1	\$ 619.00	\$ 619.00
7043-S834L	LEFT BENCH HEIGHT DOOR PEDESTAL	1	\$ 391.00	\$ 391.00
7043-S834R	RIGHT BENCH HEIGHT DOOR PEDESTAL	1	\$ 391.00	\$ 391.00
7043-S838	BENCH HEIGHT BOX/FILE PEDESTAL	2	\$ 509.00	\$ 1018.00
7049-36BC-SCXX	36" BENCH CUSHIONS	2	\$ 172.00	\$ 344.00

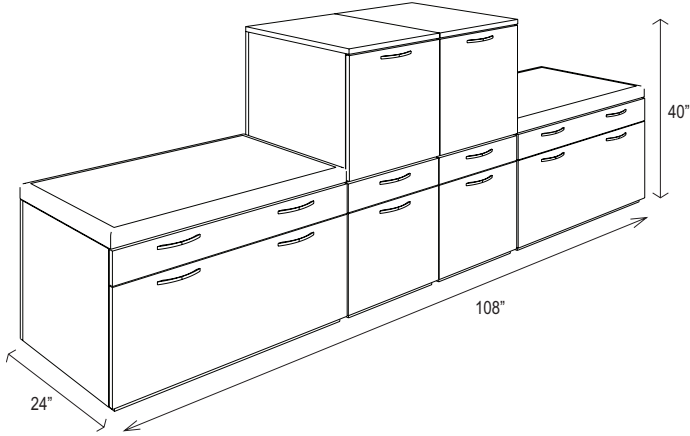


TYPICAL TOTAL

\$ 3588.00

BN.S.005

PART NO.	DESCRIPTION	QTY	LIST PRICE	TOTAL
7043-S827	BENCH HEIGHT BOX/LATERAL FILE PED	2	\$ 825.00	\$ 1650.00
7043-S834L	LEFT BENCH HEIGHT DOOR PEDESTAL	1	\$ 391.00	\$ 391.00
7043-S834R	RIGHT BENCH HEIGHT DOOR PEDESTAL	1	\$ 391.00	\$ 391.00
7043-S838	BENCH HEIGHT BOX/FILE PEDESTAL	2	\$ 509.00	\$ 1018.00
7049-36BC-SCXX	36" BENCH CUSHIONS	2	\$ 172.00	\$ 344.00

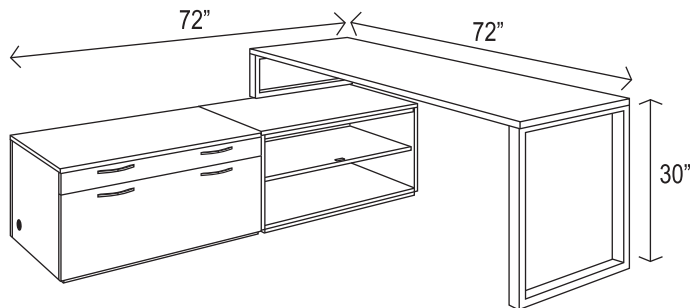


TYPICAL TOTAL

\$ 3794.00

BN.L.006

PART NO.	DESCRIPTION	QTY	LIST PRICE	TOTAL
70**-6201	72" CREDENZA TOP	1	\$ 268.00	\$ 268.00
7049-1191	TOP SUPPORT RAILS 60"	1	\$ 78.00	\$ 78.00
70**-7226	68" HOME OFFICE MODESTY PANEL	1	\$ 118.00	\$ 118.00
7049-5902	END SUPPORT FRAME	1	\$ 155.00	\$ 155.00
7049-5901WG	WHITE GLASS SUPPORT INSERT	1	\$ 239.00	\$ 239.00
7043-S827	BENCH HEIGHT BOX/LATERAL FILE PED	1	\$ 825.00	\$ 825.00
7043-S837	BENCH HEIGHT PEDESTAL	1	\$ 619.00	\$ 619.00
7049-1162	BENCH WING END SUPPORT FRAME	1	\$ 161.00	\$ 161.00

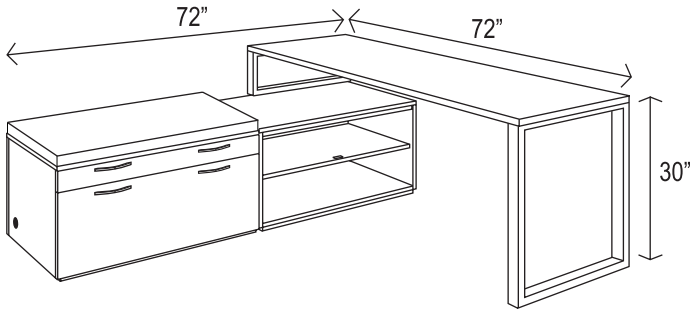


TYPICAL TOTAL

\$ 2463.00

** Must choose finish from available colors
 40 Mocha, 41 Honey Maple, 42 Mahogany, 43 White, 47 Walnut

BN.L.007

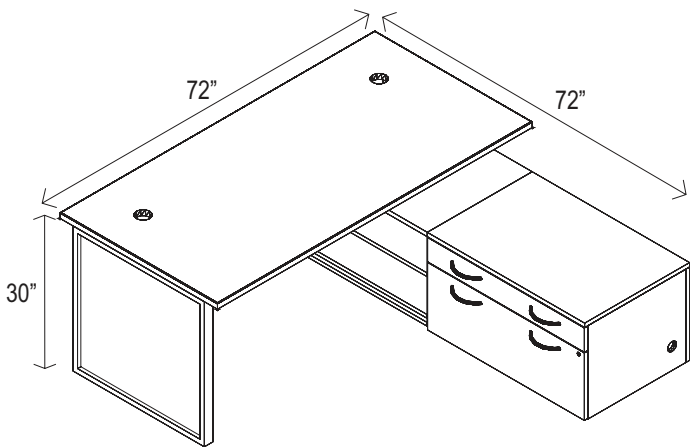


PART NO.	DESCRIPTION	QTY	LIST PRICE	TOTAL
70**-6201	72" CREENZA TOP	1	\$ 268.00	\$ 268.00
7049-1191	TOP SUPPORT RAILS 60"	1	\$ 78.00	\$ 78.00
70**-7226	68" HOME OFFICE MODESTY PANEL	1	\$ 118.00	\$ 118.00
7049-5902	END SUPPORT FRAME	1	\$ 155.00	\$ 155.00
7049-5901WG	WHITE GLASS SUPPORT INSERT	1	\$ 239.00	\$ 239.00
7043-S827	BENCH HEIGHT BOX/LATERAL FILE PED	1	\$ 825.00	\$ 825.00
7043-S837	BENCH HEIGHT PEDESTAL	1	\$ 619.00	\$ 619.00
7049-1162	BENCH WING END SUPPORT FRAME	1	\$ 161.00	\$ 161.00
7049-36BC-SCXX	36" BENCH CUSHIONS	1	\$ 172.00	\$ 172.00

TYPICAL TOTAL

\$ 2635.00

BN.L.008

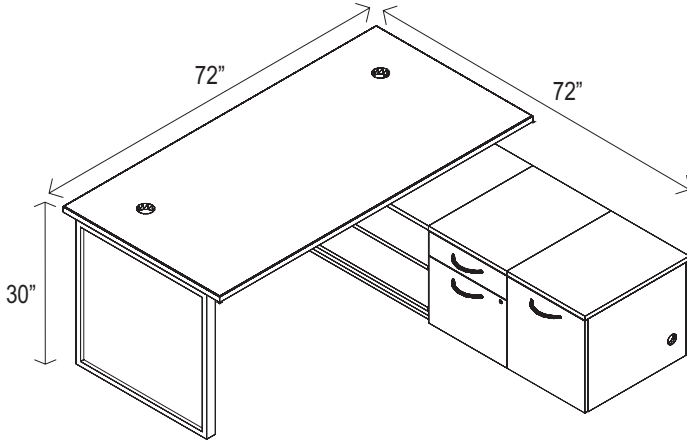


PART NO.	DESCRIPTION	QTY	LIST PRICE	TOTAL
70**-8211	72" STRAIGHT FRONT DESK TOP	1	\$ 359.00	\$ 359.00
7049-1191	TOP SUPPORT RAILS 60"	1	\$ 78.00	\$ 78.00
70**-7226	68" HOME OFFICE MODESTY PANEL	1	\$ 118.00	\$ 118.00
7049-5912	END SUPPORT FRAME	1	\$ 168.00	\$ 168.00
7049-5911WG	WHITE GLASS SUPPORT INSERT	1	\$ 256.00	\$ 256.00
7043-S827	BENCH HEIGHT BOX/LATERAL FILE PED	1	\$ 825.00	\$ 825.00
7043-S837	BENCH HEIGHT PEDESTAL	1	\$ 619.00	\$ 619.00
7049-1162	BENCH WING END SUPPORT FRAME	1	\$ 161.00	\$ 161.00

TYPICAL TOTAL

\$ 2584.00

BN.L.009

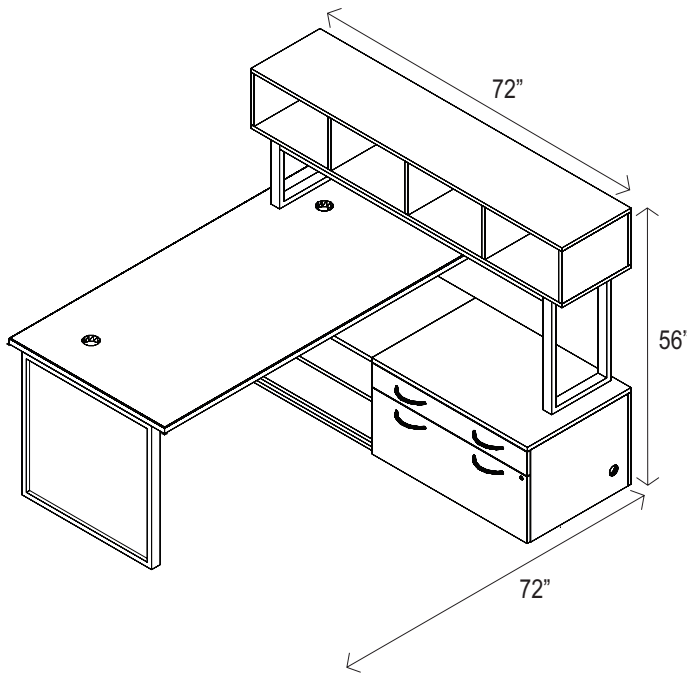


PART NO.	DESCRIPTION	QTY	LIST PRICE	TOTAL
70**-8211	72" STRAIGHT FRONT DESK TOP	1	\$ 359.00	\$ 359.00
7049-1191	TOP SUPPORT RAILS 60"	1	\$ 78.00	\$ 78.00
70**-7226	68" HOME OFFICE MODESTY PANEL	1	\$ 118.00	\$ 118.00
7049-5912	END SUPPORT FRAME	1	\$ 168.00	\$ 168.00
7043-S837	BENCH HEIGHT PEDESTAL	1	\$ 619.00	\$ 619.00
7043-S834R	RIGHT BENCH HEIGHT DOOR PEDESTAL	1	\$ 391.00	\$ 391.00
7043-S838	BENCH HEIGHT BOX/FILE PEDESTAL	1	\$ 509.00	\$ 509.00
7049-1162	BENCH WING END SUPPORT FRAME	1	\$ 161.00	\$ 161.00

TYPICAL TOTAL

\$ 2403.00

BN.L.010



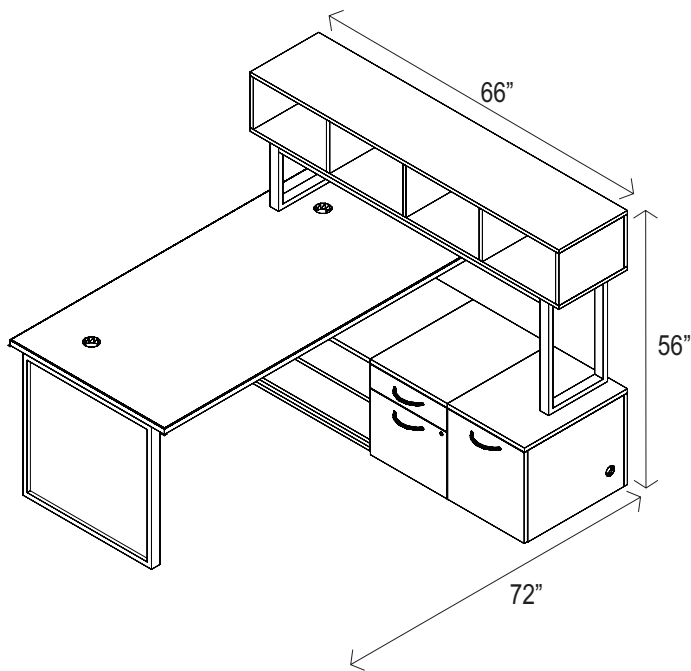
PART NO.	DESCRIPTION	QTY	LIST PRICE	TOTAL
70**-8211	72" STRAIGHT FRONT DESK TOP	1	\$ 359.00	\$ 359.00
7049-1191	TOP SUPPORT RAILS 60"	1	\$ 78.00	\$ 78.00
70**-7226	68" HOME OFFICE MODESTY PANEL	1	\$ 118.00	\$ 118.00
7049-5912	END SUPPORT FRAME	1	\$ 168.00	\$ 168.00
7043-S827	BENCH HEIGHT BOX/LATERAL FILE PED	1	\$ 825.00	\$ 825.00
7043-S837	BENCH HEIGHT PEDESTAL	1	\$ 619.00	\$ 619.00
7049-1162	BENCH WING END SUPPORT FRAME	1	\$ 161.00	\$ 161.00
704_-1107	72" HANGING/DECK STORAGE	1	\$ 401.00	\$ 401.00
7049-110	DECK STORAGE SUPPORT FRAME	1	\$ 327.00	\$ 327.00

TYPICAL TOTAL

\$ 3056.00

**** Must choose finish from available colors
40 Mocha, 41 Honey Maple, 42 Mahogany, 43 White, 47 Walnut**

BN.L.011

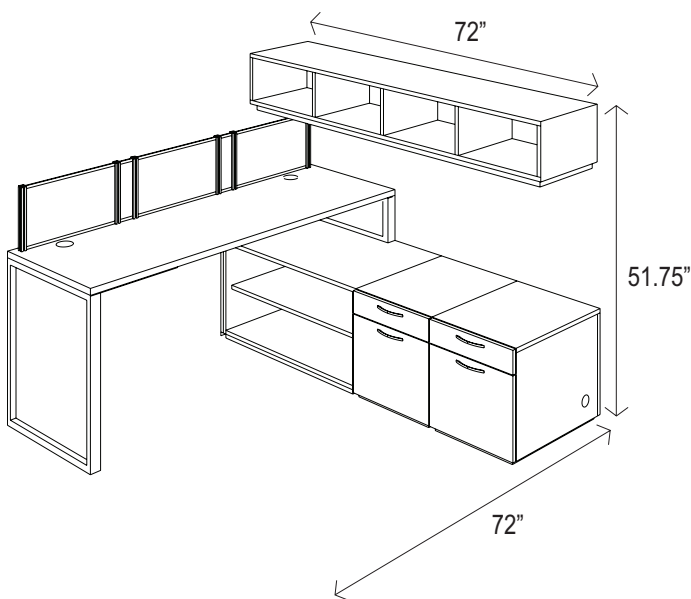


PART NO.	DESCRIPTION	QTY	LIST PRICE	TOTAL
70**-8211	72" STRAIGHT FRONT DESK TOP	1	\$ 359.00	\$ 359.00
7049-1191	TOP SUPPORT RAILS 60"	1	\$ 78.00	\$ 78.00
70**-7226	68" HOME OFFICE MODESTY PANEL	1	\$ 118.00	\$ 118.00
7049-5912	END SUPPORT FRAME	1	\$ 168.00	\$ 168.00
7043-S837	BENCH HEIGHT PEDESTAL	1	\$ 619.00	\$ 619.00
7043-S834R	RIGHT BENCH HEIGHT DOOR PEDESTAL	1	\$ 391.00	\$ 391.00
7043-S838	BENCH HEIGHT BOX/FILE PEDESTAL	1	\$ 509.00	\$ 509.00
7049-1162	BENCH WING END SUPPORT FRAME	1	\$ 161.00	\$ 161.00
70**-1107	72" HANGING/DECK STORAGE	1	\$ 401.00	\$ 401.00
7049-110	DECK STORAGE SUPPORT FRAME	1	\$ 327.00	\$ 327.00

TYPICAL TOTAL

\$ 3131.00

BN.L.012

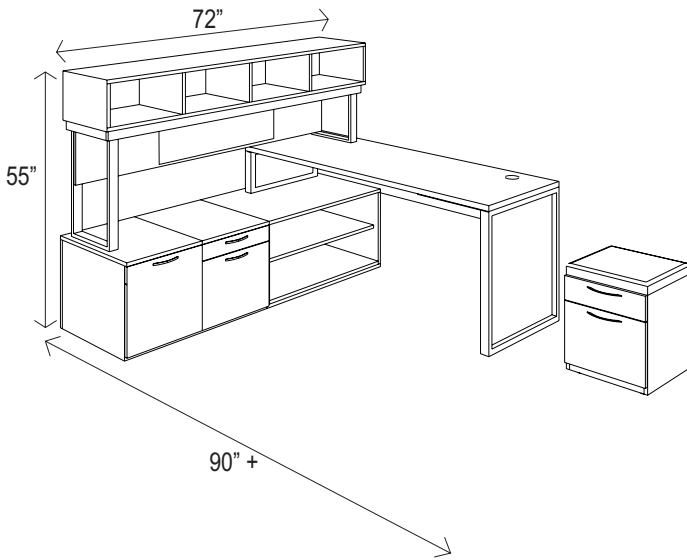


PART NO.	DESCRIPTION	QTY	LIST PRICE	TOTAL
70**-6201	72" CREDENZA TOP	1	\$ 268.00	\$ 268.00
7049-1191	TOP SUPPORT RAILS 60"	1	\$ 78.00	\$ 78.00
70**-7226	68" HOME OFFICE MODESTY PANEL	1	\$ 118.00	\$ 118.00
7049-5902	END SUPPORT FRAME	1	\$ 155.00	\$ 155.00
7049-5901WG	WHITE GLASS SUPPORT INSERT	1	\$ 239.00	\$ 239.00
7043-S837	BENCH HEIGHT PEDESTAL	1	\$ 619.00	\$ 619.00
7043-S838	BENCH HEIGHT BOX/FILE PEDESTAL	2	\$ 509.00	\$ 1018.00
7049-1162	BENCH WING END SUPPORT FRAME	1	\$ 161.00	\$ 161.00
70**-1107	72" HANGING/DECK STORAGE	1	\$ 401.00	\$ 401.00
7049-113	69" DIVIDER/PRIVACY SCREEN	1	\$ 466.00	\$ 466.00

TYPICAL TOTAL

\$ 3523.00

BN.L.013

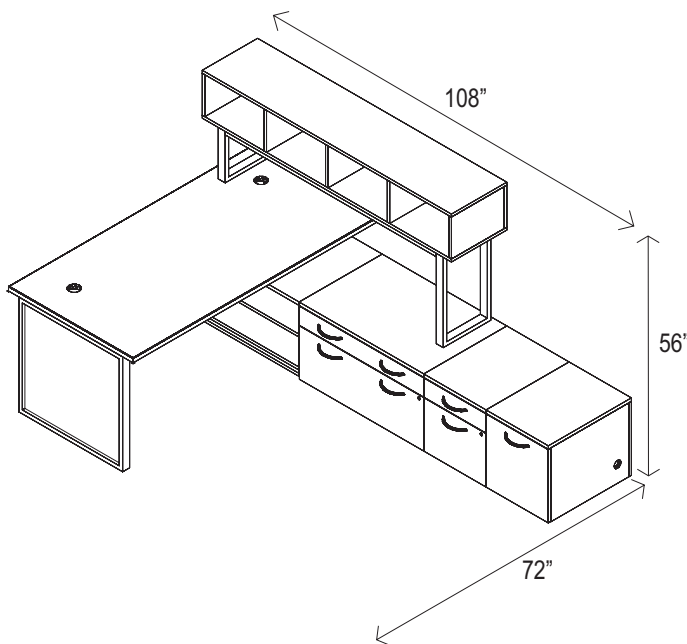


PART NO.	DESCRIPTION	QTY	LIST PRICE	TOTAL
70**-6201	72" CREDENZA TOP	1	\$ 268.00	\$ 268.00
7049-1191	TOP SUPPORT RAILS 60"	1	\$ 78.00	\$ 78.00
70**-7226	68" HOME OFFICE MODESTY PANEL	1	\$ 118.00	\$ 118.00
70**-70	MOBILE PEDESTAL	1	\$ 494.00	\$ 494.00
7049-5902	END SUPPORT FRAME	1	\$ 155.00	\$ 155.00
7049-5901WG	WHITE GLASS SUPPORT INSERT	1	\$ 239.00	\$ 239.00
7043-S837	BENCH HEIGHT PEDESTAL	1	\$ 619.00	\$ 619.00
7043-S834L	LEFT BENCH HEIGHT DOOR PEDESTAL	1	\$ 391.00	\$ 391.00
7043-S838	BENCH HEIGHT BOX/FILE PEDESTAL	1	\$ 509.00	\$ 509.00
7049-1162	BENCH WING END SUPPORT FRAME	1	\$ 161.00	\$ 161.00
70**-1107	72" HANGING/DECK STORAGE	1	\$ 401.00	\$ 401.00
7049-110	DECK STORAGE SUPPORT FRAME	1	\$ 327.00	\$ 327.00
70**-110712	DECK BACK PANEL 12"H	1	\$ 94.00	\$ 94.00
7049-104	36" X 11" REVERSIBLE TACKBOARD	1	\$ 107.00	\$ 107.00

TYPICAL TOTAL

\$ 3961.00

BN.L.014



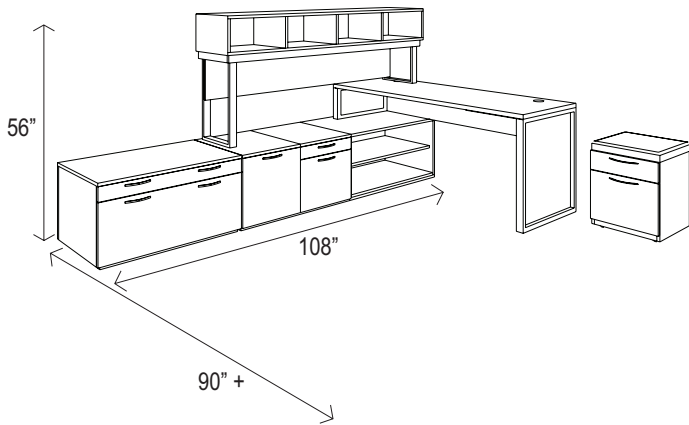
PART NO.	DESCRIPTION	QTY	LIST PRICE	TOTAL
70**-8211	72" STRAIGHT FRONT DESK TOP	1	\$ 359.00	\$ 359.00
7049-1191	TOP SUPPORT RAILS 60"	1	\$ 78.00	\$ 78.00
70**-7226	68" HOME OFFICE MODESTY PANEL	1	\$ 118.00	\$ 118.00
7049-5912	END SUPPORT FRAME	1	\$ 168.00	\$ 168.00
7043-S837	BENCH HEIGHT PEDESTAL	1	\$ 619.00	\$ 619.00
7043-S827	BENCH HEIGHT BOX/LATERAL FILE PED	1	\$ 825.00	\$ 825.00
7043-S834R	RIGHT BENCH HEIGHT DOOR PEDESTAL	1	\$ 391.00	\$ 391.00
7043-S838	BENCH HEIGHT BOX/FILE PEDESTAL	1	\$ 509.00	\$ 509.00
7049-1162	BENCH WING END SUPPORT FRAME	1	\$ 161.00	\$ 161.00
70**-1107	72" HANGING/DECK STORAGE	1	\$ 401.00	\$ 401.00
7049-110	DECK STORAGE SUPPORT FRAME	1	\$ 327.00	\$ 327.00

TYPICAL TOTAL

\$ 3956.00

**** Must choose finish from available colors
40 Mocha, 41 Honey Maple, 42 Mahogany, 43 White, 47 Walnut**

BN.L.015

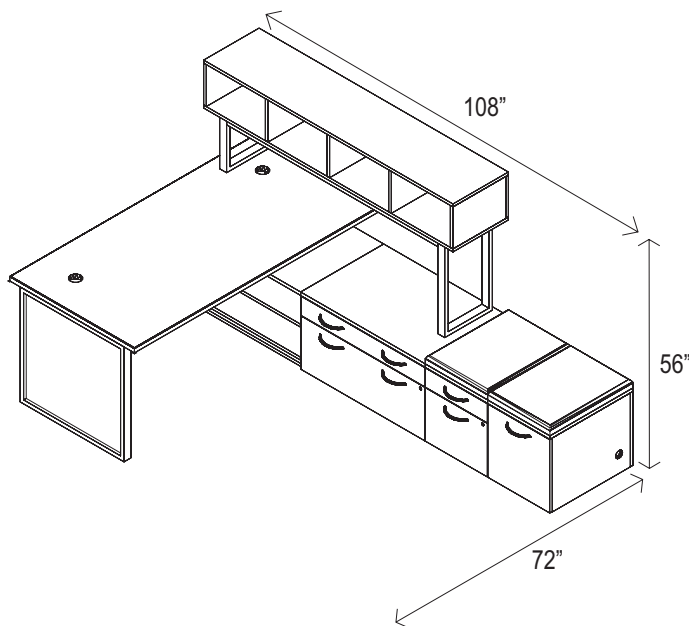


PART NO.	DESCRIPTION	QTY	LIST PRICE	TOTAL
70**-6201	72" CREENZA TOP	1	\$ 268.00	\$ 268.00
7049-1191	TOP SUPPORT RAILS 60"	1	\$ 78.00	\$ 78.00
70**-7226	68" HOME OFFICE MODESTY PANEL	1	\$ 118.00	\$ 118.00
7049-5902	END SUPPORT FRAME	1	\$ 155.00	\$ 155.00
7049-5901WG	WHITE GLASS SUPPORT INSERT	1	\$ 239.00	\$ 239.00
70**-70	MOBILE PEDESTAL	1	\$ 494.00	\$ 494.00
7043-S837	BENCH HEIGHT PEDESTAL	1	\$ 619.00	\$ 619.00
7043-S827	BENCH HEIGHT BOX/LATERAL FILE PED	1	\$ 825.00	\$ 825.00
7043-S834L	LEFT BENCH HEIGHT DOOR PEDESTAL	1	\$ 391.00	\$ 391.00
7043-S838	BENCH HEIGHT BOX/FILE PEDESTAL	1	\$ 509.00	\$ 509.00
7049-1162	BENCH WING END SUPPORT FRAME	1	\$ 161.00	\$ 161.00
70**-1107	72" HANGING/DECK STORAGE	1	\$ 401.00	\$ 401.00
7049-110	DECK STORAGE SUPPORT FRAME	1	\$ 327.00	\$ 327.00
70**-110712	DECK BACK PANEL 12"H	1	\$ 94.00	\$ 94.00

TYPICAL TOTAL

\$ 4679.00

BN.L.016

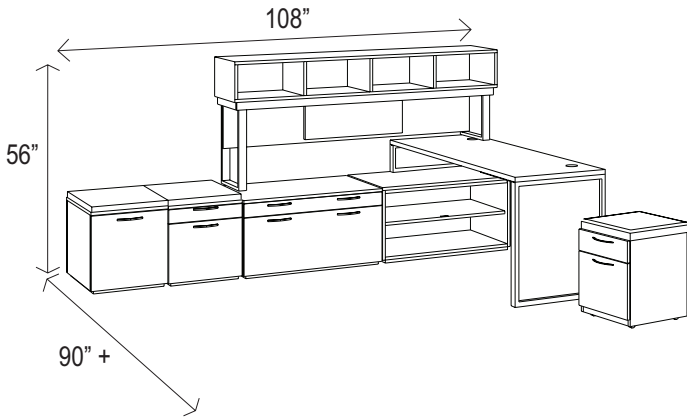


PART NO.	DESCRIPTION	QTY	LIST PRICE	TOTAL
70**-8211	72" STRAIGHT FRONT DESK TOP	1	\$ 359.00	\$ 359.00
7049-1191	TOP SUPPORT RAILS 60"	1	\$ 78.00	\$ 78.00
70**-7226	68" HOME OFFICE MODESTY PANEL	1	\$ 118.00	\$ 118.00
7049-5912	END SUPPORT FRAME	1	\$ 168.00	\$ 168.00
7043-S837	BENCH HEIGHT PEDESTAL	1	\$ 619.00	\$ 619.00
7043-S827	BENCH HEIGHT BOX/LATERAL FILE PED	1	\$ 825.00	\$ 825.00
7043-S834R	RIGHT BENCH HEIGHT DOOR PEDESTAL	1	\$ 391.00	\$ 391.00
7043-S838	BENCH HEIGHT BOX/FILE PEDESTAL	1	\$ 509.00	\$ 509.00
7049-1162	BENCH WING END SUPPORT FRAME	1	\$ 161.00	\$ 161.00
7049-18BC-SCXX	18" BENCH CUSHIONS	2	\$ 99.00	\$ 198.00
70**-1107	72" HANGING/DECK STORAGE	1	\$ 401.00	\$ 401.00
7049-110	DECK STORAGE SUPPORT FRAME	1	\$ 327.00	\$ 327.00

TYPICAL TOTAL

\$ 4154.00

BN.L.017



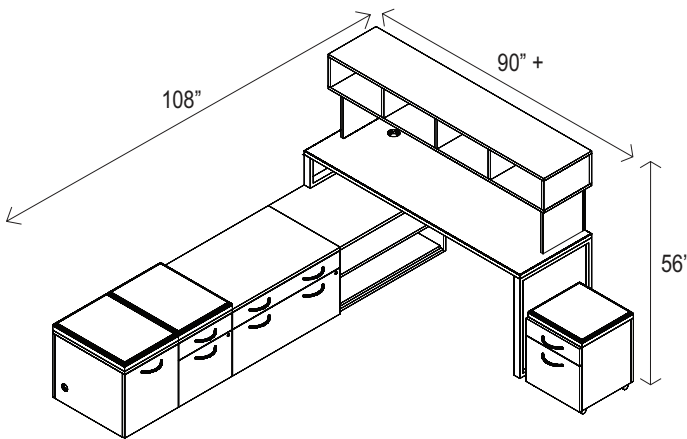
PART NO.	DESCRIPTION	QTY	LIST PRICE	TOTAL
70**-6201	72" CREDENZA TOP	1	\$ 268.00	\$ 268.00
7049-1191	TOP SUPPORT RAILS 60"	1	\$ 78.00	\$ 78.00
70**-7226	68" HOME OFFICE MODESTY PANEL	1	\$ 118.00	\$ 118.00
7049-5902	END SUPPORT FRAME	1	\$ 155.00	\$ 155.00
7049-5901WG	WHITE GLASS SUPPORT INSERT	1	\$ 239.00	\$ 239.00
70**-70	MOBILE PEDESTAL	1	\$ 494.00	\$ 494.00
7043-S837	BENCH HEIGHT PEDESTAL	1	\$ 619.00	\$ 619.00
7043-S827	BENCH HEIGHT BOX/LATERAL FILE PED	1	\$ 825.00	\$ 825.00
7043-S834L	LEFT BENCH HEIGHT DOOR PEDESTAL	1	\$ 391.00	\$ 391.00
7043-S838	BENCH HEIGHT BOX/FILE PEDESTAL	1	\$ 509.00	\$ 509.00
7049-1162	BENCH WING END SUPPORT FRAME	1	\$ 161.00	\$ 161.00
7049-18BC-SCXX	18" BENCH CUSHIONS	2	\$ 99.00	\$ 198.00
70**-1107	72" HANGING/DECK STORAGE	1	\$ 401.00	\$ 401.00
7049-110	DECK STORAGE SUPPORT FRAME	1	\$ 327.00	\$ 327.00
70**-110712	DECK BACK PANEL 12"H	1	\$ 94.00	\$ 94.00
7049-104	36" X 11" REVERSIBLE TACKBOARD	1	\$ 107.00	\$ 107.00

* Helpful Hint: This typical can also be constructed with a -173 desk deck resting on the desk top

TYPICAL TOTAL

\$ 4984.00

BN.L.018



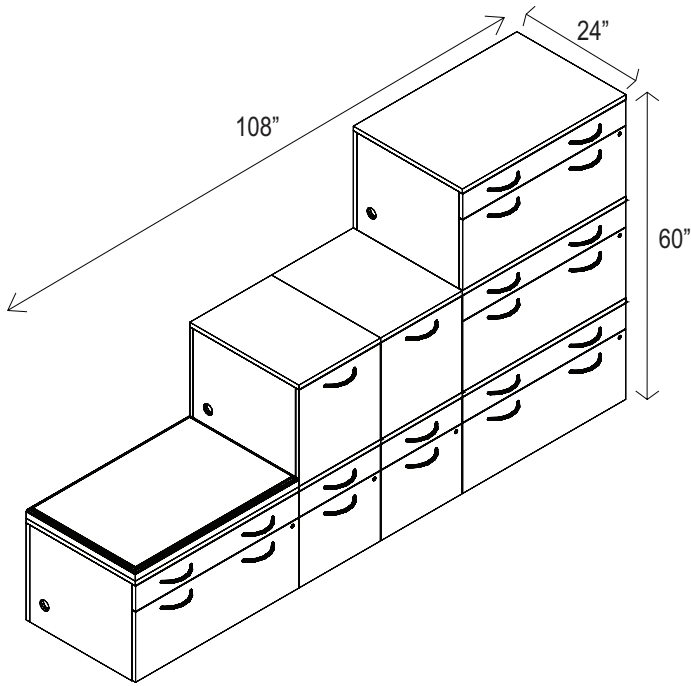
PART NO.	DESCRIPTION	QTY	LIST PRICE	TOTAL
70**-6201	72" CREDENZA TOP	1	\$ 268.00	\$ 268.00
7049-1191	TOP SUPPORT RAILS 60"	1	\$ 78.00	\$ 78.00
70**-7226	68" HOME OFFICE MODESTY PANEL	1	\$ 118.00	\$ 118.00
7049-1162	BENCH WING END SUPPORT FRAME	1	\$ 161.00	\$ 161.00
7049-5902	END SUPPORT FRAME	1	\$ 155.00	\$ 155.00
7049-5901WG	WHITE GLASS SUPPORT INSERT	1	\$ 239.00	\$ 239.00
70**-70	MOBILE PEDESTAL	1	\$ 494.00	\$ 494.00
7043-S837	BENCH HEIGHT PEDESTAL	1	\$ 619.00	\$ 619.00
7043-S827	BENCH HEIGHT BOX/LATERAL FILE PED	1	\$ 825.00	\$ 825.00
7043-S834L	LEFT BENCH HEIGHT DOOR PEDESTAL	1	\$ 391.00	\$ 391.00
7043-S838	BENCH HEIGHT BOX/FILE PEDESTAL	1	\$ 509.00	\$ 509.00
7049-18BC-SCXX	18" BENCH CUSHIONS	2	\$ 99.00	\$ 198.00
70**-173	72" DESK DECK	1	\$ 456.00	\$ 456.00

TYPICAL TOTAL

\$ 4511.00

** Must choose finish from available colors
 40 Mocha, 41 Honey Maple, 42 Mahogany, 43 White, 47 Walnut

BN.S.019

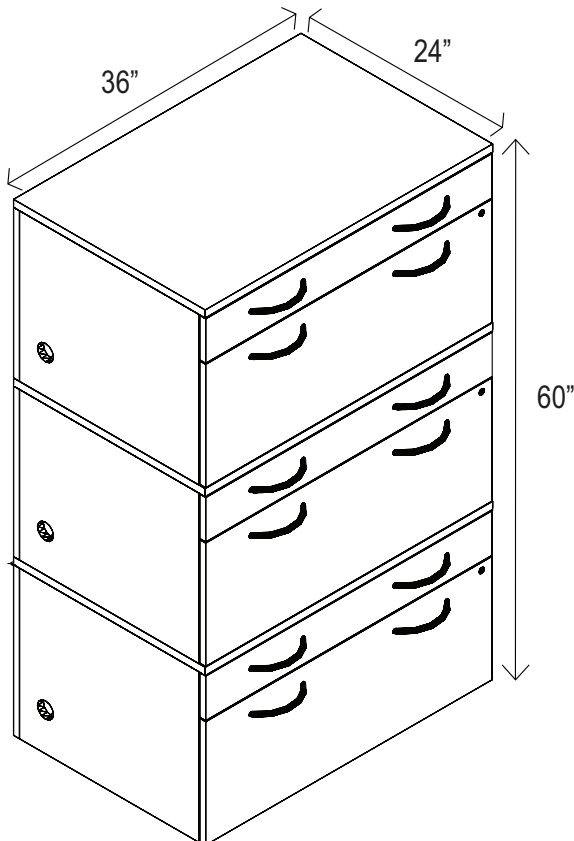


PART NO.	DESCRIPTION	QTY	LIST PRICE	TOTAL
7043-S827	BENCH HEIGHT BOX/LATERAL FILE PED	4	\$ 825.00	\$ 3300.00
7043-S834L	LEFT BENCH HEIGHT DOOR PEDESTAL	1	\$ 391.00	\$ 391.00
7043-S834R	RIGHT BENCH HEIGHT DOOR PEDESTAL	1	\$ 391.00	\$ 391.00
7043-S838	BENCH HEIGHT BOX/FILE PEDESTAL	2	\$ 509.00	\$ 1018.00
7049-36BC-SCXX	36" BENCH CUSHIONS	1	\$ 172.00	\$ 172.00

TYPICAL TOTAL

\$ 5272.00

BN.S.020



PART NO.	DESCRIPTION	QTY	LIST PRICE	TOTAL
7043-S827	BENCH HEIGHT BOX/LATERAL FILE PED	3	\$ 825.00	\$ 2475.00

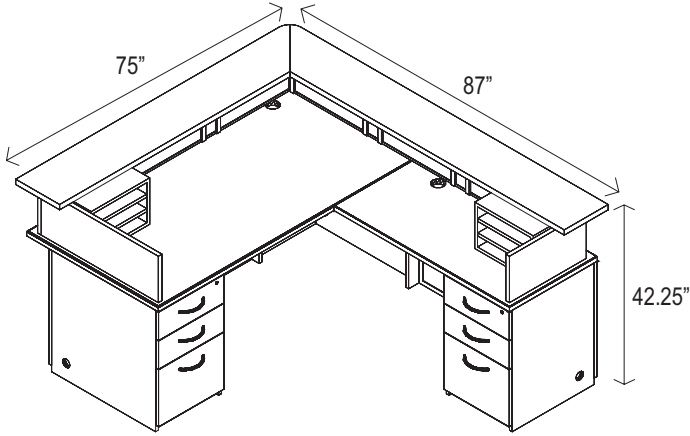
TYPICAL TOTAL

\$ 2475.00

RECEPTION (REC)

REC.L.001

KIT # 70**-72RRLD



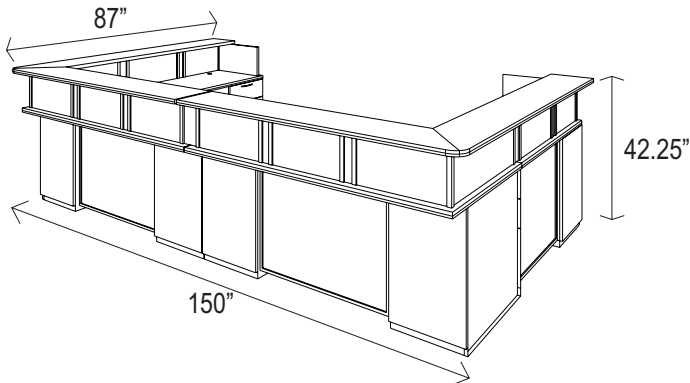
PART NO.	DESCRIPTION	QTY	LIST PRICE	TOTAL
70**-7211L	72" LEFT RECEPTION DESK TOP	1	\$ 307.00	\$ 307.00
70**-7203R	48" RECEPTION RETURN TOP, RIGHT	1	\$ 192.00	\$ 192.00
70**-304L	72" RECEPTION TRANSACTION TOP, LEFT	1	\$ 286.00	\$ 286.00
7049-3041	72" RECEPTION RISER	1	\$ 749.00	\$ 749.00
70**-40	ORGANIZER FOR RECEPTION DESKS	2	\$ 120.00	\$ 240.00
7049-1192	TOP SUPPORT RAILS 50"	1	\$ 68.00	\$ 68.00
7049-8223WG	36" WHITE GLASS MODESTY PANEL	1	\$ 359.00	\$ 359.00
7049-9223WG	30" WHITE GLASS MODESTY PANEL	1	\$ 307.00	\$ 307.00
70**-834	BOX/BOX/FILE PEDESTAL, 24D	1	\$ 573.00	\$ 573.00
70**-831	BOX/BOX/FILE PEDESTAL, 30D	1	\$ 670.00	\$ 670.00
70**-1182R	DESK WING END ASSEMBLY, RIGHT	1	\$ 170.00	\$ 170.00

TYPICAL TOTAL

\$ 3921.00

REC.U.002

KIT # 70**-REC144A



PART NO.	DESCRIPTION	QTY	LIST PRICE	TOTAL
70**-7211L	72" LEFT RECEPTION DESK TOP	1	\$ 307.00	\$ 307.00
70**-7211R	72" RIGHT RECEPTION DESK TOP	1	\$ 307.00	\$ 307.00
70**-7203L	48" RECEPTION RETURN TOP, LEFT	1	\$ 192.00	\$ 192.00
70**-7203R	48" RECEPTION RETURN TOP, RIGHT	1	\$ 192.00	\$ 192.00
70**-304L	72" RECEPTION TRANSACTION TOP, LEFT	1	\$ 286.00	\$ 286.00
70**-304R	72" RECEPTION TRANSACTION TOP, RIGHT	1	\$ 286.00	\$ 286.00
7049-3041	72" RECEPTION RISER	2	\$ 749.00	\$ 1498.00
7049-3051	DOUBLE RECEPTION DESK CONNECTOR	1	\$ 12.00	\$ 12.00
70**-40	ORGANIZER FOR RECEPTION DESKS	2	\$ 120.00	\$ 240.00
7049-1192	TOP SUPPORT RAILS 50"	2	\$ 68.00	\$ 136.00
7049-8223WG	36" WHITE GLASS MODESTY PANEL	2	\$ 359.00	\$ 718.00
7049-9223WG	30" WHITE GLASS MODESTY PANEL	2	\$ 307.00	\$ 614.00
70**-831	BOX/BOX/FILE PEDESTAL, 30D	2	\$ 670.00	\$ 1340.00
70**-834	BOX/BOX/FILE PEDESTAL, 24D	2	\$ 573.00	\$ 1146.00
70**-1182L	DESK WING END ASSEMBLY, LEFT	1	\$ 170.00	\$ 170.00
70**-1182R	DESK WING END ASSEMBLY, RIGHT	1	\$ 170.00	\$ 170.00

TYPICAL TOTAL

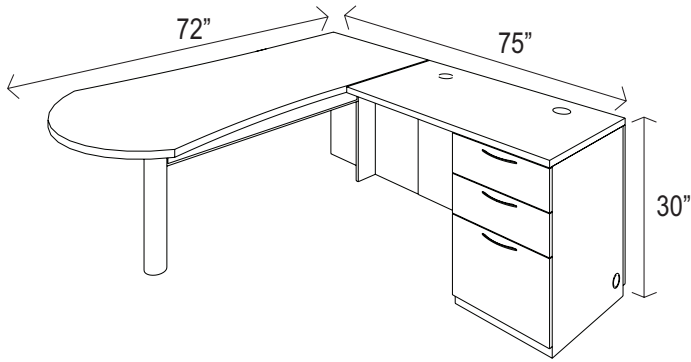
\$ 7614.00

** Must choose finish from available colors
40 Mocha, 41 Honey Maple, 42 Mahogany, 43 White, 47 Walnut

PRIVATE OFFICE (PO)

PO.L.001 LAMINATE

PART NO.	DESCRIPTION	QTY	LIST PRICE	TOTAL
70**-7210	72 X 36 FAN SHAPED DESK	1	\$ 954.00	\$ 954.00
70**-6205	42" BRIDGE/RETURN TOP	1	\$ 161.00	\$ 161.00
70**-6223	24" LAMINATE MODESTY PANEL	1	\$ 94.00	\$ 94.00
70**-834	BOX/BOX/FILE PEDESTAL 18X24	1	\$ 573.00	\$ 573.00

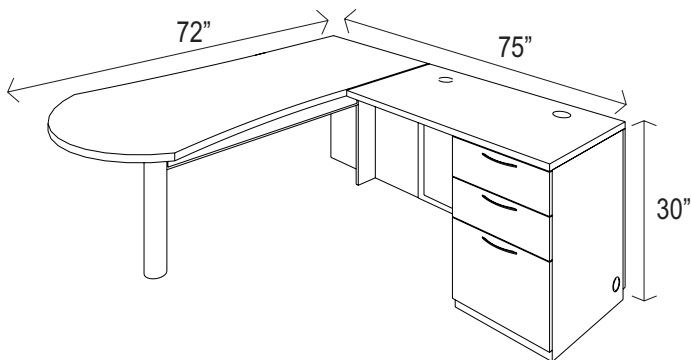


TYPICAL TOTAL

\$ 1782.00

PO.L.001 GLASS

PART NO.	DESCRIPTION	QTY	LIST PRICE	TOTAL
70**-7210	72 X 36 FAN SHAPED DESK	1	\$ 954.00	\$ 954.00
70**-6205	42" BRIDGE/RETURN TOP	1	\$ 161.00	\$ 161.00
7049-6223WG	24" WHITE GLASS MODESTY PANEL	1	\$ 252.00	\$ 252.00
70**-834	BOX/BOX/FILE PEDESTAL 18X24	1	\$ 573.00	\$ 573.00

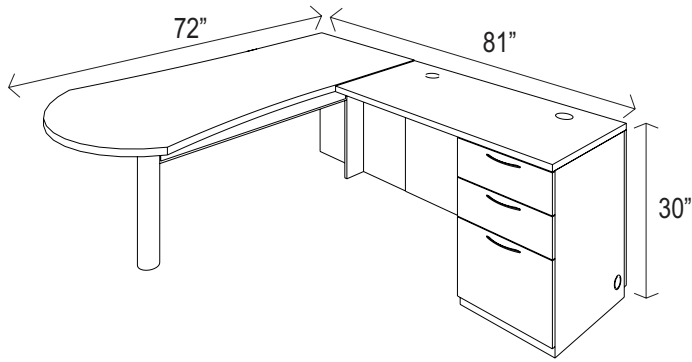


TYPICAL TOTAL

\$ 1940.00

PO.L.002 LAMINATE

PART NO.	DESCRIPTION	QTY	LIST PRICE	TOTAL
70**-7210	72 X 36 FAN SHAPED DESK	1	\$ 954.00	\$ 954.00
70**-6203	48" BRIDGE/RETURN TOP	1	\$ 192.00	\$ 192.00
70**-9222	30" LAMINATE MODESTY PANEL	1	\$ 99.00	\$ 99.00
70**-834	BOX/BOX/FILE PEDESTAL 18X24	1	\$ 573.00	\$ 573.00

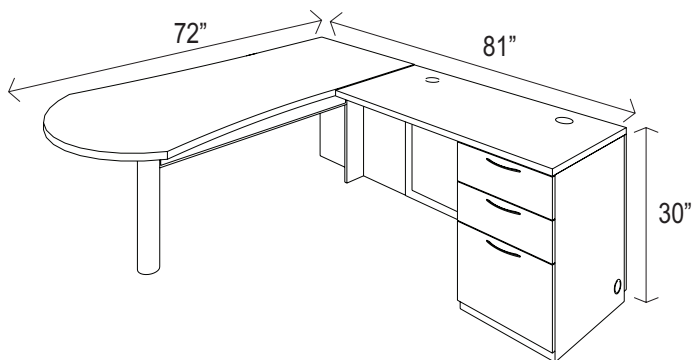


TYPICAL TOTAL

\$ 1818.00

PO.L.002 GLASS

PART NO.	DESCRIPTION	QTY	LIST PRICE	TOTAL
70**-7210	72 X 36 FAN SHAPED DESK	1	\$ 954.00	\$ 954.00
70**-6203	48" BRIDGE/RETURN TOP	1	\$ 192.00	\$ 192.00
7049-9223WG	30" WHITE GLASS MODESTY PANEL	1	\$ 307.00	\$ 307.00
70**-834	BOX/BOX/FILE PEDESTAL 18X24	1	\$ 573.00	\$ 573.00



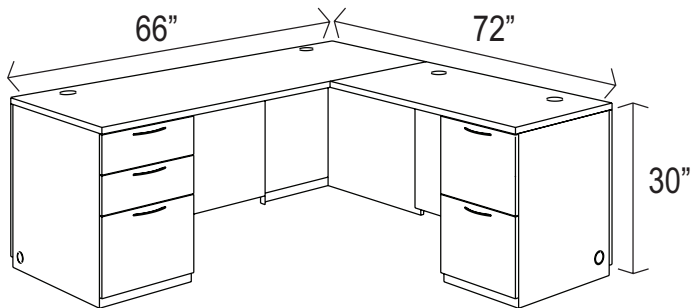
TYPICAL TOTAL

\$ 2026.00

**** Must choose finish from available colors
40 Mocha, 41 Honey Maple, 42 Mahogany, 43 White, 47 Walnut**

PO.L.003 LAMINATE

PART NO.	DESCRIPTION	QTY	LIST PRICE	TOTAL
70**-9211	66" STRAIGHT FRONT DESK TOP	1	\$ 279.00	\$ 279.00
70**-6205	42" BRIDGE/RETURN TOP	1	\$ 161.00	\$ 161.00
70**-9222	30" LAMINATE MODESTY PANEL	1	\$ 99.00	\$ 99.00
70**-6223	24" LAMINATE MODESTY PANEL	1	\$ 94.00	\$ 94.00
70**-831	BOX/BOX/FILE PEDESTAL 18X30	1	\$ 670.00	\$ 670.00
70**-833	FILE/FILE PEDESTAL 18X24	1	\$ 573.00	\$ 573.00
70**-1182R	DESK WING END ASSEMBLY RIGHT	1	\$ 170.00	\$ 170.00

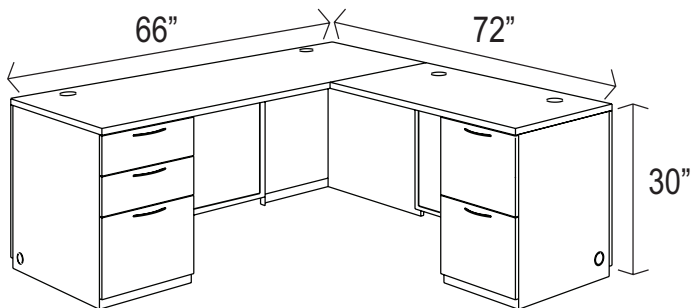


TYPICAL TOTAL

\$ 2046.00

PO.L.003 GLASS

PART NO.	DESCRIPTION	QTY	LIST PRICE	TOTAL
70**-9211	66" STRAIGHT FRONT DESK TOP	1	\$ 279.00	\$ 279.00
70**-6205	42" BRIDGE/RETURN TOP	1	\$ 161.00	\$ 161.00
7049-9223WG	30" WHITE GLASS MODESTY PANEL	1	\$ 307.00	\$ 307.00
7049-6223WG	24" WHITE GLASS MODESTY PANEL	1	\$ 252.00	\$ 252.00
70**-831	BOX/BOX/FILE PEDESTAL 18X30	1	\$ 670.00	\$ 670.00
70**-833	FILE/FILE PEDESTAL 18X24	1	\$ 573.00	\$ 573.00
70**-1182R	DESK WING END ASSEMBLY RIGHT	1	\$ 170.00	\$ 170.00



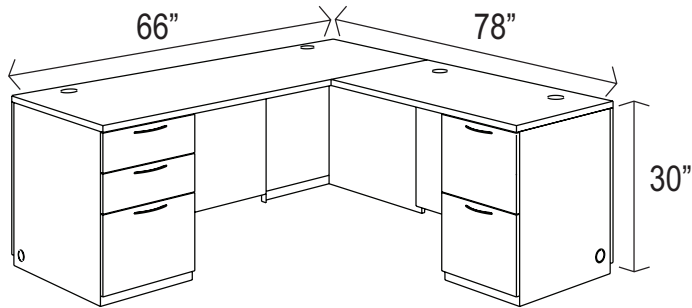
TYPICAL TOTAL

\$ 2412.00

** Must choose finish from available colors
40 Mocha, 41 Honey Maple, 42 Mahogany, 43 White, 47 Walnut

PO.L.004 LAMINATE

PART NO.	DESCRIPTION	QTY	LIST PRICE	TOTAL
70**-9211	66" STRAIGHT FRONT DESK TOP	1	\$ 279.00	\$ 279.00
70**-6203	48" BRIDGE/RETURN TOP	1	\$ 192.00	\$ 192.00
70**-9222	30" LAMINATE MODESTY PANEL	2	\$ 99.00	\$ 198.00
70**-831	BOX/BOX/FILE PEDESTAL 18X30	1	\$ 670.00	\$ 670.00
70**-833	FILE/FILE PEDESTAL 18X24	1	\$ 573.00	\$ 573.00
70**-1182R	DESK WING END ASSEMBLY RIGHT	1	\$ 170.00	\$ 170.00

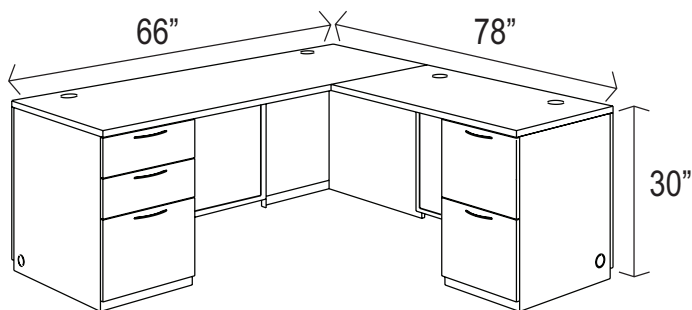


TYPICAL TOTAL

\$ 2082.00

PO.L.004 GLASS

PART NO.	DESCRIPTION	QTY	LIST PRICE	TOTAL
70**-9211	66" STRAIGHT FRONT DESK TOP	1	\$ 279.00	\$ 279.00
70**-6203	48" BRIDGE/RETURN TOP	1	\$ 192.00	\$ 192.00
7049-9223WG	30" WHITE GLASS MODESTY PANEL	2	\$ 307.00	\$ 614.00
70**-831	BOX/BOX/FILE PEDESTAL 18X30	1	\$ 670.00	\$ 670.00
70**-833	FILE/FILE PEDESTAL 18X24	1	\$ 573.00	\$ 573.00
70**-1182R	DESK WING END ASSEMBLY RIGHT	1	\$ 170.00	\$ 170.00

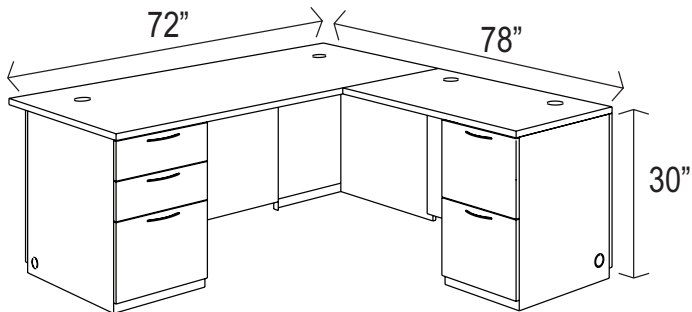


TYPICAL TOTAL

\$ 2498.00

**** Must choose finish from available colors
40 Mocha, 41 Honey Maple, 42 Mahogany, 43 White, 47 Walnut**

PO.L.005 LAMINATE

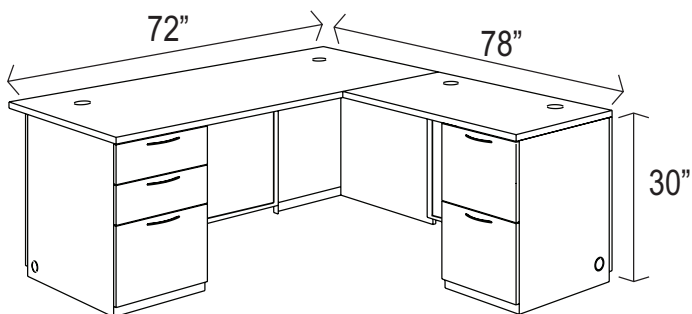


PART NO.	DESCRIPTION	QTY	LIST PRICE	TOTAL
70**-8211	72" STRAIGHT FRONT DESK TOP	1	\$ 359.00	\$ 359.00
70**-6205	42" BRIDGE/RETURN TOP	1	\$ 161.00	\$ 161.00
7049-1192	TOP SUPPORT RAIL 50"	1	\$ 68.00	\$ 68.00
70**-8222	36" LAMINATE MODESTY PANEL	1	\$ 145.00	\$ 145.00
70**-6223	24" LAMINATE MODESTY PANEL	1	\$ 94.00	\$ 94.00
70**-831	BOX/BOX/FILE PEDESTAL 18X30	1	\$ 670.00	\$ 670.00
70**-834	BOX/BOX/FILE PEDESTAL 18X24	1	\$ 573.00	\$ 573.00
70**-1182R	DESK WING END ASSEMBLY RIGHT	1	\$ 170.00	\$ 170.00

TYPICAL TOTAL

\$ 2240.00

PO.L.005 GLASS



PART NO.	DESCRIPTION	QTY	LIST PRICE	TOTAL
70**-8211	72" STRAIGHT FRONT DESK TOP	1	\$ 359.00	\$ 359.00
70**-6205	42" BRIDGE/RETURN TOP	1	\$ 161.00	\$ 161.00
7049-1192	TOP SUPPORT RAIL 50"	1	\$ 68.00	\$ 68.00
7049-8223WG	36" WHITE GLASS MODESTY PANEL	1	\$ 359.00	\$ 359.00
7049-6223WG	24" WHITE GLASS MODESTY PANEL	1	\$ 252.00	\$ 252.00
70**-831	BOX/BOX/FILE PEDESTAL 18X30	1	\$ 670.00	\$ 670.00
70**-834	BOX/BOX/FILE PEDESTAL 18X24	1	\$ 573.00	\$ 573.00
70**-1182R	DESK WING END ASSEMBLY RIGHT	1	\$ 170.00	\$ 170.00

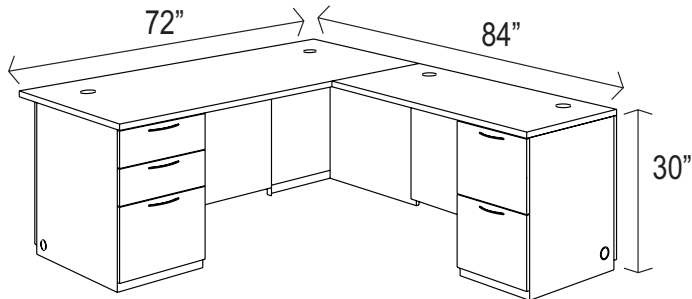
TYPICAL TOTAL

\$ 2612.00

** Must choose finish from available colors
40 Mocha, 41 Honey Maple, 42 Mahogany, 43 White, 47 Walnut

PO.L.006 LAMINATE

PART NO.	DESCRIPTION	QTY	LIST PRICE	TOTAL
70**-8211	72" STRAIGHT FRONT DESK TOP	1	\$ 359.00	\$ 359.00
70**-6203	48" BRIDGE/RETURN TOP	1	\$ 192.00	\$ 192.00
7049-1192	TOP SUPPORT RAIL 50"	1	\$ 68.00	\$ 68.00
70**-8222	36" LAMINATE MODESTY PANEL	1	\$ 145.00	\$ 145.00
70**-9222	30" LAMINATE MODESTY PANEL	1	\$ 99.00	\$ 99.00
70**-831	BOX/BOX/FILE PEDESTAL 18X30	1	\$ 670.00	\$ 670.00
70**-834	BOX/BOX/FILE PEDESTAL 18X24	1	\$ 573.00	\$ 573.00
70**-1182R	DESK WING END ASSEMBLY RIGHT	1	\$ 170.00	\$ 170.00

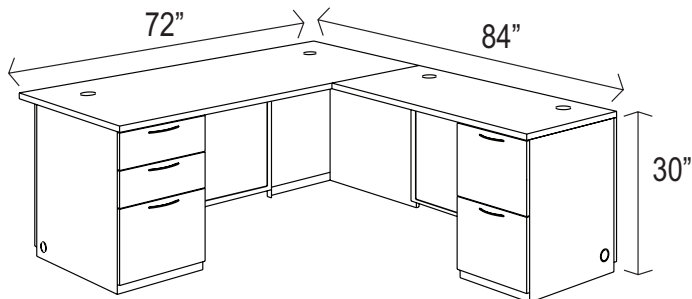


TYPICAL TOTAL

\$ 2276.00

PO.L.006 GLASS

PART NO.	DESCRIPTION	QTY	LIST PRICE	TOTAL
70**-8211	72" STRAIGHT FRONT DESK TOP	1	\$ 359.00	\$ 359.00
70**-6203	48" BRIDGE/RETURN TOP	1	\$ 192.00	\$ 192.00
7049-1192	TOP SUPPORT RAIL 50"	1	\$ 68.00	\$ 68.00
7049-8223WG	36" WHITE GLASS MODESTY PANEL	1	\$ 359.00	\$ 359.00
7049-9223WG	30" WHITE GLASS MODESTY PANEL	1	\$ 307.00	\$ 307.00
70**-831	BOX/BOX/FILE PEDESTAL 18X30	1	\$ 670.00	\$ 670.00
70**-834	BOX/BOX/FILE PEDESTAL 18X24	1	\$ 573.00	\$ 573.00
70**-1182R	DESK WING END ASSEMBLY RIGHT	1	\$ 170.00	\$ 170.00



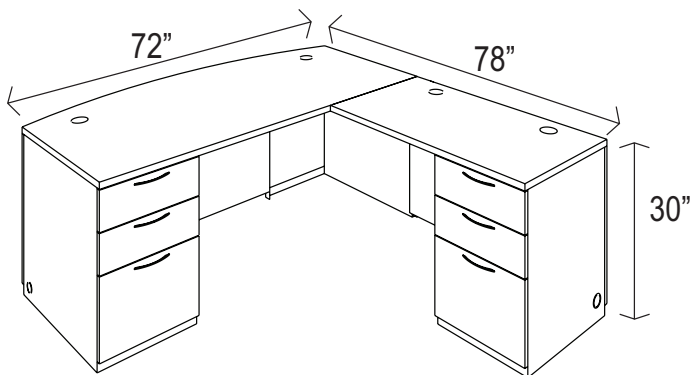
TYPICAL TOTAL

\$ 2698.00

**** Must choose finish from available colors
40 Mocha, 41 Honey Maple, 42 Mahogany, 43 White, 47 Walnut**

PO.L.007 LAMINATE

PART NO.	DESCRIPTION	QTY	LIST PRICE	TOTAL
70**-8221	72" BOW FRONT DESK TOP	1	\$ 359.00	\$359.00
70**-6205	42" BRIDGE/RETURN TOP	1	\$ 161.00	\$161.00
7049-1192	TOP SUPPORT RAIL 50"	1	\$ 68.00	\$68.00
70**-8222	36" LAMINATE MODESTY PANEL	1	\$ 145.00	\$145.00
70**-6223	24" LAMINATE MODESTY PANEL	1	\$ 94.00	\$94.00
70**-831	BOX/BOX/FILE PEDESTAL 18X30	1	\$ 670.00	\$670.00
70**-834	BOX/BOX/FILE PEDESTAL 18X24	1	\$ 573.00	\$573.00
70**-1182R	DESK WING END ASSEMBLY RIGHT	1	\$ 170.00	\$170.00

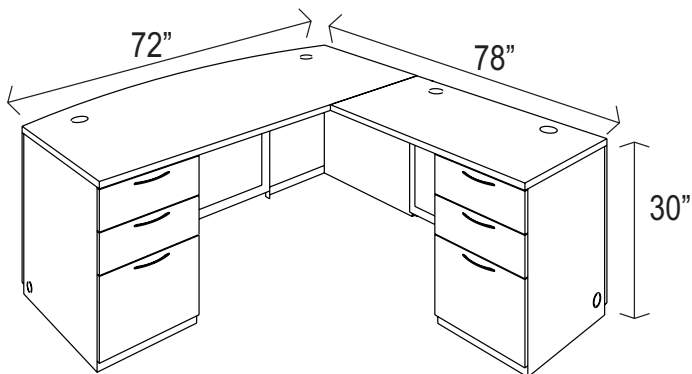


TYPICAL TOTAL

\$ 2240.00

PO.L.007 GLASS

PART NO.	DESCRIPTION	QTY	LIST PRICE	TOTAL
70**-8221	72" BOW FRONT DESK TOP	1	\$ 359.00	\$ 359.00
70**-6205	42" BRIDGE/RETURN TOP	1	\$ 161.00	\$ 161.00
7049-1192	TOP SUPPORT RAIL 50"	1	\$ 68.00	\$ 68.00
7049-8223WG	36" WHITE GLASS MODESTY PANEL	1	\$ 359.00	\$ 359.00
7049-6223WG	24" WHITE GLASS MODESTY PANEL	1	\$ 252.00	\$ 252.00
70**-831	BOX/BOX/FILE PEDESTAL 18X30	1	\$ 670.00	\$ 670.00
70**-834	BOX/BOX/FILE PEDESTAL 18X24	1	\$ 573.00	\$ 573.00
70**-1182R	DESK WING END ASSEMBLY RIGHT	1	\$ 170.00	\$ 170.00

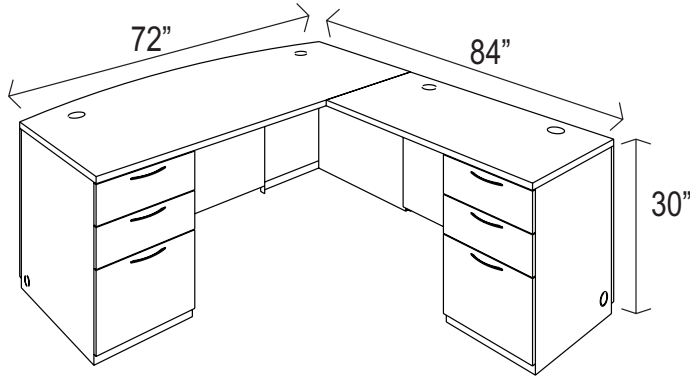


TYPICAL TOTAL

\$ 2612.00

** Must choose finish from available colors
 40 Mocha, 41 Honey Maple, 42 Mahogany, 43 White, 47 Walnut

PO.L.008 LAMINATE

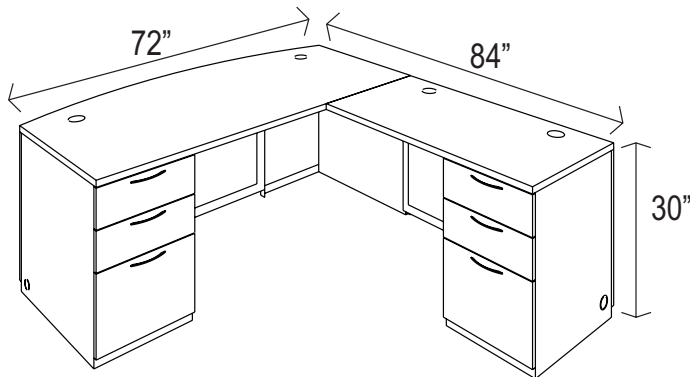


PART NO.	DESCRIPTION	QTY	LIST PRICE	TOTAL
70**-8221	72" BOW FRONT DESK TOP	1	\$ 359.00	\$ 359.00
70**-6203	48" BRIDGE/RETURN TOP	1	\$ 192.00	\$ 192.00
7049-1192	TOP SUPPORT RAIL 50"	1	\$ 68.00	\$ 68.00
70**-8222	36" LAMINATE MODESTY PANEL	1	\$ 145.00	\$ 145.00
70**-9222	30" LAMINATE MODESTY PANEL	1	\$ 99.00	\$ 99.00
70**-831	BOX/BOX/FILE PEDESTAL 18X30	1	\$ 670.00	\$ 670.00
70**-834	BOX/BOX/FILE PEDESTAL 18X24	1	\$ 573.00	\$ 573.00
70**-1182R	DESK WING END ASSEMBLY RIGHT	1	\$ 170.00	\$ 170.00

TYPICAL TOTAL

\$ 2276.00

PO.L.008 GLASS



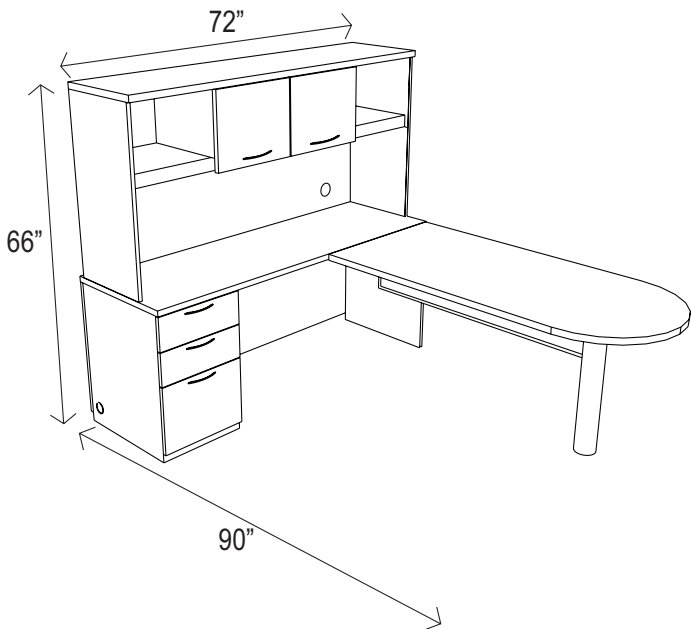
PART NO.	DESCRIPTION	QTY	LIST PRICE	TOTAL
70**-8221	72" BOW FRONT DESK TOP	1	\$ 359.00	\$ 359.00
70**-6203	48" BRIDGE/RETURN TOP	1	\$ 192.00	\$ 192.00
7049-1192	TOP SUPPORT RAIL 50"	1	\$ 68.00	\$ 68.00
7049-9223WG	30" WHITE GLASS MODESTY PANEL	1	\$ 307.00	\$ 307.00
7049-8223WG	36" WHITE GLASS MODESTY PANEL	1	\$ 359.00	\$ 359.00
70**-831	BOX/BOX/FILE PEDESTAL 18X30	1	\$ 670.00	\$ 670.00
70**-834	BOX/BOX/FILE PEDESTAL 18X24	1	\$ 573.00	\$ 573.00
70**-1182R	DESK WING END ASSEMBLY RIGHT	1	\$ 170.00	\$ 170.00

TYPICAL TOTAL

\$ 2698.00

**** Must choose finish from available colors
40 Mocha, 41 Honey Maple, 42 Mahogany, 43 White, 47 Walnut**

PO.L.009 LAMINATE

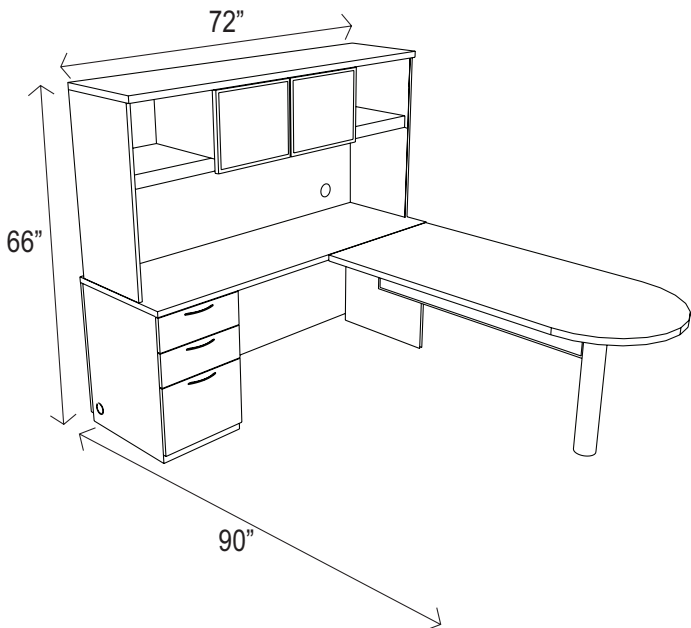


PART NO.	DESCRIPTION	QTY	LIST PRICE	TOTAL
70**-6210	66" CONFERENCE EXTENSION	1	\$ 595.00	\$ 595.00
70**-6201	72" CREDENZA TOP	1	\$ 268.00	\$ 268.00
7049-1192	50" SUPPORT BAR	1	\$ 68.00	\$ 68.00
70**-4223	54" LAMINATE MODESTY PANEL	1	\$ 166.00	\$ 166.00
70**-834	BOX/BOX/FILE PEDESTAL 18X24	1	\$ 573.00	\$ 573.00
70**-1172	CREDENZA END PANEL/WING END	1	\$ 92.00	\$ 92.00
70**-62	72" OVERHEAD CASE	1	\$ 619.00	\$ 619.00
70**-4046	LAMINATE DOORS FOR 72" OVERHEAD	1	\$ 120.00	\$ 120.00

TYPICAL TOTAL

\$ 2501.00

PO.L.009 GLASS



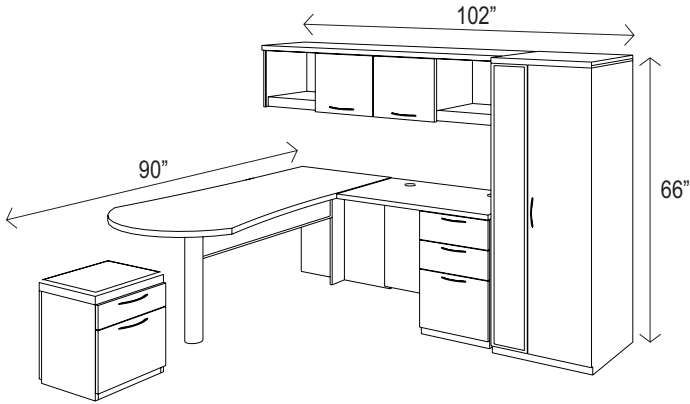
PART NO.	DESCRIPTION	QTY	LIST PRICE	TOTAL
70**-6210	66" CONFERENCE EXTENSION	1	\$ 595.00	\$ 595.00
70**-1172	CREDENZA END PANEL/WING END	1	\$ 92.00	\$ 92.00
70**-4223	54" LAMINATE MODESTY PANEL	1	\$ 166.00	\$ 166.00
7049-1192	50" SUPPORT BAR	1	\$ 68.00	\$ 68.00
70**-6201	72" CREDENZA TOP	1	\$ 268.00	\$ 268.00
70**-834	BOX/BOX/FILE PEDESTAL 18X24	1	\$ 573.00	\$ 573.00
70**-62	72" OVERHEAD CASE	1	\$ 619.00	\$ 619.00
7049-4046WG	WHITE GLASS DOORS FOR 72" OVERHEAD	1	\$ 294.00	\$ 294.00

TYPICAL TOTAL

\$ 2675.00

PO.L.010 LAMINATE

PART NO.	DESCRIPTION	QTY	LIST PRICE	TOTAL
70**-7210	72 X 36 FAN SHAPED DESK	1	\$ 954.00	\$ 954.00
70**-6205	42" BRIDGE/RETURN TOP	1	\$ 161.00	\$ 161.00
70**-6223	24" LAMINATE MODESTY PANEL	1	\$ 94.00	\$ 94.00
70**-834	BOX/BOX/FILE PEDESTAL 18X24	1	\$ 573.00	\$ 573.00
70**-70	MOBILE PEDESTAL	1	\$ 494.00	\$ 494.00
70**-404	72" WALL CABINET	1	\$ 525.00	\$ 525.00
70**-4046	LAMINATE DOORS FOR 72" OVERHEAD	1	\$ 120.00	\$ 120.00
70**-08RH	WARDROBE CABINET RIGHT HANDED	1	\$ 1345.00	\$ 1345.00

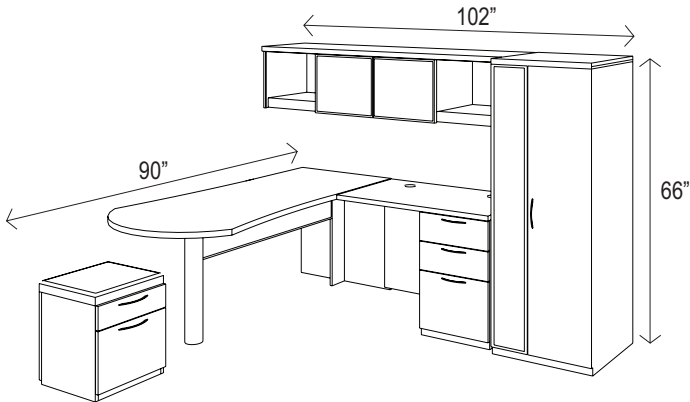


TYPICAL TOTAL

\$ 4266.00

PO.L.010 GLASS

PART NO.	DESCRIPTION	QTY	LIST PRICE	TOTAL
70**-7210	72 X 36 FAN SHAPED DESK	1	\$ 954.00	\$ 954.00
70**-6205	42" BRIDGE/RETURN TOP	1	\$ 161.00	\$ 161.00
70**-6223WG	24" WHITE GLASS MODESTY PANEL	1	\$ 252.00	\$ 252.00
70**-834	BOX/BOX/FILE PEDESTAL 18X24	1	\$ 573.00	\$ 573.00
70**-70	MOBILE PEDESTAL	1	\$ 494.00	\$ 494.00
70**-404	72" WALL CABINET	1	\$ 525.00	\$ 525.00
70**-4046WG	WHITE GLASS DOORS FOR 72" OVERHEAD	1	\$ 294.00	\$ 294.00
70**-08RH	WARDROBE CABINET RIGHT HANDED	1	\$ 1345.00	\$ 1345.00

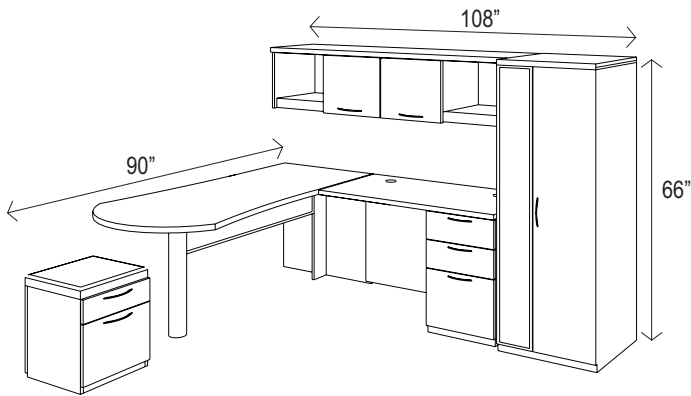


TYPICAL TOTAL

\$ 4598.00

**** Must choose finish from available colors
40 Mocha, 41 Honey Maple, 42 Mahogany, 43 White, 47 Walnut**

PO.L.011 LAMINATE

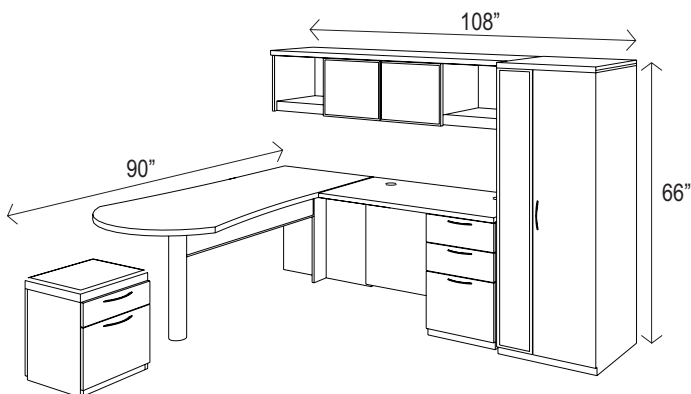


PART NO.	DESCRIPTION	QTY	LIST PRICE	TOTAL
70**-7210	72 X 36 FAN SHAPED DESK	1	\$ 954.00	\$ 954.00
70**-6203	48" BRIDGE/RETURN TOP	1	\$ 192.00	\$ 192.00
70**-9222	30" LAMINATE MODESTY PANEL	1	\$ 99.00	\$ 99.00
70**-834	BOX/BOX/FILE PEDESTAL 18X24	1	\$ 573.00	\$ 573.00
70**-70	MOBILE PEDESTAL	1	\$ 494.00	\$ 494.00
70**-404	72" WALL CABINET	1	\$ 525.00	\$ 525.00
70**-4046	LAMINATE DOORS FOR 72" OVERHEAD	1	\$ 120.00	\$ 120.00
70**-08RH	WARDROBE CABINET RIGHT HANDED	1	\$ 1345.00	\$ 1345.00

TYPICAL TOTAL

\$ 4302.00

PO.L.011 GLASS

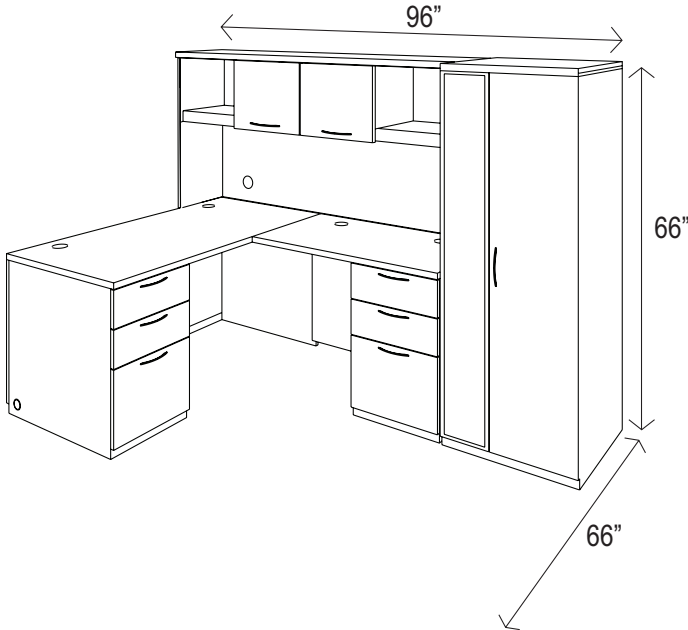


PART NO.	DESCRIPTION	QTY	LIST PRICE	TOTAL
70**-7210	72 X 36 FAN SHAPED DESK	1	\$ 954.00	\$ 954.00
70**-6203	48" BRIDGE/RETURN TOP	1	\$ 192.00	\$ 192.00
7049-9223WG	30" WHITE GLASS MODESTY PANEL	1	\$ 307.00	\$ 307.00
70**-834	BOX/BOX/FILE PEDESTAL 18X24	1	\$ 573.00	\$ 573.00
70**-70	MOBILE PEDESTAL	1	\$ 494.00	\$ 494.00
70**-404	72" WALL CABINET	1	\$ 525.00	\$ 525.00
7049-4046WG	WHITE GLASS DOORS FOR 72" OVERHEAD	1	\$ 294.00	\$ 294.00
70**-08RH	WARDROBE CABINET RIGHT HANDED	1	\$ 1345.00	\$ 1345.00

TYPICAL TOTAL

\$ 4684.00

PO.L.012 LAMINATE

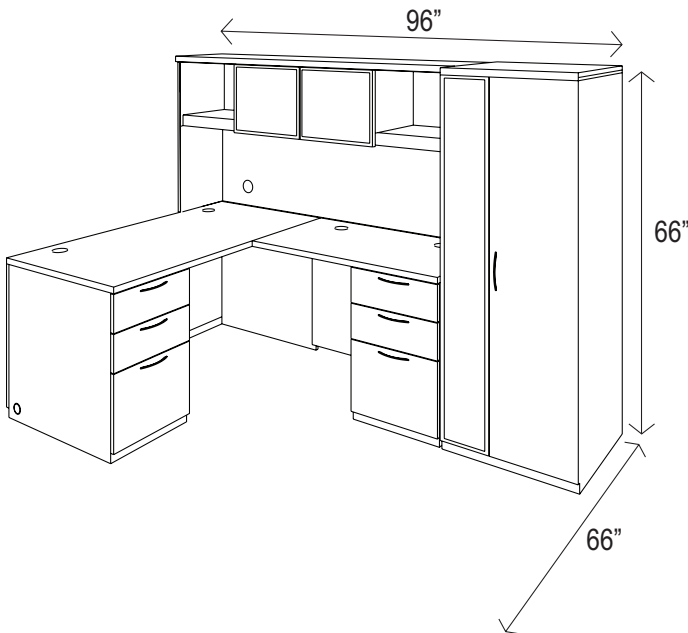


PART NO.	DESCRIPTION	QTY	LIST PRICE	TOTAL
70**-9211	66" STRAIGHT FRONT DESK TOP	1	\$ 279.00	\$ 279.00
70**-6205	42" BRIDGE/RETURN TOP	1	\$ 161.00	\$ 161.00
70**-9222	30" LAMINATE MODESTY PANEL	1	\$ 99.00	\$ 99.00
70**-6223	24" LAMINATE MODESTY PANEL	1	\$ 94.00	\$ 94.00
70**-831	BOX/BOX/FILE PEDESTAL 18X30	1	\$ 670.00	\$ 670.00
70**-834	BOX/BOX/FILE PEDESTAL 18X24	1	\$ 573.00	\$ 573.00
70**-1182R	DESK WING END ASSEMBLY RIGHT	1	\$ 170.00	\$ 170.00
70**-62	72" OVERHEAD CASE	1	\$ 619.00	\$ 619.00
70**-4046	LAMINATE DOORS FOR 72" OVERHEAD	1	\$ 120.00	\$ 120.00
70**-08RH	WARDROBE CABINET RIGHT HANDED	1	\$ 1345.00	\$ 1345.00

TYPICAL TOTAL

\$ 4130.00

PO.L.012 GLASS



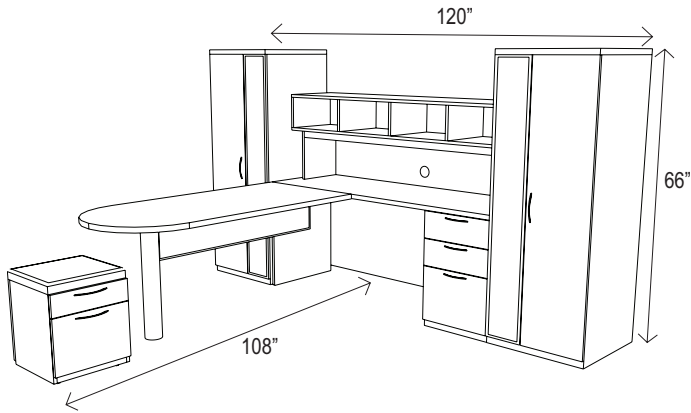
PART NO.	DESCRIPTION	QTY	LIST PRICE	TOTAL
70**-9211	66" STRAIGHT FRONT DESK TOP	1	\$ 279.00	\$ 279.00
70**-6205	42" BRIDGE/RETURN TOP	1	\$ 161.00	\$ 161.00
7049-9223WG	30" WHITE GLASS MODESTY PANEL	1	\$ 307.00	\$ 307.00
7049-6223WG	24" WHITE GLASS MODESTY PANEL	1	\$ 252.00	\$ 252.00
70**-831	BOX/BOX/FILE PEDESTAL 18X30	1	\$ 670.00	\$ 670.00
70**-834	BOX/BOX/FILE PEDESTAL 18X24	1	\$ 573.00	\$ 573.00
70**-1182R	DESK WING END ASSEMBLY RIGHT	1	\$ 170.00	\$ 170.00
70**-62	72" OVERHEAD CASE	1	\$ 619.00	\$ 619.00
7049-4046WG	WHITE GLASS DOORS FOR 72" OVERHEAD	1	\$ 294.00	\$ 294.00
70**-08RH	WARDROBE CABINET RIGHT HANDED	1	\$ 1345.00	\$ 1345.00

TYPICAL TOTAL

\$ 4670.00

** Must choose finish from available colors
 40 Mocha, 41 Honey Maple, 42 Mahogany, 43 White, 47 Walnut

PO.L.013



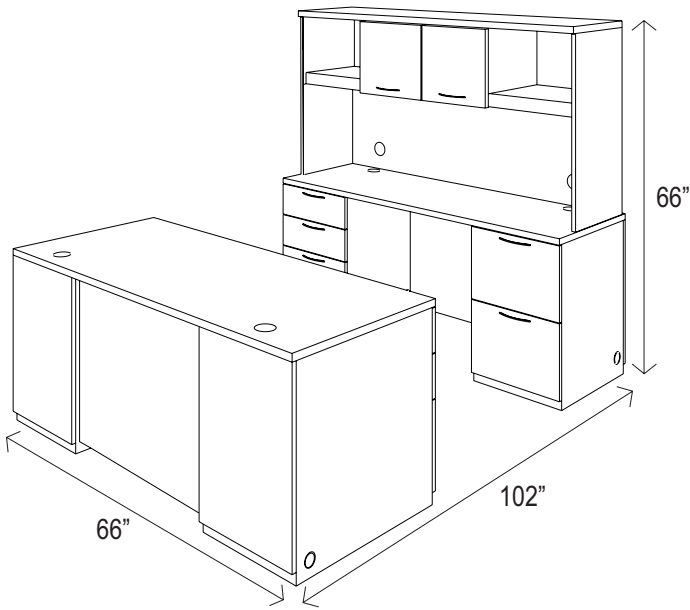
PART NO.	DESCRIPTION	QTY	LIST PRICE	TOTAL
70**-6210	66" CONFERENCE EXTENSION	1	\$ 595.00	\$ 595.00
70**-6201	72" CREDENZA TOP	1	\$ 268.00	\$ 268.00
7049-1192	50" SUPPORT BAR	1	\$ 68.00	\$ 68.00
70**-4223	54" LAMINATE MODESTY PANEL	1	\$ 166.00	\$ 166.00
70**-834	BOX/BOX/FILE PEDESTAL 18X24	1	\$ 573.00	\$ 573.00
70**-1172	CREDENZA END PANEL/WING END	1	\$ 92.00	\$ 92.00
70**-70	MOBILE PEDESTAL	1	\$ 494.00	\$ 494.00
70**-173	72" DESK DECK	1	\$ 456.00	\$ 456.00
70**-08LH	WARDROBE CABINET LEFT HANDED	1	\$ 1345.00	\$ 1345.00
70**-08RH	WARDROBE CABINET RIGHT HANDED	1	\$ 1345.00	\$ 1345.00

* Helpful Hint: This typical can be shown with both or just one of the wardrobes

TYPICAL TOTAL

\$ 5402.00

PO.D.014 LAMINATE

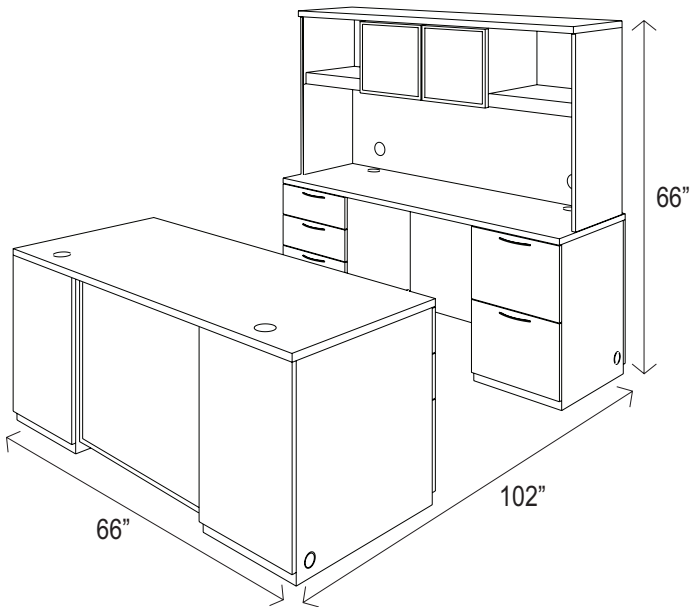


PART NO.	DESCRIPTION	QTY	LIST PRICE	TOTAL
70**-9211	66" STRAIGHT FRONT DESK TOP	1	\$ 279.00	\$ 279.00
70**-6202	66" CREENZA TOP	1	\$ 252.00	\$ 252.00
70**-9222	30" LAMINATE MODESTY PANEL	2	\$ 99.00	\$ 198.00
70**-831	BOX/BOX/FILE PEDESTAL 18X30	2	\$ 670.00	\$ 1340.00
70**-833	FILE/FILE PEDESTAL 18X24	1	\$ 573.00	\$ 573.00
70**-834	BOX/BOX/FILE PEDESTAL 18X24	1	\$ 573.00	\$ 573.00
70**-61	66" OVERHEAD CASE	1	\$ 598.00	\$ 598.00
70**-4036	LAMINATE DOORS FOR 66" OVERHEAD	1	\$ 109.00	\$ 109.00

TYPICAL TOTAL

\$ 3922.00

PO.D.014 GLASS



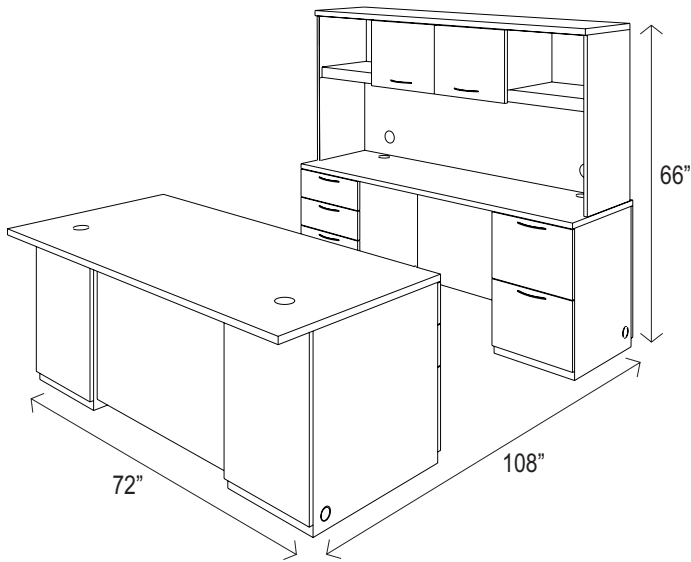
PART NO.	DESCRIPTION	QTY	LIST PRICE	TOTAL
70**-9211	66" STRAIGHT FRONT DESK TOP	1	\$ 279.00	\$ 279.00
70**-6202	66" CREENZA TOP	1	\$ 252.00	\$ 252.00
7049-9223WG	30" WHITE GLASS MODESTY PANEL	2	\$ 307.00	\$ 614.00
70**-831	BOX/BOX/FILE PEDESTAL 18X30	2	\$ 670.00	\$ 1340.00
70**-833	FILE/FILE PEDESTAL 18X24	1	\$ 573.00	\$ 573.00
70**-834	BOX/BOX/FILE PEDESTAL 18X24	1	\$ 573.00	\$ 573.00
70**-61	66" OVERHEAD CASE	1	\$ 598.00	\$ 598.00
7049-4036WG	WHITE GLASS DOORS FOR 66" OVERHEAD	1	\$ 284.00	\$ 284.00

TYPICAL TOTAL

\$ 4513.00

** Must choose finish from available colors
 40 Mocha, 41 Honey Maple, 42 Mahogany, 43 White, 47 Walnut

PO.D.015 LAMINATE

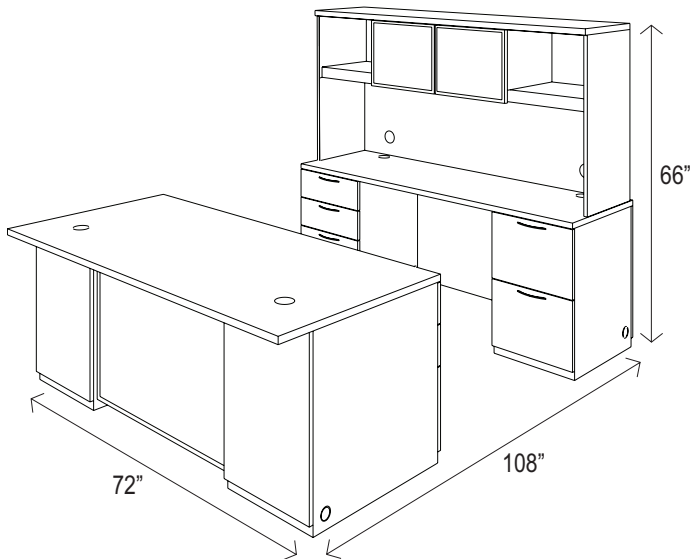


PART NO.	DESCRIPTION	QTY	LIST PRICE	TOTAL
70**-8211	72" STRAIGHT FRONT DESK TOP	1	\$ 359.00	\$ 359.00
70**-6201	72" CREDENZA TOP	1	\$ 268.00	\$ 268.00
70**-8222	36" LAMINATE MODESTY PANEL	2	\$ 145.00	\$ 290.00
70**-831	BOX/BOX/FILE PEDESTAL 18X30	2	\$ 670.00	\$ 1340.00
70**-833	FILE/FILE PEDESTAL 18X24	1	\$ 573.00	\$ 573.00
70**-834	BOX/BOX/FILE PEDESTAL 18X24	1	\$ 573.00	\$ 573.00
70**-62	72" OVERHEAD CASE	1	\$ 619.00	\$ 619.00
70**-4046	LAMINATE DOORS FOR 72" OVERHEAD	1	\$ 120.00	\$ 120.00

TYPICAL TOTAL

\$ 4142.00

PO.D.015 GLASS

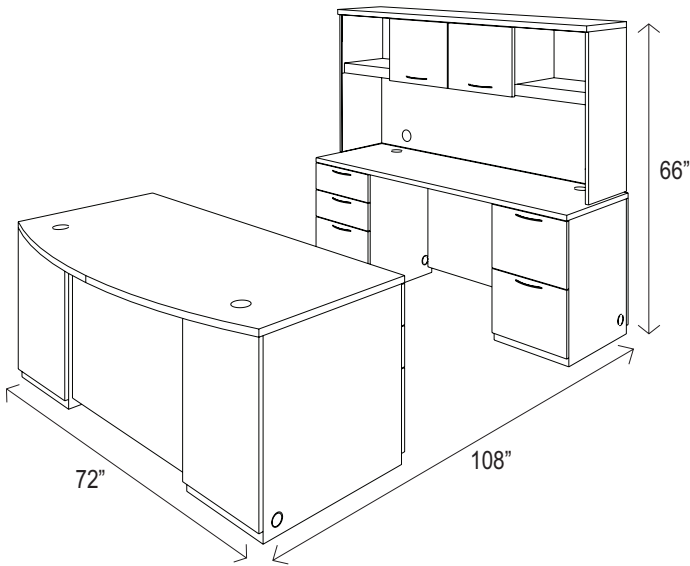


PART NO.	DESCRIPTION	QTY	LIST PRICE	TOTAL
70**-8211	72" STRAIGHT FRONT DESK TOP	1	\$ 359.00	\$ 359.00
70**-6201	72" CREDENZA TOP	1	\$ 268.00	\$ 268.00
7049-8223WG	36" WHITE GLASS MODESTY PANEL	2	\$ 359.00	\$ 718.00
70**-831	BOX/BOX/FILE PEDESTAL 18X30	2	\$ 670.00	\$ 1340.00
70**-833	FILE/FILE PEDESTAL 18X24	1	\$ 573.00	\$ 573.00
70**-834	BOX/BOX/FILE PEDESTAL 18X24	1	\$ 573.00	\$ 573.00
70**-62	72" OVERHEAD CASE	1	\$ 619.00	\$ 619.00
7049-4046WG	WHITE GLASS DOORS FOR 72" OVERHEAD	1	\$ 294.00	\$ 294.00

TYPICAL TOTAL

\$ 4744.00

PO.D.016 LAMINATE

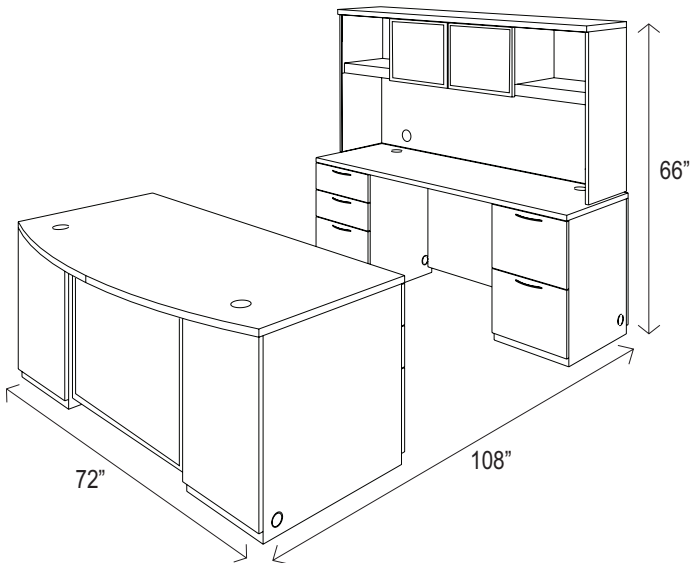


PART NO.	DESCRIPTION	QTY	LIST PRICE	TOTAL
70**-8221	72" BOW FRONT DESK TOP	1	\$ 359.00	\$ 359.00
70**-6201	72" CREDENZA TOP	1	\$ 268.00	\$ 268.00
70**-8222	36" LAMINATE MODESTY PANEL	2	\$ 145.00	\$ 290.00
70**-831	BOX/BOX/FILE PEDESTAL 18X30	2	\$ 670.00	\$ 1340.00
70**-833	FILE/FILE PEDESTAL 18X24	1	\$ 573.00	\$ 573.00
70**-834	BOX/BOX/FILE PEDESTAL 18X24	1	\$ 573.00	\$ 573.00
70**-62	72" OVERHEAD CASE	1	\$ 619.00	\$ 619.00
70**-4046	LAMINATE DOORS FOR 72" OVERHEAD	1	\$ 120.00	\$ 120.00

TYPICAL TOTAL

\$ 4142.00

PO.D.016 GLASS



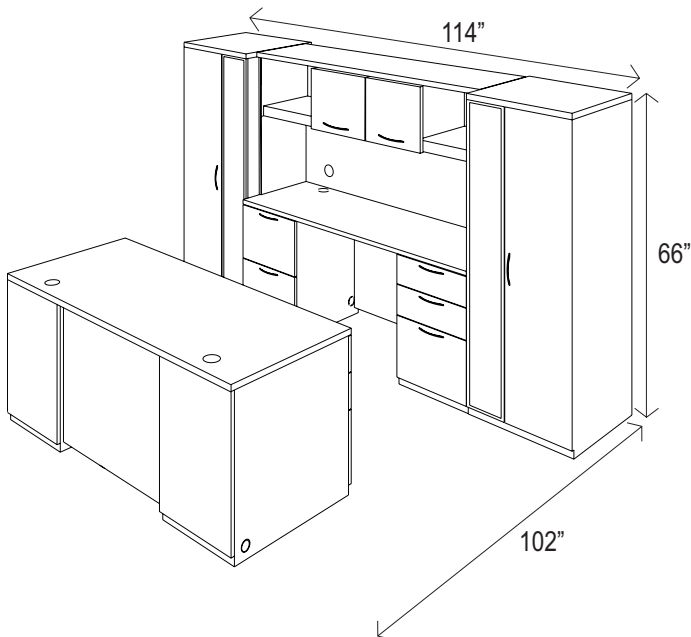
PART NO.	DESCRIPTION	QTY	LIST PRICE	TOTAL
70**-8221	72" BOW FRONT DESK TOP	1	\$ 359.00	\$ 359.00
70**-6201	72" CREDENZA TOP	1	\$ 268.00	\$ 268.00
7049-8223WG	36" WHITE GLASS MODESTY PANEL	2	\$ 359.00	\$ 718.00
70**-831	BOX/BOX/FILE PEDESTAL 18X30	2	\$ 670.00	\$ 1340.00
70**-833	FILE/FILE PEDESTAL 18X24	1	\$ 573.00	\$ 573.00
70**-834	BOX/BOX/FILE PEDESTAL 18X24	1	\$ 573.00	\$ 573.00
70**-62	72" OVERHEAD CASE	1	\$ 619.00	\$ 619.00
7049-4046WG	WHITE GLASS DOORS FOR 72" OVERHEAD	1	\$ 294.00	\$ 294.00

TYPICAL TOTAL

\$ 4744.00

**** Must choose finish from available colors
40 Mocha, 41 Honey Maple, 42 Mahogany, 43 White, 47 Walnut**

PO.D.017 LAMINATE

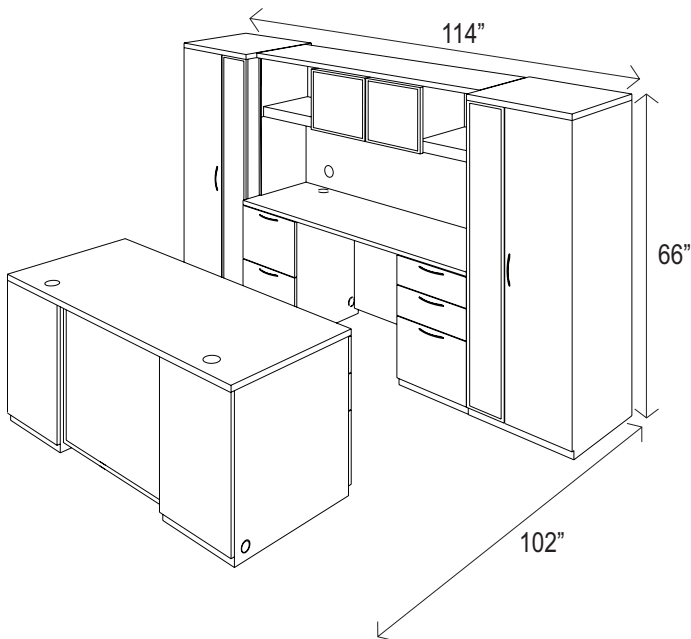


PART NO.	DESCRIPTION	QTY	LIST PRICE	TOTAL
70**-9211	66" STRAIGHT FRONT DESK TOP	1	\$ 279.00	\$ 279.00
70**-6202	66" CREENZA TOP	1	\$ 252.00	\$ 252.00
70**-9222	30" LAMINATE MODESTY PANEL	2	\$ 99.00	\$ 198.00
70**-831	BOX/BOX/FILE PEDESTAL 18X30	2	\$ 670.00	\$ 1340.00
70**-833	FILE/FILE PEDESTAL 18X24	1	\$ 573.00	\$ 573.00
70**-834	BOX/BOX/FILE PEDESTAL 18X24	1	\$ 573.00	\$ 573.00
70**-61	66" OVERHEAD CASE	1	\$ 598.00	\$ 598.00
70**-4036	LAMINATE DOORS FOR 66" OVERHEAD	1	\$ 109.00	\$ 109.00
70**-08LH	WARDROBE CABINET LEFT HANDED	1	\$ 1345.00	\$ 1345.00
70**-08RH	WARDROBE CABINET RIGHT HANDED	1	\$ 1345.00	\$ 1345.00

TYPICAL TOTAL

\$ 6612.00

PO.D.017 GLASS



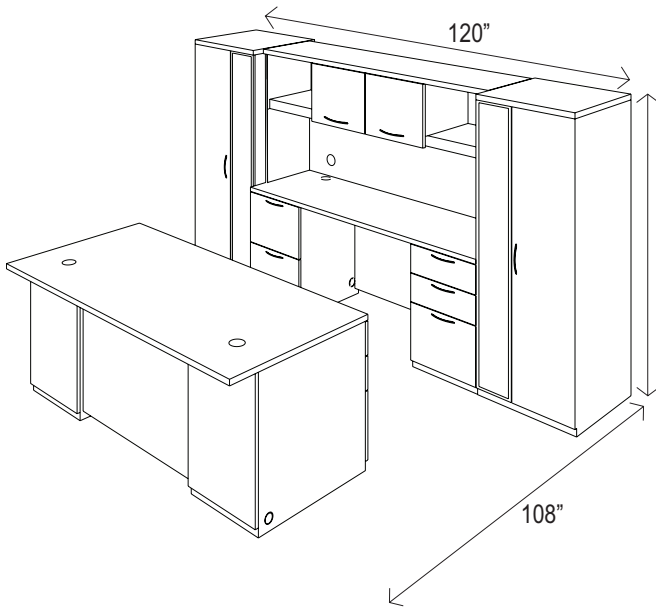
PART NO.	DESCRIPTION	QTY	LIST PRICE	TOTAL
70**-9211	66" STRAIGHT FRONT DESK TOP	1	\$ 279.00	\$ 279.00
70**-6202	66" CREENZA TOP	1	\$ 252.00	\$ 252.00
7049-9223WG	30" WHITE GLASS MODESTY PANEL	2	\$ 307.00	\$ 614.00
70**-831	BOX/BOX/FILE PEDESTAL 18X30	2	\$ 670.00	\$ 1340.00
70**-833	FILE/FILE PEDESTAL 18X24	1	\$ 573.00	\$ 573.00
70**-834	BOX/BOX/FILE PEDESTAL 18X24	1	\$ 573.00	\$ 573.00
70**-61	66" OVERHEAD CASE	1	\$ 598.00	\$ 598.00
7049-4036WG	WHITE GLASS DOORS FOR 66" OVERHEAD	1	\$ 284.00	\$ 284.00
70**-08LH	WARDROBE CABINET LEFT HANDED	1	\$ 1345.00	\$ 1345.00
70**-08RH	WARDROBE CABINET RIGHT HANDED	1	\$ 1345.00	\$ 1345.00

TYPICAL TOTAL

\$ 7203.00

** Must choose finish from available colors
40 Mocha, 41 Honey Maple, 42 Mahogany, 43 White, 47 Walnut

PO.D.018 LAMINATE



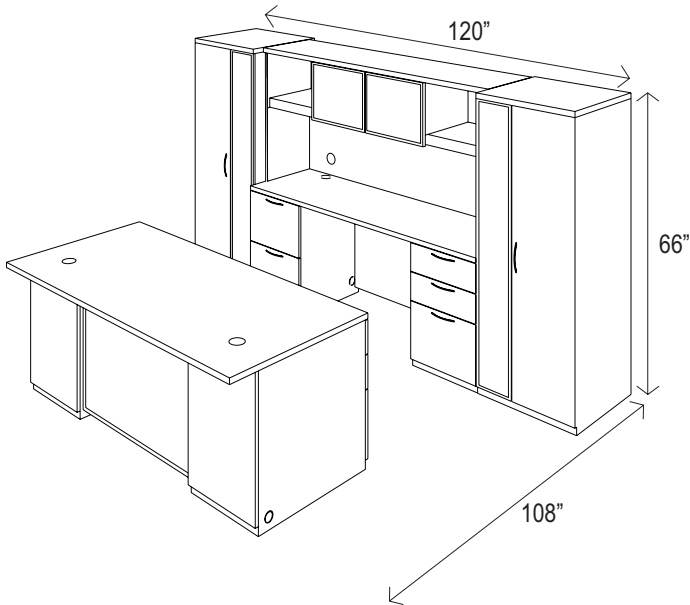
PART NO.	DESCRIPTION	QTY	LIST PRICE	TOTAL
70**-8211	72" STRAIGHT FRONT DESK TOP	1	\$ 359.00	\$ 359.00
70**-6201	72" CREDENZA TOP	1	\$ 268.00	\$ 268.00
70**-8222	36" LAMINATE MODESTY PANEL	2	\$ 145.00	\$ 290.00
70**-831	BOX/BOX/FILE PEDESTAL 18X30	2	\$ 670.00	\$ 1340.00
70**-833	FILE/FILE PEDESTAL 18X24	1	\$ 573.00	\$ 573.00
70**-834	BOX/BOX/FILE PEDESTAL 18X24	1	\$ 573.00	\$ 573.00
70**-62	72" OVERHEAD CASE	1	\$ 619.00	\$ 619.00
70**-4046	LAMINATE DOORS FOR 72" OVERHEAD	1	\$ 120.00	\$ 120.00
70**-08LH	WARDROBE CABINET LEFT HANDED	1	\$ 1345.00	\$ 1345.00
70**-08RH	WARDROBE CABINET RIGHT HANDED	1	\$ 1345.00	\$ 1345.00

* Helpful Hint: This typical can be shown with both or just one of the wardrobes

TYPICAL TOTAL

\$ 6832.00

PO.D.018 GLASS



PART NO.	DESCRIPTION	QTY	LIST PRICE	TOTAL
70**-8211	72" STRAIGHT FRONT DESK TOP	1	\$ 359.00	\$ 359.00
70**-6201	72" CREDENZA TOP	1	\$ 268.00	\$ 268.00
7049-8223WG	36" WHITE GLASS MODESTY PANEL	2	\$ 359.00	\$ 718.00
70**-831	BOX/BOX/FILE PEDESTAL 18X30	2	\$ 670.00	\$ 1340.00
70**-833	FILE/FILE PEDESTAL 18X24	1	\$ 573.00	\$ 573.00
70**-834	BOX/BOX/FILE PEDESTAL 18X24	1	\$ 573.00	\$ 573.00
70**-62	72" OVERHEAD CASE	1	\$ 619.00	\$ 619.00
7049-4046WG	WHITE GLASS DOORS FOR 72" OVERHEAD	1	\$ 294.00	\$ 294.00
70**-08LH	WARDROBE CABINET LEFT HANDED	1	\$ 1345.00	\$ 1345.00
70**-08RH	WARDROBE CABINET RIGHT HANDED	1	\$ 1345.00	\$ 1345.00

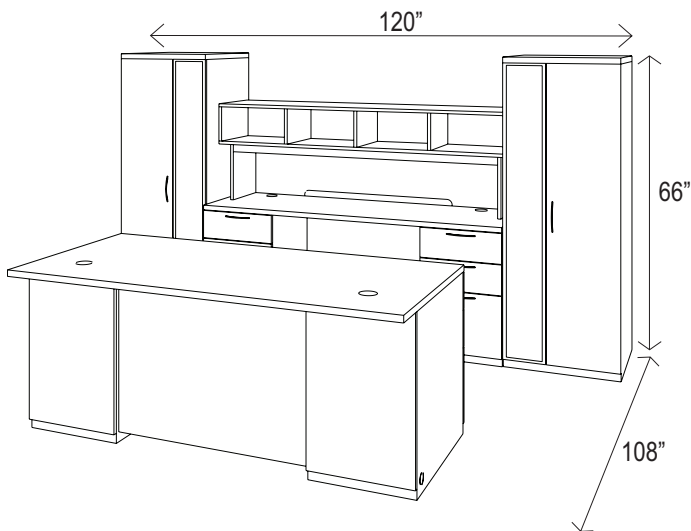
* Helpful Hint: This typical can be shown with both or just one of the wardrobes

TYPICAL TOTAL

\$ 7434.00

** Must choose finish from available colors
 40 Mocha, 41 Honey Maple, 42 Mahogany, 43 White, 47 Walnut

PO.D.019 LAMINATE



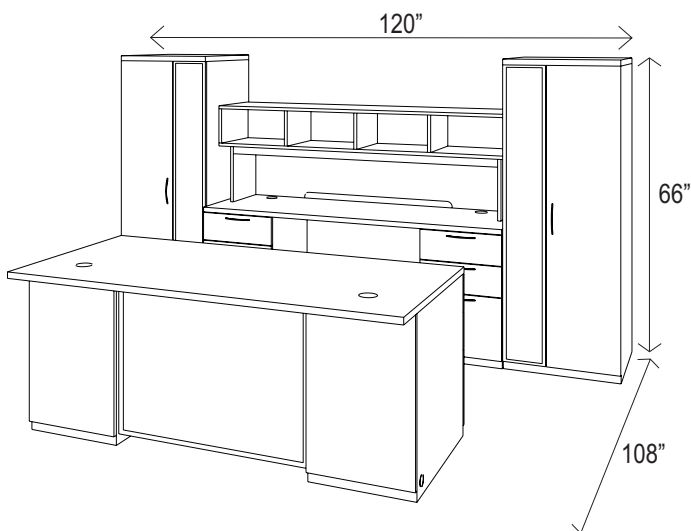
PART NO.	DESCRIPTION	QTY	LIST PRICE	TOTAL
70**-8211	72" STRAIGHT FRONT DESK TOP	1	\$ 359.00	\$ 359.00
70**-6201	72" CREDENZA TOP	1	\$ 268.00	\$ 268.00
70**-8222	36" LAMINATE MODESTY PANEL	2	\$ 145.00	\$ 290.00
70**-831	BOX/BOX/FILE PEDESTAL 18X30	2	\$ 670.00	\$ 1340.00
70**-834	BOX/BOX/FILE PEDESTAL 18X24	2	\$ 573.00	\$ 1146.00
70**-173	72" DESK DECK	1	\$ 456.00	\$ 456.00
70**-08RH	WARDROBE CABINET RIGHT HANDED	1	\$ 1345.00	\$ 1345.00
70**-08LH	WARDROBE CABINET LEFT HANDED	1	\$ 1345.00	\$ 1345.00

* Helpful Hint: This typical can be shown with both or just one of the wardrobes

TYPICAL TOTAL

\$ 6549.00

PO.D.019 GLASS



PART NO.	DESCRIPTION	QTY	LIST PRICE	TOTAL
70**-8211	72" STRAIGHT FRONT DESK TOP	1	\$ 359.00	\$ 359.00
70**-6201	72" CREDENZA TOP	1	\$ 268.00	\$ 268.00
7049-8223WG	36" WHITE GLASS MODESTY PANEL	2	\$ 359.00	\$ 718.00
70**-831	BOX/BOX/FILE PEDESTAL 18X30	2	\$ 670.00	\$ 1340.00
70**-834	BOX/BOX/FILE PEDESTAL 18X24	2	\$ 573.00	\$ 1146.00
70**-173	72" DESK DECK	1	\$ 456.00	\$ 456.00
70**-08LH	WARDROBE CABINET LEFT HANDED	1	\$ 1345.00	\$ 1345.00
70**-08RH	WARDROBE CABINET RIGHT HANDED	1	\$ 1345.00	\$ 1345.00

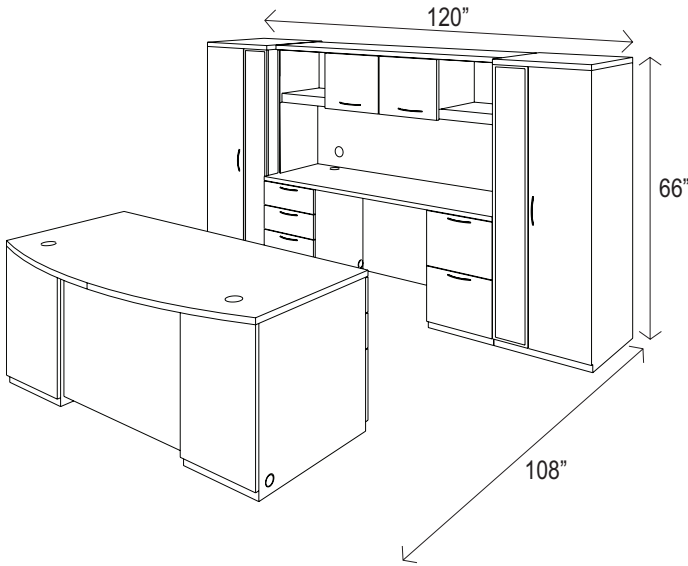
* Helpful Hint: This typical can be shown with both or just one of the wardrobes

TYPICAL TOTAL

\$ 6977.00

** Must choose finish from available colors
40 Mocha, 41 Honey Maple, 42 Mahogany, 43 White, 47 Walnut

PO.D.020 LAMINATE



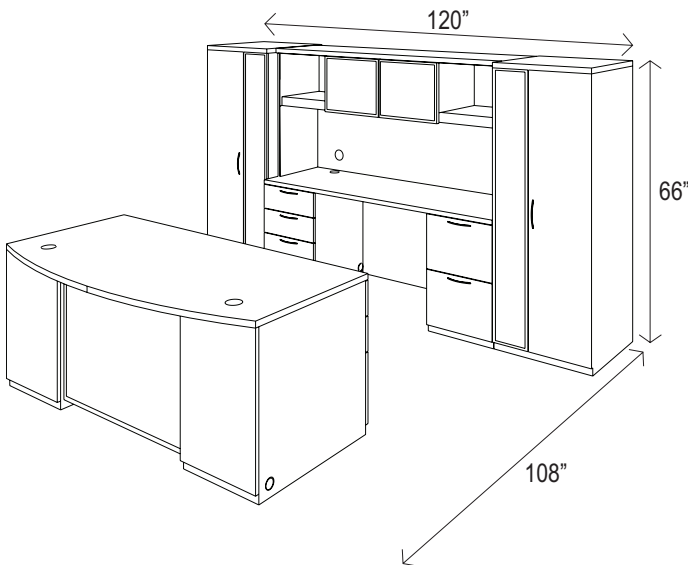
PART NO.	DESCRIPTION	QTY	LIST PRICE	TOTAL
70**-8221	72" BOW FRONT DESK TOP	1	\$ 359.00	\$ 359.00
70**-6201	72" CREDENZA TOP	1	\$ 268.00	\$ 268.00
70**-8222	36" LAMINATE MODESTY PANEL	2	\$ 145.00	\$ 290.00
70**-831	BOX/BOX/FILE PEDESTAL 18X30	2	\$ 670.00	\$ 1340.00
70**-833	FILE/FILE PEDESTAL 18X24	1	\$ 573.00	\$ 573.00
70**-834	BOX/BOX/FILE PEDESTAL 18X24	1	\$ 573.00	\$ 573.00
70**-62	72" OVERHEAD CASE	1	\$ 619.00	\$ 619.00
70**-4046	LAMINATE DOORS FOR 72" OVERHEAD	1	\$ 120.00	\$ 120.00
70**-08LH	WARDROBE CABINET LEFT HANDED	1	\$ 1345.00	\$ 1345.00
70**-08RH	WARDROBE CABINET RIGHT HANDED	1	\$ 1345.00	\$ 1345.00

* Helpful Hint: This typical can be shown with both or just one of the wardrobes

TYPICAL TOTAL

\$ 6832.00

PO.D.020 GLASS



PART NO.	DESCRIPTION	QTY	LIST PRICE	TOTAL
70**-8221	72" BOW FRONT DESK TOP	1	\$ 359.00	\$ 359.00
70**-6201	72" CREDENZA TOP	1	\$ 268.00	\$ 268.00
7049-8223WG	36" WHITE GLASS MODESTY PANEL	2	\$ 359.00	\$ 718.00
70**-831	BOX/BOX/FILE PEDESTAL 18X30	2	\$ 670.00	\$ 1340.00
70**-833	FILE/FILE PEDESTAL 18X24	1	\$ 573.00	\$ 573.00
70**-834	BOX/BOX/FILE PEDESTAL 18X24	1	\$ 573.00	\$ 573.00
70**-62	72" OVERHEAD CASE	1	\$ 619.00	\$ 619.00
7049-4046WG	WHITE GLASS DOORS FOR 72" OVERHEAD	1	\$ 294.00	\$ 294.00
70**-08LH	WARDROBE CABINET LEFT HANDED	1	\$ 1345.00	\$ 1345.00
70**-08RH	WARDROBE CABINET RIGHT HANDED	1	\$ 1345.00	\$ 1345.00

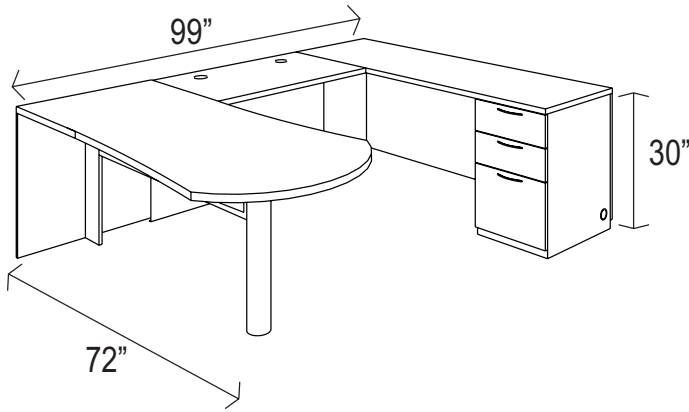
* Helpful Hint: This typical can be shown with both or just one of the wardrobes

TYPICAL TOTAL

\$ 7434.00

** Must choose finish from available colors
 40 Mocha, 41 Honey Maple, 42 Mahogany, 43 White, 47 Walnut

PO.U.021 LAMINATE

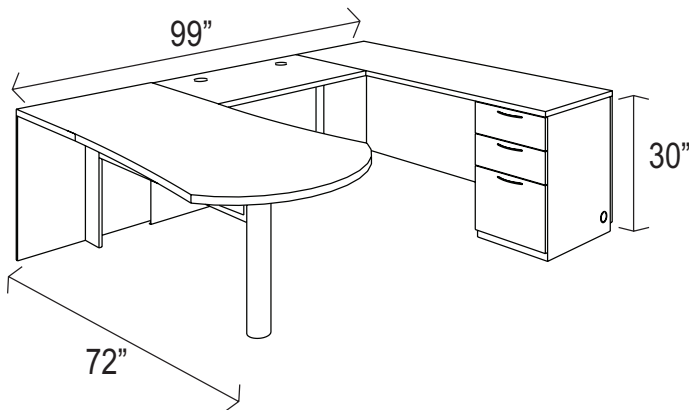


PART NO.	DESCRIPTION	QTY	LIST PRICE	TOTAL
70**-7210	72" FAN SHAPED DESK	1	\$ 954.00	\$ 954.00
70**-6201	72" CREENZA TOP	1	\$ 268.00	\$ 268.00
70**-6205	42" BRIDGE/RETURN TOP	1	\$ 161.00	\$ 161.00
7049-1192	TOP SUPPORT RAILS 50"	1	\$ 68.00	\$ 68.00
70**-4223	54" LAMINATE MODESTY PANEL	1	\$ 166.00	\$ 166.00
70**-3223	42" LAMINATE BRIDGE MODESTY PANEL	1	\$ 161.00	\$ 161.00
70**-834	BOX/BOX/FILE PEDESTAL 18X24	1	\$ 573.00	\$ 573.00
70**-1172	CREENZA END PANEL/WING END	1	\$ 92.00	\$ 92.00

TYPICAL TOTAL

\$ 2443.00

PO.U.021 GLASS

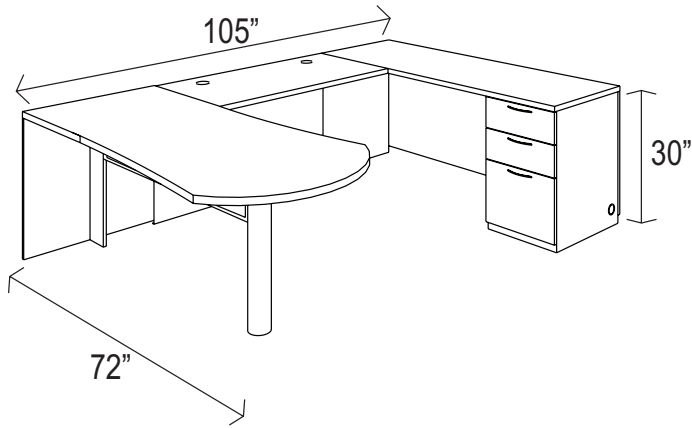


PART NO.	DESCRIPTION	QTY	LIST PRICE	TOTAL
70**-7210	72" FAN SHAPED DESK	1	\$ 954.00	\$ 954.00
70**-6201	72" CREENZA TOP	1	\$ 268.00	\$ 268.00
70**-6205	42" BRIDGE/RETURN TOP	1	\$ 161.00	\$ 161.00
70**-4223	54" LAMINATE MODESTY PANEL	1	\$ 166.00	\$ 166.00
7049-3323WG	42" WHITE GLASS BRIDGE MODESTY	1	\$ 423.00	\$ 423.00
7049-1192	TOP SUPPORT RAILS 50"	1	\$ 68.00	\$ 68.00
70**-834	BOX/BOX/FILE PEDESTAL 18X24	1	\$ 573.00	\$ 573.00
70**-1172	CREENZA END PANEL/WING END	1	\$ 92.00	\$ 92.00

TYPICAL TOTAL

\$ 2705.00

PO.U.022 LAMINATE

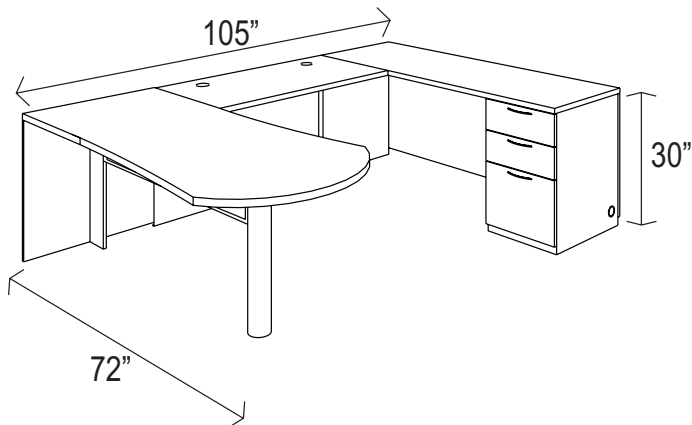


PART NO.	DESCRIPTION	QTY	LIST PRICE	TOTAL
70**-7210	72" FAN SHAPED DESK	1	\$ 954.00	\$ 954.00
70**-6201	72" CREDENZA TOP	1	\$ 268.00	\$ 268.00
70**-6203	48" BRIDGE/RETURN TOP	1	\$ 192.00	\$ 192.00
7049-1192	TOP SUPPORT RAILS 50"	1	\$ 68.00	\$ 68.00
7049-1193	TOP SUPPORT RAILS 44"	1	\$ 57.00	\$ 57.00
70**-4223	54" LAMINATE MODESTY PANEL	1	\$ 166.00	\$ 166.00
70**-5223	48" LAMINATE BRIDGE MODESTY PANEL	1	\$ 166.00	\$ 166.00
70**-834	BOX/BOX/FILE PEDESTAL 18X24	1	\$ 573.00	\$ 573.00
70**-1172	CREDENZA END PANEL/WING END	1	\$ 92.00	\$ 92.00

TYPICAL TOTAL

\$ 2536.00

PO.U.022 GLASS



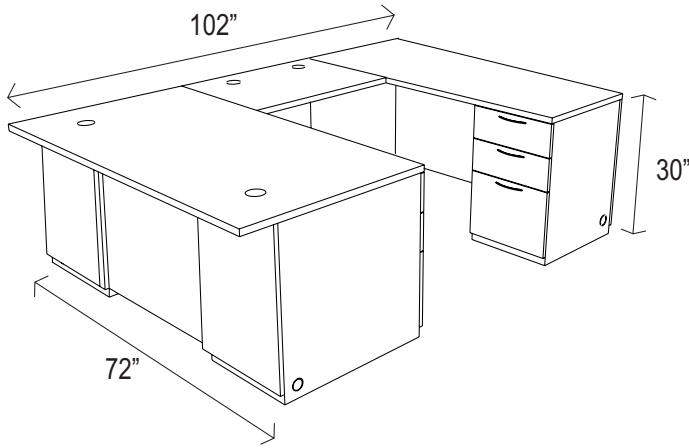
PART NO.	DESCRIPTION	QTY	LIST PRICE	TOTAL
70**-7210	72" FAN SHAPED DESK	1	\$ 954.00	\$ 954.00
70**-6201	72" CREDENZA TOP	1	\$ 268.00	\$ 268.00
70**-6203	48" BRIDGE/RETURN TOP	1	\$ 192.00	\$ 192.00
7049-1192	TOP SUPPORT RAILS 50"	1	\$ 68.00	\$ 68.00
7049-1193	TOP SUPPORT RAILS 44"	1	\$ 57.00	\$ 57.00
70**-4223	54" LAMINATE MODESTY PANEL	1	\$ 166.00	\$ 166.00
7049-5223WG	48" WHITE GLASS BRIDGE MODESTY	1	\$ 466.00	\$ 466.00
70**-834	BOX/BOX/FILE PEDESTAL 18X24	1	\$ 573.00	\$ 573.00
70**-1172	CREDENZA END PANEL/WING END	1	\$ 92.00	\$ 92.00

TYPICAL TOTAL

\$ 2836.00

**** Must choose finish from available colors
40 Mocha, 41 Honey Maple, 42 Mahogany, 43 White, 47 Walnut**

PO.U.023 LAMINATE

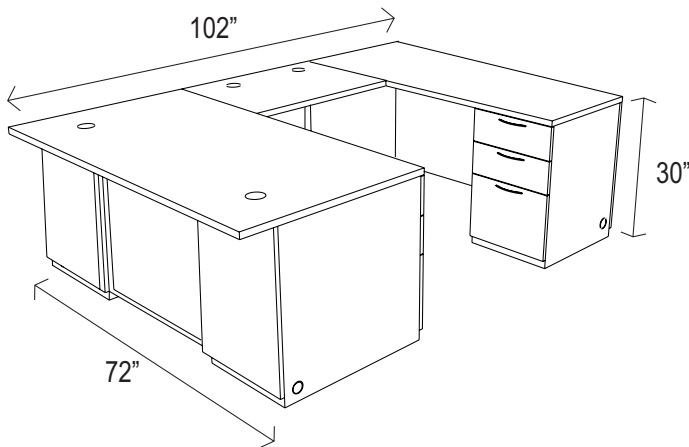


PART NO.	DESCRIPTION	QTY	LIST PRICE	TOTAL
70**-8211	72" STRAIGHT FRONT DESK TOP	1	\$ 359.00	\$ 359.00
70**-6201	72" CREDENZA TOP	1	\$ 268.00	\$ 268.00
70**-6205	42" BRIDGE/RETURN TOP	1	\$ 161.00	\$ 161.00
7049-1192	TOP SUPPORT RAILS 50"	2	\$ 68.00	\$ 136.00
70**-4223	54" LAMINATE MODESTY PANEL	1	\$ 166.00	\$ 166.00
70**-3223	42" LAMINATE BRIDGE MODESTY PANEL	1	\$ 161.00	\$ 161.00
70**-8222	36" LAMINATE MODESTY PANEL	1	\$ 145.00	\$ 145.00
70**-831	BOX/BOX/FILE PEDESTAL, 18X30	1	\$ 670.00	\$ 670.00
70**-834	BOX/BOX/FILE PEDESTAL 18X24	1	\$ 573.00	\$ 573.00
70**-1182R	DESK WING END ASSEMBLY, RIGHT	1	\$ 170.00	\$ 170.00
70**-1172	CREDENZA END PANEL/WING END	1	\$ 92.00	\$ 92.00

TYPICAL TOTAL

\$ 2901.00

PO.U.023 GLASS

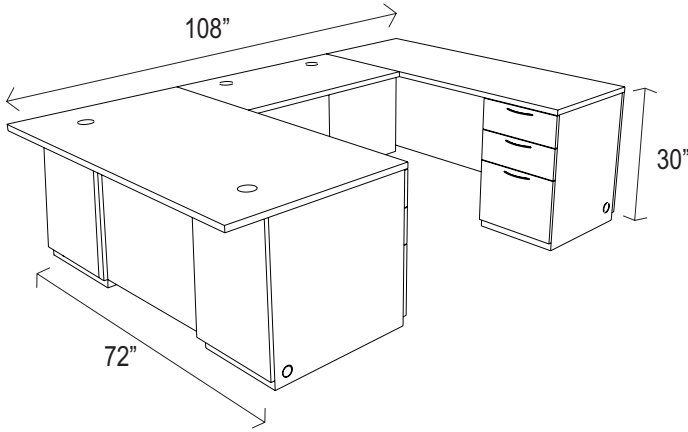


PART NO.	DESCRIPTION	QTY	LIST PRICE	TOTAL
70**-8211	72" STRAIGHT FRONT DESK TOP	1	\$ 359.00	\$ 359.00
70**-6201	72" CREDENZA TOP	1	\$ 268.00	\$ 268.00
70**-6205	42" BRIDGE/RETURN TOP	1	\$ 161.00	\$ 161.00
7049-1192	TOP SUPPORT RAILS 50"	2	\$ 68.00	\$ 136.00
70**-4223	54" LAMINATE MODESTY PANEL	1	\$ 166.00	\$ 166.00
7049-3223WG	42" WHITE GLASS BRIDGE MODESTY	1	\$ 423.00	\$ 423.00
7049-8223WG	36" WHITE GLASS MODESTY PANEL	1	\$ 359.00	\$ 359.00
70**-831	BOX/BOX/FILE PEDESTAL, 18X30	1	\$ 670.00	\$ 670.00
70**-834	BOX/BOX/FILE PEDESTAL 18X24	1	\$ 573.00	\$ 573.00
70**-1182R	DESK WING END ASSEMBLY, RIGHT	1	\$ 170.00	\$ 170.00
70**-1172	CREDENZA END PANEL/WING END	1	\$ 92.00	\$ 92.00

TYPICAL TOTAL

\$ 3377.00

PO.U.024 LAMINATE

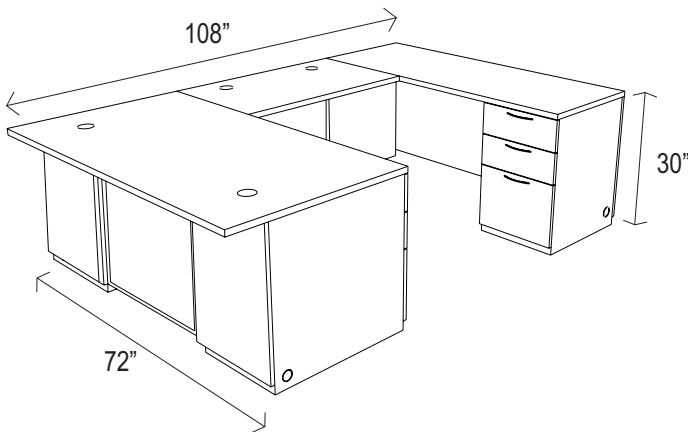


PART NO.	DESCRIPTION	QTY	LIST PRICE	TOTAL
70**-8211	72" STRAIGHT FRONT DESK TOP	1	\$ 359.00	\$ 359.00
70**-6201	72" CREDENZA TOP	1	\$ 268.00	\$ 268.00
70**-6203	48" BRIDGE/RETURN TOP	1	\$ 192.00	\$ 192.00
7049-1192	TOP SUPPORT RAILS 50"	2	\$ 68.00	\$ 136.00
7049-1193	TOP SUPPORT RAILS 44"	1	\$ 57.00	\$ 57.00
70**-4223	54" LAMINATE MODESTY PANEL	1	\$ 166.00	\$ 166.00
70**-5223	48" LAMINATE BRIDGE MODESTY PANEL	1	\$ 166.00	\$ 166.00
70**-8222	36" LAMINATE MODESTY PANEL	1	\$ 145.00	\$ 145.00
70**-831	BOX/BOX/FILE PEDESTAL, 18X30	1	\$ 670.00	\$ 670.00
70**-834	BOX/BOX/FILE PEDESTAL 18X24	1	\$ 573.00	\$ 573.00
70**-1182R	DESK WING END ASSEMBLY, RIGHT	1	\$ 170.00	\$ 170.00
70**-1172	CREDENZA END PANEL/WING END	1	\$ 92.00	\$ 92.00

TYPICAL TOTAL

\$ 2994.00

PO.U.024 GLASS



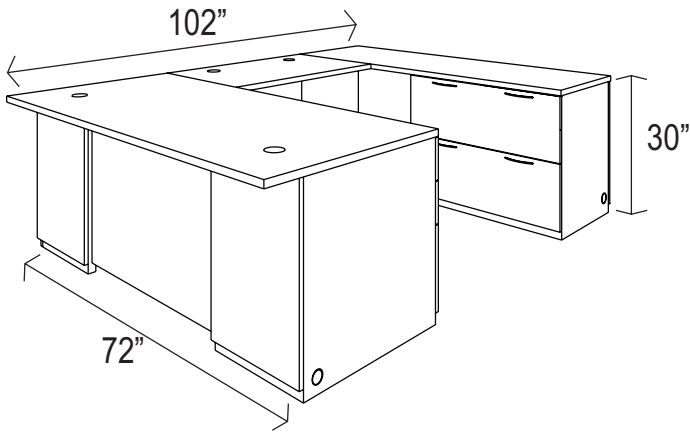
PART NO.	DESCRIPTION	QTY	LIST PRICE	TOTAL
70**-8211	72" STRAIGHT FRONT DESK TOP	1	\$ 359.00	\$ 359.00
70**-6201	72" CREDENZA TOP	1	\$ 268.00	\$ 268.00
70**-6203	48" BRIDGE/RETURN TOP	1	\$ 192.00	\$ 192.00
7049-1192	TOP SUPPORT RAILS 50"	2	\$ 68.00	\$ 136.00
7049-1193	TOP SUPPORT RAILS 44"	1	\$ 57.00	\$ 57.00
70**-4223	54" LAMINATE MODESTY PANEL	1	\$ 166.00	\$ 166.00
7049-5223WG	48" WHITE GLASS BRIDGE MODESTY	1	\$ 466.00	\$ 466.00
7049-8223WG	36" WHITE GLASS MODESTY PANEL	1	\$ 359.00	\$ 359.00
70**-831	BOX/BOX/FILE PEDESTAL, 18X30	1	\$ 670.00	\$ 670.00
70**-834	BOX/BOX/FILE PEDESTAL 18X24	1	\$ 573.00	\$ 573.00
70**-1182R	DESK WING END ASSEMBLY, RIGHT	1	\$ 170.00	\$ 170.00
70**-1172	CREDENZA END PANEL/WING END	1	\$ 92.00	\$ 92.00

TYPICAL TOTAL

\$ 3508.00

**** Must choose finish from available colors
40 Mocha, 41 Honey Maple, 42 Mahogany, 43 White, 47 Walnut**

PO.U.025 LAMINATE

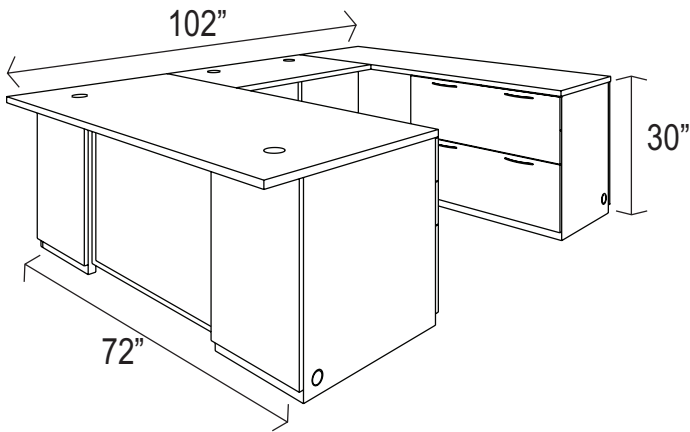


PART NO.	DESCRIPTION	QTY	LIST PRICE	TOTAL
70**-8211	72" STRAIGHT FRONT DESK TOP	1	\$ 359.00	\$ 359.00
70**-6201	72" CREENZA TOP	1	\$ 268.00	\$ 268.00
70**-6205	42" BRIDGE/RETURN TOP	1	\$ 161.00	\$ 161.00
7049-1192	TOP SUPPORT RAILS 50"	1	\$ 68.00	\$ 68.00
70**-3223	42" LAMINATE BRIDGE MODESTY PANEL	1	\$ 161.00	\$ 161.00
70**-8222	36" LAMINATE MODESTY PANEL	2	\$ 145.00	\$ 290.00
70**-831	BOX/BOX/FILE PEDESTAL, 18X30	1	\$ 670.00	\$ 670.00
70**-161	LATERAL FILE PEDESTAL	1	\$ 841.00	\$ 841.00
70**-1182R	DESK WING END ASSEMBLY, RIGHT	1	\$ 170.00	\$ 170.00
70**-1172	CREENZA END PANEL/WING END	1	\$ 92.00	\$ 92.00

TYPICAL TOTAL

\$ 3080.00

PO.U.025 GLASS

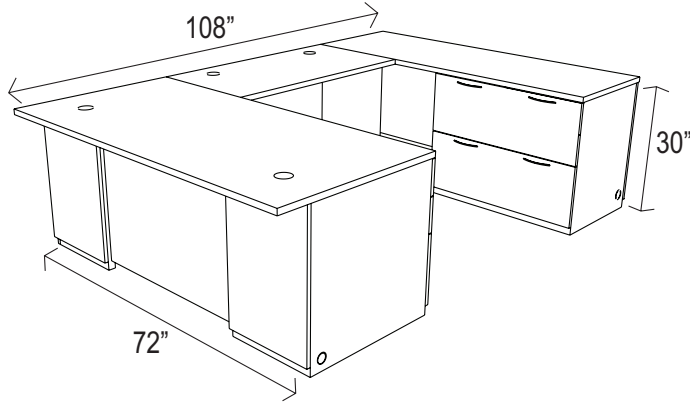


PART NO.	DESCRIPTION	QTY	LIST PRICE	TOTAL
70**-8211	72" STRAIGHT FRONT DESK TOP	1	\$ 359.00	\$ 359.00
70**-6201	72" CREENZA TOP	1	\$ 268.00	\$ 268.00
70**-6205	42" BRIDGE/RETURN TOP	1	\$ 161.00	\$ 161.00
7049-1192	TOP SUPPORT RAILS 50"	1	\$ 68.00	\$ 68.00
7049-3223WG	42" WHITE GLASS BRIDGE MODESTY	1	\$ 423.00	\$ 423.00
7049-8223WG	36" WHITE GLASS MODESTY PANEL	1	\$ 359.00	\$ 359.00
70**-8222	36" LAMINATE MODESTY PANEL	1	\$ 145.00	\$ 145.00
70**-831	BOX/BOX/FILE PEDESTAL, 18X30	1	\$ 670.00	\$ 670.00
70**-161	LATERAL FILE PEDESTAL	1	\$ 841.00	\$ 841.00
70**-1182R	DESK WING END ASSEMBLY, RIGHT	1	\$ 170.00	\$ 170.00
70**-1172	CREENZA END PANEL/WING END	1	\$ 92.00	\$ 92.00

TYPICAL TOTAL

\$ 3556.00

PO.U.026 LAMINATE

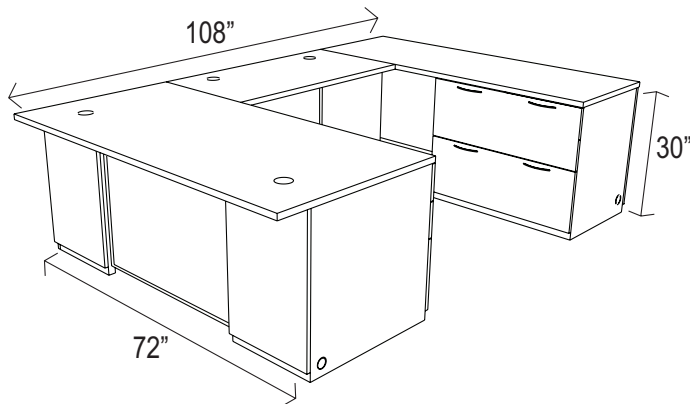


PART NO.	DESCRIPTION	QTY	LIST PRICE	TOTAL
70**-8211	72" STRAIGHT FRONT DESK TOP	1	\$ 359.00	\$ 359.00
70**-6201	72" CREDENZA TOP	1	\$ 268.00	\$ 268.00
70**-6203	48" BRIDGE/RETURN TOP	1	\$ 192.00	\$ 192.00
7049-1192	TOP SUPPORT RAILS 50"	1	\$ 68.00	\$ 68.00
7049-1193	TOP SUPPORT RAILS 44"	1	\$ 57.00	\$ 57.00
70**-5223	48" LAMINATE BRIDGE MODESTY PANEL	1	\$ 166.00	\$ 166.00
70**-8222	36" LAMINATE MODESTY PANEL	2	\$ 145.00	\$ 290.00
70**-831	BOX/BOX/FILE PEDESTAL, 18X30	1	\$ 670.00	\$ 670.00
70**-161	LATERAL FILE PEDESTAL	1	\$ 841.00	\$ 841.00
70**-1182R	DESK WING END ASSEMBLY, RIGHT	1	\$ 170.00	\$ 170.00
70**-1172	CREDENZA END PANEL/WING END	1	\$ 92.00	\$ 92.00

TYPICAL TOTAL

\$ 3173.00

PO.U.026 GLASS



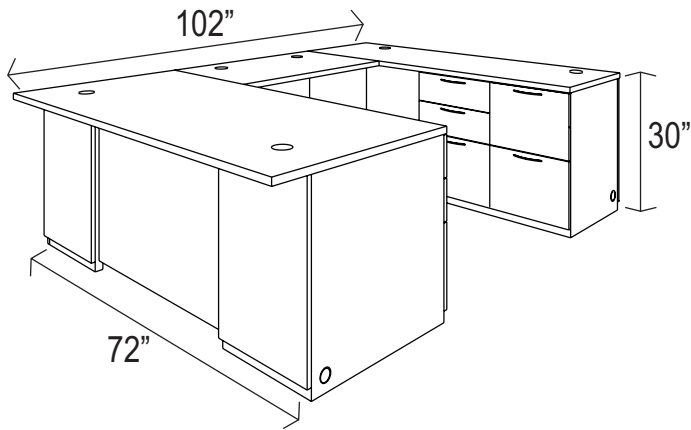
PART NO.	DESCRIPTION	QTY	LIST PRICE	TOTAL
70**-8211	72" STRAIGHT FRONT DESK TOP	1	\$ 359.00	\$ 359.00
70**-6201	72" CREDENZA TOP	1	\$ 268.00	\$ 268.00
70**-6203	48" BRIDGE/RETURN TOP	1	\$ 192.00	\$ 192.00
7049-1192	TOP SUPPORT RAILS 50"	1	\$ 68.00	\$ 68.00
7049-1193	TOP SUPPORT RAILS 44"	1	\$ 57.00	\$ 57.00
7049-5223WG	48" WHITE GLASS BRIDGE MODESTY	1	\$ 466.00	\$ 466.00
7049-8223WG	36" WHITE GLASS MODESTY PANEL	1	\$ 359.00	\$ 359.00
70**-8222	36" LAMINATE MODESTY PANEL	1	\$ 145.00	\$ 145.00
70**-831	BOX/BOX/FILE PEDESTAL, 18X30	1	\$ 670.00	\$ 670.00
70**-161	LATERAL FILE PEDESTAL	1	\$ 841.00	\$ 841.00
70**-1182R	DESK WING END ASSEMBLY, RIGHT	1	\$ 170.00	\$ 170.00
70**-1172	CREDENZA END PANEL/WING END	1	\$ 92.00	\$ 92.00

TYPICAL TOTAL

\$ 3687.00

**** Must choose finish from available colors
40 Mocha, 41 Honey Maple, 42 Mahogany, 43 White, 47 Walnut**

PO.U.027 LAMINATE

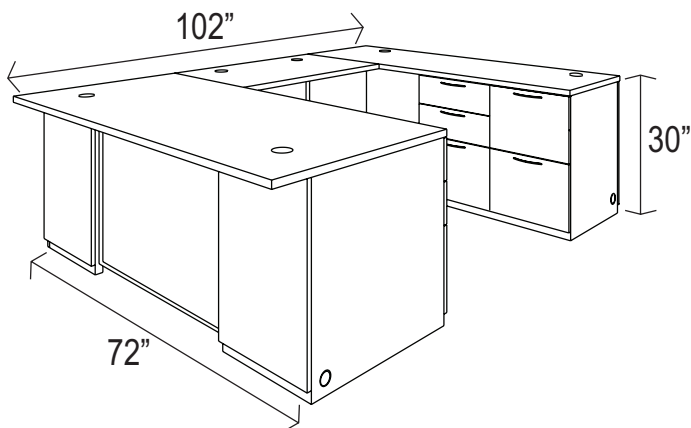


PART NO.	DESCRIPTION	QTY	LIST PRICE	TOTAL
70**-8211	72" STRAIGHT FRONT DESK TOP	1	\$ 359.00	\$ 359.00
70**-6201	72" CREDENZA TOP	1	\$ 268.00	\$ 268.00
70**-6205	42" BRIDGE/RETURN TOP	1	\$ 161.00	\$ 161.00
7049-1192	TOP SUPPORT RAILS 50"	1	\$ 68.00	\$ 68.00
70**-3223	42" LAMINATE BRIDGE MODESTY PANEL	1	\$ 161.00	\$ 161.00
70**-8222	36" LAMINATE MODESTY PANEL	2	\$ 145.00	\$ 290.00
70**-831	BOX/BOX/FILE PEDESTAL, 18X30	1	\$ 670.00	\$ 670.00
70**-833	FILE/FILE PEDESTAL, 18X24	1	\$ 573.00	\$ 573.00
70**-834	BOX/BOX/FILE PEDESTAL 18X24	1	\$ 573.00	\$ 573.00
70**-1182R	DESK WING END ASSEMBLY, RIGHT	1	\$ 170.00	\$ 170.00
70**-1172	CREDENZA END PANEL/WING END	1	\$ 92.00	\$ 92.00

TYPICAL TOTAL

\$ 3385.00

PO.U.027 GLASS



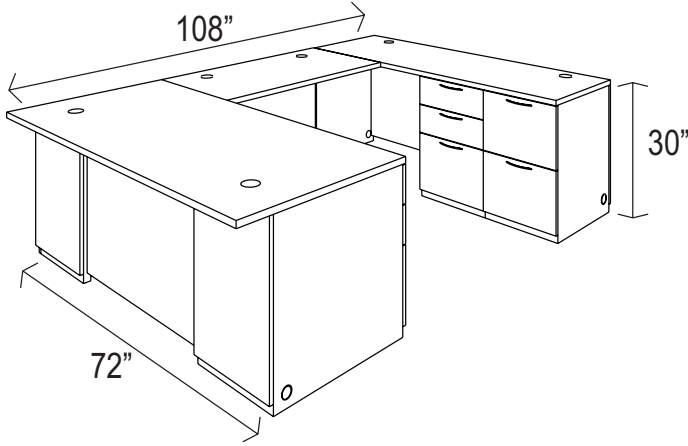
PART NO.	DESCRIPTION	QTY	LIST PRICE	TOTAL
70**-8211	72" STRAIGHT FRONT DESK TOP	1	\$ 359.00	\$ 359.00
70**-6201	72" CREDENZA TOP	1	\$ 268.00	\$ 268.00
70**-6205	42" BRIDGE/RETURN TOP	1	\$ 161.00	\$ 161.00
7049-1192	TOP SUPPORT RAILS 50"	1	\$ 68.00	\$ 68.00
7049-3223WG	42" WHITE GLASS BRIDGE MODESTY	1	\$ 423.00	\$ 423.00
7049-8223WG	36" WHITE GLASS MODESTY PANEL	1	\$ 359.00	\$ 359.00
70**-8222	36" LAMINATE MODESTY PANEL	1	\$ 145.00	\$ 145.00
70**-831	BOX/BOX/FILE PEDESTAL, 18X30	1	\$ 670.00	\$ 670.00
70**-833	FILE/FILE PEDESTAL, 18X24	1	\$ 573.00	\$ 573.00
70**-834	BOX/BOX/FILE PEDESTAL 18X24	1	\$ 573.00	\$ 573.00
70**-1182R	DESK WING END ASSEMBLY, RIGHT	1	\$ 170.00	\$ 170.00
70**-1172	CREDENZA END PANEL/WING END	1	\$ 92.00	\$ 92.00

TYPICAL TOTAL

\$ 3861.00

** Must choose finish from available colors
 40 Mocha, 41 Honey Maple, 42 Mahogany, 43 White, 47 Walnut

PO.U.028 LAMINATE

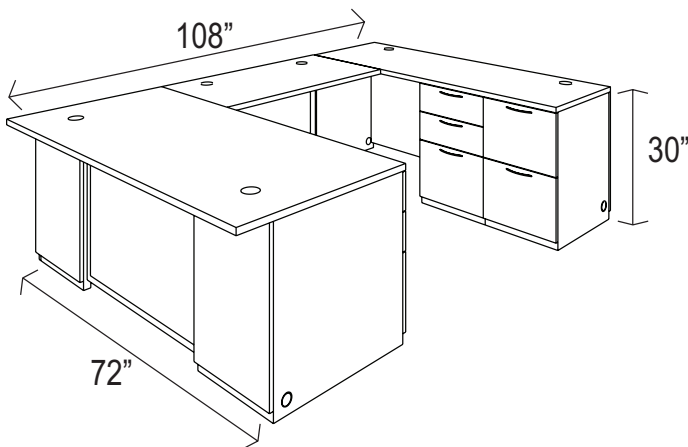


PART NO.	DESCRIPTION	QTY	LIST PRICE	TOTAL
70**-8211	72" STRAIGHT FRONT DESK TOP	1	\$ 359.00	\$ 359.00
70**-6201	72" CREDENZA TOP	1	\$ 268.00	\$ 268.00
70**-6203	48" BRIDGE/RETURN TOP	1	\$ 192.00	\$ 192.00
7049-1193	TOP SUPPORT RAILS 44"	1	\$ 57.00	\$ 57.00
7049-1192	TOP SUPPORT RAILS 50"	1	\$ 68.00	\$ 68.00
70**-5223	48" LAMINATE BRIDGE MODESTY PANEL	1	\$ 166.00	\$ 166.00
70**-8222	36" LAMINATE MODESTY PANEL	2	\$ 145.00	\$ 290.00
70**-831	BOX/BOX/FILE PEDESTAL, 18X30	1	\$ 670.00	\$ 670.00
70**-833	FILE/FILE PEDESTAL, 18X24	1	\$ 573.00	\$ 573.00
70**-834	BOX/BOX/FILE PEDESTAL 18X24	1	\$ 573.00	\$ 573.00
70**-1182R	DESK WING END ASSEMBLY, RIGHT	1	\$ 170.00	\$ 170.00
70**-1172	CREDENZA END PANEL/WING END	1	\$ 92.00	\$ 92.00

TYPICAL TOTAL

\$ 3478.00

PO.U.028 GLASS



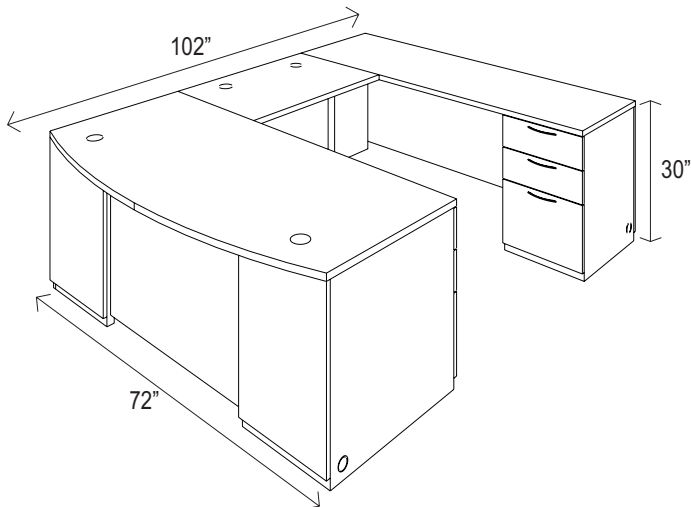
PART NO.	DESCRIPTION	QTY	LIST PRICE	TOTAL
70**-8211	72" STRAIGHT FRONT DESK TOP	1	\$ 359.00	\$ 359.00
70**-6201	72" CREDENZA TOP	1	\$ 268.00	\$ 268.00
70**-6203	48" BRIDGE/RETURN TOP	1	\$ 192.00	\$ 192.00
7049-1193	TOP SUPPORT RAILS 44"	1	\$ 57.00	\$ 57.00
7049-1192	TOP SUPPORT RAILS 50"	1	\$ 68.00	\$ 68.00
7049-5223WG	48" WHITE GLASS BRIDGE MODESTY	1	\$ 466.00	\$ 466.00
7049-8223WG	36" WHITE GLASS MODESTY PANEL	1	\$ 359.00	\$ 359.00
70**-8222	36" LAMINATE MODESTY PANEL	1	\$ 145.00	\$ 145.00
70**-831	BOX/BOX/FILE PEDESTAL, 18X30	1	\$ 670.00	\$ 670.00
70**-833	FILE/FILE PEDESTAL, 18X24	1	\$ 573.00	\$ 573.00
70**-834	BOX/BOX/FILE PEDESTAL 18X24	1	\$ 573.00	\$ 573.00
70**-1182R	DESK WING END ASSEMBLY, RIGHT	1	\$ 170.00	\$ 170.00
70**-1172	CREDENZA END PANEL/WING END	1	\$ 92.00	\$ 92.00

TYPICAL TOTAL

\$ 3992.00

** Must choose finish from available colors
 40 Mocha, 41 Honey Maple, 42 Mahogany, 43 White, 47 Walnut

PO.U.029 LAMINATE

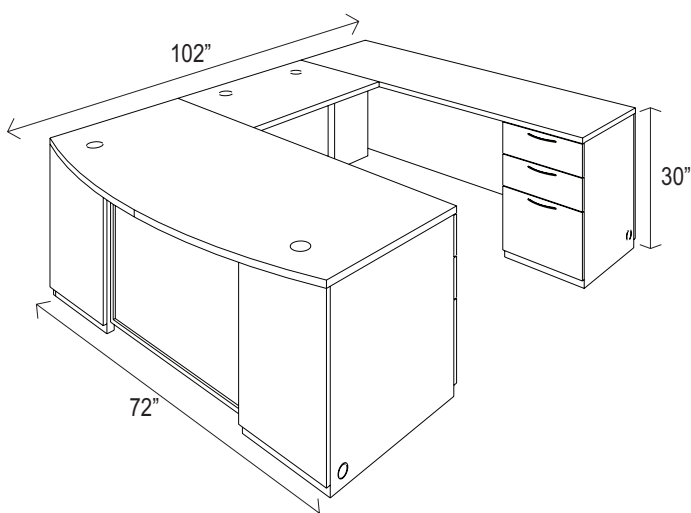


PART NO.	DESCRIPTION	QTY	LIST PRICE	TOTAL
70**-8221	72" BOW FRONT DESK TOP	1	\$ 359.00	\$ 359.00
70**-6201	72" CREDENZA TOP	1	\$ 268.00	\$ 268.00
70**-6205	42" BRIDGE/RETURN TOP	1	\$ 161.00	\$ 161.00
7049-1192	TOP SUPPORT RAILS 50"	2	\$ 68.00	\$ 136.00
70**-4223	54" LAMINATE MODESTY PANEL	1	\$ 166.00	\$ 166.00
70**-3223	42" LAMINATE BRIDGE MODESTY PANEL	1	\$ 161.00	\$ 161.00
70**-8222	36" LAMINATE MODESTY PANEL	1	\$ 145.00	\$ 145.00
70**-831	BOX/BOX/FILE PEDESTAL, 18X30	1	\$ 670.00	\$ 670.00
70**-834	BOX/BOX/FILE PEDESTAL, 18X24	1	\$ 573.00	\$ 573.00
70**-1182R	DESK WING END ASSEMBLY, RIGHT	1	\$ 170.00	\$ 170.00
70**-1172	CREDENZA END PANEL/WING END	1	\$ 92.00	\$ 92.00

TYPICAL TOTAL

\$ 2901.00

PO.U.029 GLASS

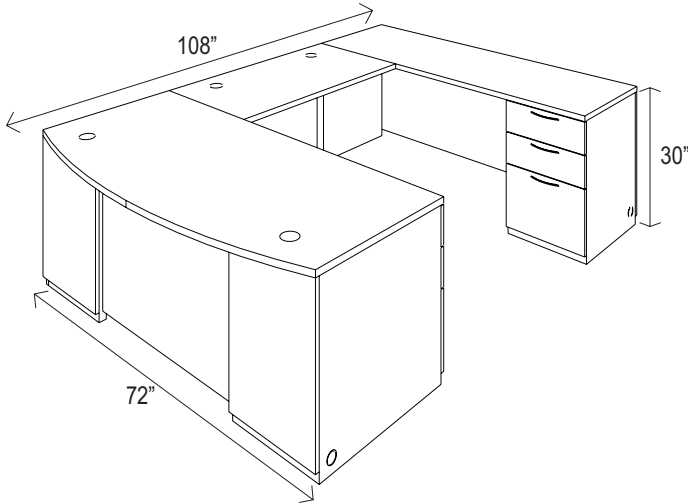


PART NO.	DESCRIPTION	QTY	LIST PRICE	TOTAL
70**-8221	72" BOW FRONT DESK TOP	1	\$ 359.00	\$ 359.00
70**-6201	72" CREDENZA TOP	1	\$ 268.00	\$ 268.00
70**-6205	42" BRIDGE/RETURN TOP	1	\$ 161.00	\$ 161.00
7049-1192	TOP SUPPORT RAILS 50"	2	\$ 68.00	\$ 136.00
70**-4223	54" LAMINATE MODESTY PANEL	1	\$ 166.00	\$ 166.00
7049-3223WG	42" WHITE GLASS BRIDGE MODESTY	1	\$ 423.00	\$ 423.00
7049-8223WG	36" WHITE GLASS MODESTY PANEL	1	\$ 359.00	\$ 359.00
70**-831	BOX/BOX/FILE PEDESTAL, 18X30	1	\$ 670.00	\$ 670.00
70**-834	BOX/BOX/FILE PEDESTAL, 18X24	1	\$ 573.00	\$ 573.00
70**-1182R	DESK WING END ASSEMBLY, RIGHT	1	\$ 170.00	\$ 170.00
70**-1172	CREDENZA END PANEL/WING END	1	\$ 92.00	\$ 92.00

TYPICAL TOTAL

\$ 3377.00

PO.U.030 LAMINATE

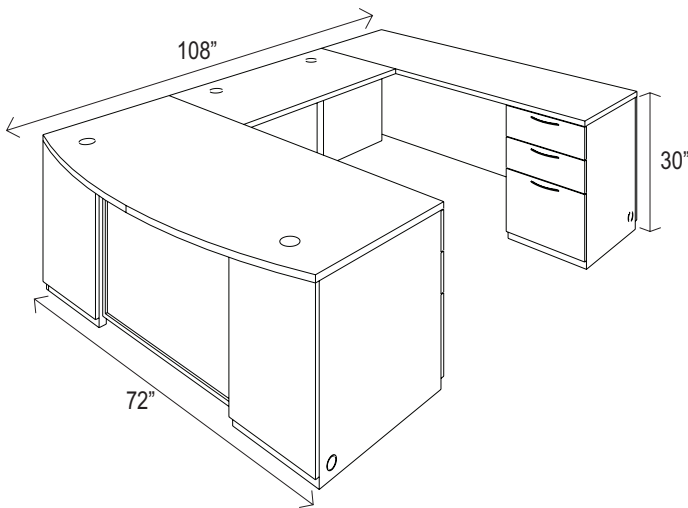


PART NO.	DESCRIPTION	QTY	LIST PRICE	TOTAL
70**-8221	72" BOW FRONT DESK TOP	1	\$ 359.00	\$ 359.00
70**-6201	72" CREDENZA TOP	1	\$ 268.00	\$ 268.00
70**-6203	48" BRIDGE/RETURN TOP	1	\$ 192.00	\$ 192.00
7049-1192	TOP SUPPORT RAILS 50"	2	\$ 68.00	\$ 136.00
7049-1193	TOP SUPPORT RAILS 44"	1	\$ 57.00	\$ 57.00
70**-4223	54" LAMINATE MODESTY PANEL	1	\$ 166.00	\$ 166.00
70**-5223	48" LAMINATE BRIDGE MODESTY PANEL	1	\$ 166.00	\$ 166.00
70**-8222	36" LAMINATE MODESTY PANEL	1	\$ 145.00	\$ 145.00
70**-831	BOX/BOX/FILE PEDESTAL, 18X30	1	\$ 670.00	\$ 670.00
70**-834	BOX/BOX/FILE PEDESTAL, 18X24	1	\$ 573.00	\$ 573.00
70**-1182R	DESK WING END ASSEMBLY, RIGHT	1	\$ 170.00	\$ 170.00
70**-1172	CREDENZA END PANEL/WING END	1	\$ 92.00	\$ 92.00

TYPICAL TOTAL

\$ 2994.00

PO.U.030 GLASS



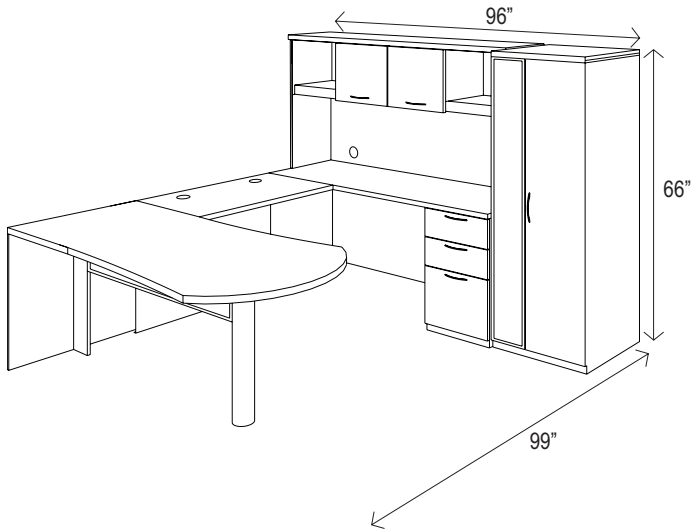
PART NO.	DESCRIPTION	QTY	LIST PRICE	TOTAL
70**-8221	72" BOW FRONT DESK TOP	1	\$ 359.00	\$ 359.00
70**-6201	72" CREDENZA TOP	1	\$ 268.00	\$ 268.00
70**-6203	48" BRIDGE/RETURN TOP	1	\$ 192.00	\$ 192.00
7049-1192	TOP SUPPORT RAILS 50"	2	\$ 68.00	\$ 136.00
7049-1193	TOP SUPPORT RAILS 44"	1	\$ 57.00	\$ 57.00
70**-4223	54" LAMINATE MODESTY PANEL	1	\$ 166.00	\$ 166.00
7049-5223WG	48" WHITE GLASS BRIDGE MODESTY	1	\$ 466.00	\$ 466.00
7049-8223WG	36" WHITE GLASS MODESTY PANEL	1	\$ 359.00	\$ 359.00
70**-831	BOX/BOX/FILE PEDESTAL, 18X30	1	\$ 670.00	\$ 670.00
70**-834	BOX/BOX/FILE PEDESTAL, 18X24	1	\$ 573.00	\$ 573.00
70**-1182R	DESK WING END ASSEMBLY, RIGHT	1	\$ 170.00	\$ 170.00
70**-1172	CREDENZA END PANEL/WING END	1	\$ 92.00	\$ 92.00

TYPICAL TOTAL

\$ 3508.00

**** Must choose finish from available colors
40 Mocha, 41 Honey Maple, 42 Mahogany, 43 White, 47 Walnut**

PO.U.031 LAMINATE

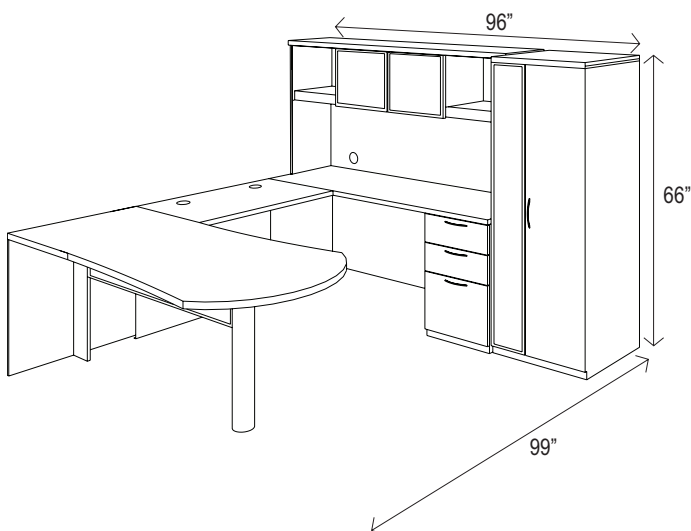


PART NO.	DESCRIPTION	QTY	LIST PRICE	TOTAL
70**-7210	72" FAN SHAPED DESK	1	\$ 954.00	\$ 954.00
70**-6201	72" CREDENZA TOP	1	\$ 268.00	\$ 268.00
70**-6205	42" BRIDGE/RETURN TOP	1	\$ 161.00	\$ 161.00
7049-1192	TOP SUPPORT RAILS 50"	1	\$ 68.00	\$ 68.00
70**-4223	54" LAMINATE MODESTY PANEL	1	\$ 166.00	\$ 166.00
70**-3223	42" LAMINATE BRIDGE MODESTY PANEL	1	\$ 161.00	\$ 161.00
70**-834	BOX/BOX/FILE PEDESTAL, 18X24	1	\$ 573.00	\$ 573.00
70**-1172	CREDENZA END PANEL/WING END	1	\$ 92.00	\$ 92.00
70**-62	72" OVERHEAD CASE	1	\$ 619.00	\$ 619.00
70**-4046	LAMINATE DOORS FOR 72" OVERHEAD	1	\$ 120.00	\$ 120.00
70**-08RH	WARDROBE CABINET, RIGHT	1	\$ 1345.00	\$ 1345.00

TYPICAL TOTAL

\$ 4527.00

PO.U.031 GLASS

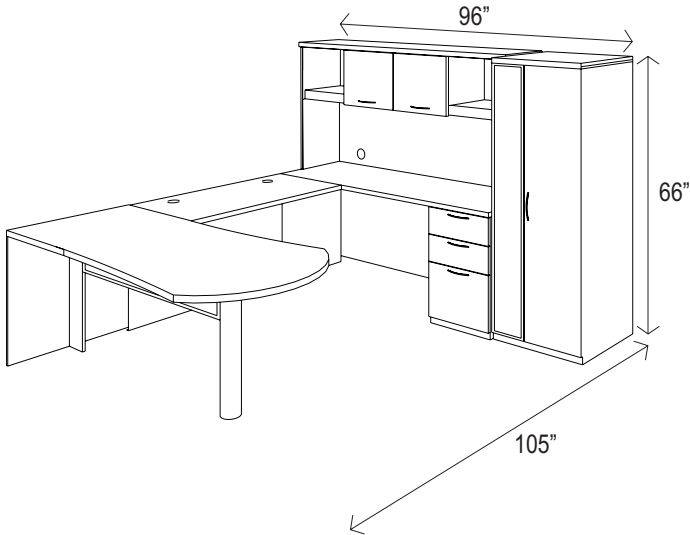


PART NO.	DESCRIPTION	QTY	LIST PRICE	TOTAL
70**-7210	72" FAN SHAPED DESK	1	\$ 954.00	\$ 954.00
70**-6201	72" CREDENZA TOP	1	\$ 268.00	\$ 268.00
70**-6205	42" BRIDGE/RETURN TOP	1	\$ 161.00	\$ 161.00
7049-1192	TOP SUPPORT RAILS 50"	1	\$ 68.00	\$ 68.00
70**-4223	54" LAMINATE MODESTY PANEL	1	\$ 166.00	\$ 166.00
7049-3223WG	42" WHITE GLASS BRIDGE MODESTY	1	\$ 423.00	\$ 423.00
70**-834	BOX/BOX/FILE PEDESTAL, 18X24	1	\$ 573.00	\$ 573.00
70**-1172	CREDENZA END PANEL/WING END	1	\$ 92.00	\$ 92.00
70**-62	72" OVERHEAD CASE	1	\$ 619.00	\$ 619.00
7049-4046WG	WHITE GLASS DOORS FOR 72" OVERHEAD	1	\$ 294.00	\$ 294.00
70**-08RH	WARDROBE CABINET, RIGHT	1	\$ 1345.00	\$ 1345.00

TYPICAL TOTAL

\$ 4963.00

PO.U.032 LAMINATE

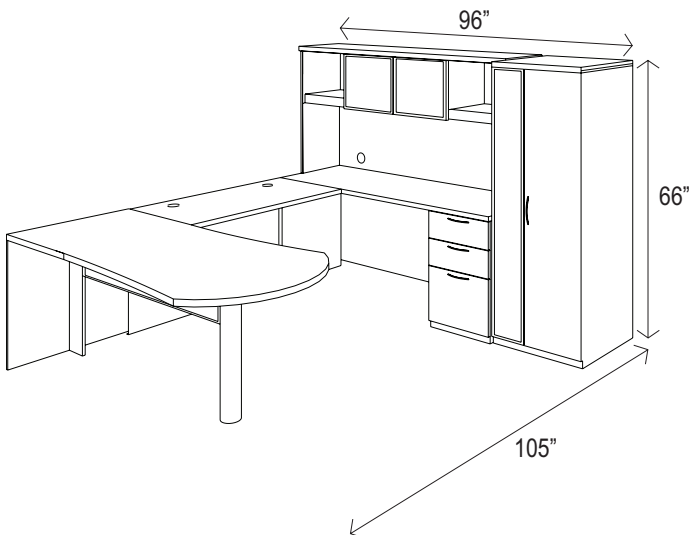


PART NO.	DESCRIPTION	QTY	LIST PRICE	TOTAL
70**-7210	72" FAN SHAPED DESK	1	\$ 954.00	\$ 954.00
70**-6201	72" CREDENZA TOP	1	\$ 268.00	\$ 268.00
70**-6203	48" BRIDGE/RETURN TOP	1	\$ 192.00	\$ 192.00
7049-1192	TOP SUPPORT RAILS 50"	1	\$ 68.00	\$ 68.00
7049-1193	TOP SUPPORT RAILS 44"	1	\$ 57.00	\$ 57.00
70**-4223	54" LAMINATE MODESTY PANEL	1	\$ 166.00	\$ 166.00
70**-5223	48" LAMINATE BRIDGE MODESTY PANEL	1	\$ 166.00	\$ 166.00
70**-834	BOX/BOX/FILE PEDESTAL, 18X24	1	\$ 573.00	\$ 573.00
70**-1172	CREDENZA END PANEL/WING END	1	\$ 92.00	\$ 92.00
70**-62	72" OVERHEAD CASE	1	\$ 619.00	\$ 619.00
70**-4046	LAMINATE DOORS FOR 72" OVERHEAD	1	\$ 120.00	\$ 120.00
70**-08RH	WARDROBE CABINET, RIGHT	1	\$ 1345.00	\$ 1345.00

TYPICAL TOTAL

\$ 4620.00

PO.U.032 GLASS



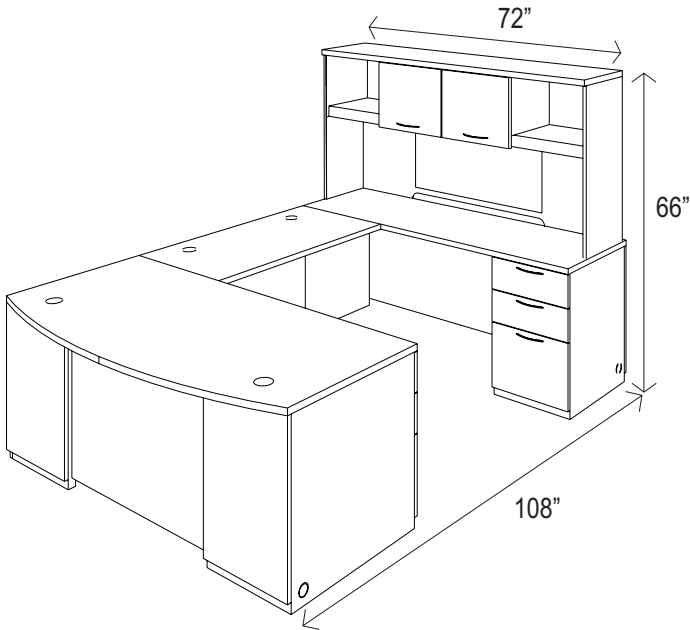
PART NO.	DESCRIPTION	QTY	LIST PRICE	TOTAL
70**-7210	72" FAN SHAPED DESK	1	\$ 954.00	\$ 954.00
70**-6201	72" CREDENZA TOP	1	\$ 268.00	\$ 268.00
70**-6203	48" BRIDGE/RETURN TOP	1	\$ 192.00	\$ 192.00
7049-1192	TOP SUPPORT RAILS 50"	1	\$ 68.00	\$ 68.00
7049-1193	TOP SUPPORT RAILS 44"	1	\$ 57.00	\$ 57.00
70**-4223	54" LAMINATE MODESTY PANEL	1	\$ 166.00	\$ 166.00
7049-5223WG	48" WHITE GLASS BRIDGE MODESTY	1	\$ 466.00	\$ 466.00
70**-834	BOX/BOX/FILE PEDESTAL, 18X24	1	\$ 573.00	\$ 573.00
70**-1172	CREDENZA END PANEL/WING END	1	\$ 92.00	\$ 92.00
70**-62	72" OVERHEAD CASE	1	\$ 619.00	\$ 619.00
7049-4046WG	WHITE GLASS DOORS FOR 72" OVERHEAD	1	\$ 294.00	\$ 294.00
70**-08RH	WARDROBE CABINET, RIGHT	1	\$ 1345.00	\$ 1345.00

TYPICAL TOTAL

\$ 5094.00

**** Must choose finish from available colors
40 Mocha, 41 Honey Maple, 42 Mahogany, 43 White, 47 Walnut**

PO.U.033 LAMINATE

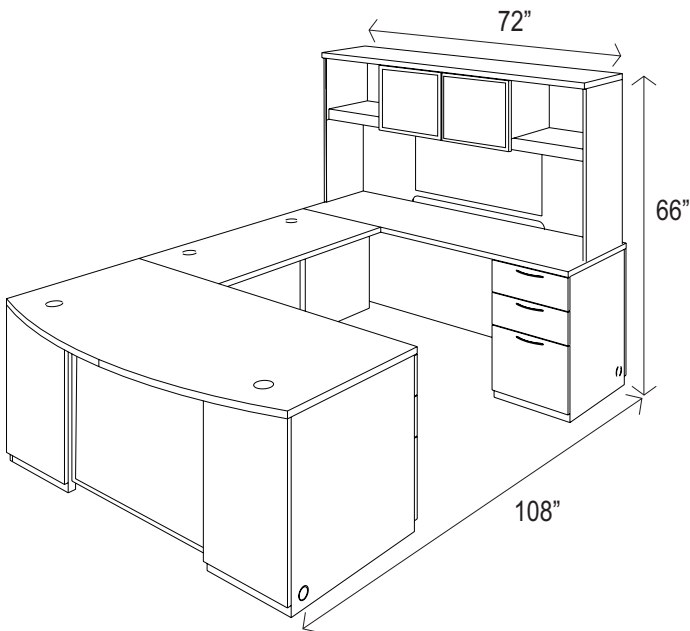


PART NO.	DESCRIPTION	QTY	LIST PRICE	TOTAL
70**-8221	72" BOW FRONT DESK TOP	1	\$ 359.00	\$ 359.00
70**-6201	72" CREDENZA TOP	1	\$ 268.00	\$ 268.00
70**-6203	48" BRIDGE/RETURN TOP	1	\$ 192.00	\$ 192.00
7049-1192	TOP SUPPORT RAILS 50"	2	\$ 68.00	\$ 136.00
7049-1193	TOP SUPPORT RAILS 44"	1	\$ 57.00	\$ 57.00
70**-4223	54" LAMINATE MODESTY PANEL	1	\$ 166.00	\$ 166.00
70**-5223	48" LAMINATE BRIDGE MODESTY PANEL	1	\$ 166.00	\$ 166.00
70**-8222	36" LAMINATE MODESTY PANEL	1	\$ 145.00	\$ 145.00
70**-831	BOX/BOX/FILE PEDESTAL, 18X30	1	\$ 670.00	\$ 670.00
70**-834	BOX/BOX/FILE PEDESTAL 18X24	1	\$ 573.00	\$ 573.00
70**-1182R	DESK WING END ASSEMBLY, RIGHT	1	\$ 170.00	\$ 170.00
70**-1172	CREDENZA END PANEL/WING END	1	\$ 92.00	\$ 92.00
70**-62	72" OVERHEAD CASE	1	\$ 619.00	\$ 619.00
70**-4046	LAMINATE DOORS FOR 72" OVERHEAD	1	\$ 120.00	\$ 120.00
7049-101	36" X 18" REVERSIBLE TACKBOARD	1	\$ 140.00	\$ 140.00

TYPICAL TOTAL

\$ 3873.00

PO.U.033 GLASS

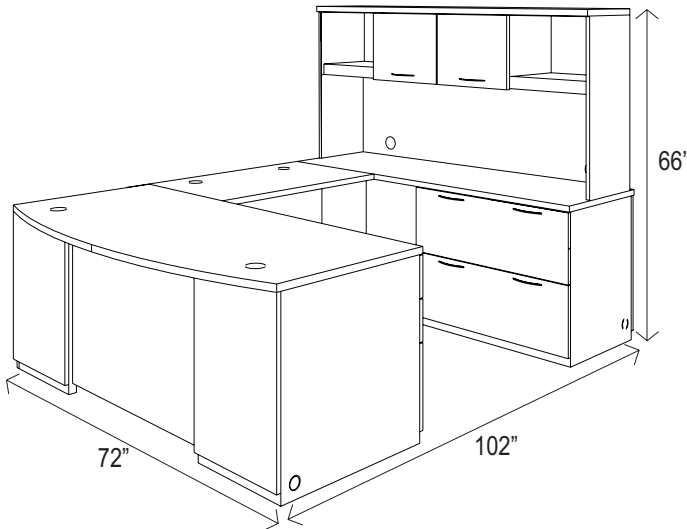


PART NO.	DESCRIPTION	QTY	LIST PRICE	TOTAL
70**-8221	72" BOW FRONT DESK TOP	1	\$ 359.00	\$ 359.00
70**-6201	72" CREDENZA TOP	1	\$ 268.00	\$ 268.00
70**-6203	48" BRIDGE/RETURN TOP	1	\$ 192.00	\$ 192.00
7049-1192	TOP SUPPORT RAILS 50"	2	\$ 68.00	\$ 136.00
7049-1193	TOP SUPPORT RAILS 44"	1	\$ 57.00	\$ 57.00
70**-4223	54" LAMINATE MODESTY PANEL	1	\$ 166.00	\$ 166.00
7049-5223WG	48" WHITE GLASS BRIDGE MODESTY	1	\$ 466.00	\$ 466.00
7049-8223WG	36" WHITE GLASS MODESTY PANEL	1	\$ 359.00	\$ 359.00
70**-831	BOX/BOX/FILE PEDESTAL, 18X30	1	\$ 670.00	\$ 670.00
70**-834	BOX/BOX/FILE PEDESTAL 18X24	1	\$ 573.00	\$ 573.00
70**-1182R	DESK WING END ASSEMBLY, RIGHT	1	\$ 170.00	\$ 170.00
70**-1172	CREDENZA END PANEL/WING END	1	\$ 92.00	\$ 92.00
70**-62	72" OVERHEAD CASE	1	\$ 619.00	\$ 619.00
7049-4046WG	WHITE GLASS DOORS FOR 72" OVERHEAD	1	\$ 294.00	\$ 294.00
7049-101	36" X 18" REVERSIBLE TACKBOARD	1	\$ 140.00	\$ 140.00

TYPICAL TOTAL

\$ 4561.00

PO.U.034 LAMINATE

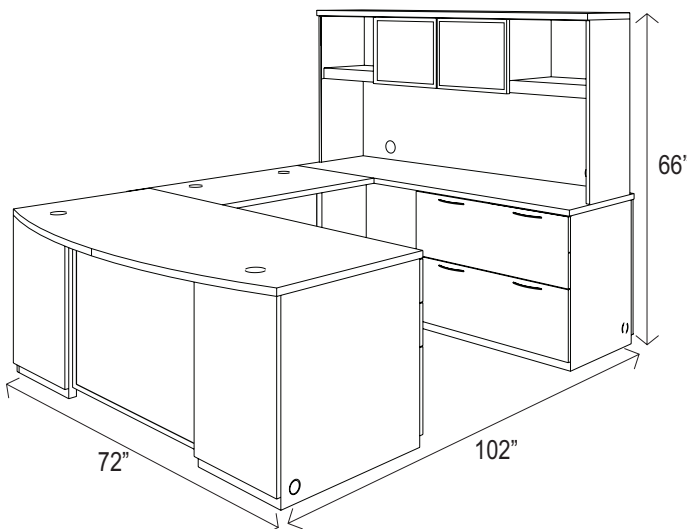


PART NO.	DESCRIPTION	QTY	LIST PRICE	TOTAL
70**-8221	72" BOW FRONT DESK TOP	1	\$ 359.00	\$ 359.00
70**-6201	72" CREDENZA TOP	1	\$ 268.00	\$ 268.00
70**-6205	42" BRIDGE/RETURN TOP	1	\$ 161.00	\$ 161.00
7049-1192	TOP SUPPORT RAILS 50"	1	\$ 68.00	\$ 68.00
70**-3223	42" LAMINATE BRIDGE MODESTY PANEL	1	\$ 161.00	\$ 161.00
70**-8222	36" LAMINATE MODESTY PANEL	2	\$ 145.00	\$ 290.00
70**-831	BOX/BOX/FILE PEDESTAL, 18X30	1	\$ 670.00	\$ 670.00
70**-161	LATERAL FILE PEDESTAL	1	\$ 841.00	\$ 841.00
70**-1182R	DESK WING END ASSEMBLY, RIGHT	1	\$ 170.00	\$ 170.00
70**-1172	CREDENZA END PANEL/WING END	1	\$ 92.00	\$ 92.00
70**-62	72" OVERHEAD CASE	1	\$ 619.00	\$ 619.00
70**-4046	LAMINATE DOORS FOR 72" OVERHEAD	1	\$ 120.00	\$ 120.00

TYPICAL TOTAL

\$ 3819.00

PO.U.034 GLASS



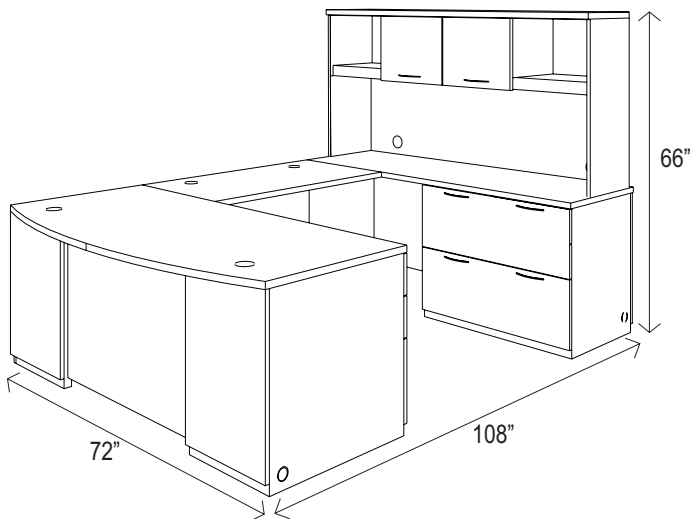
PART NO.	DESCRIPTION	QTY	LIST PRICE	TOTAL
70**-8221	72" BOW FRONT DESK TOP	1	\$ 359.00	\$ 359.00
70**-6201	72" CREDENZA TOP	1	\$ 268.00	\$ 268.00
70**-6205	42" BRIDGE/RETURN TOP	1	\$ 161.00	\$ 161.00
7049-1192	TOP SUPPORT RAILS 50"	1	\$ 68.00	\$ 68.00
7049-3223WG	42" WHITE GLASS BRIDGE MODESTY	1	\$ 423.00	\$ 423.00
70**-8222	36" LAMINATE MODESTY PANEL	1	\$ 145.00	\$ 245.00
7049-8223WG	36" WHITE GLASS MODESTY PANEL	1	\$ 359.00	\$ 359.00
70**-831	BOX/BOX/FILE PEDESTAL, 18X30	1	\$ 670.00	\$ 670.00
70**-161	LATERAL FILE PEDESTAL	1	\$ 841.00	\$ 841.00
70**-1182R	DESK WING END ASSEMBLY, RIGHT	1	\$ 170.00	\$ 170.00
70**-1172	CREDENZA END PANEL/WING END	1	\$ 92.00	\$ 92.00
70**-62	72" OVERHEAD CASE	1	\$ 619.00	\$ 619.00
7049-4046WG	WHITE GLASS DOORS FOR 72" OVERHEAD	1	\$ 294.00	\$ 294.00

TYPICAL TOTAL

\$ 4569.00

**** Must choose finish from available colors
40 Mocha, 41 Honey Maple, 42 Mahogany, 43 White, 47 Walnut**

PO.U.035 LAMINATE

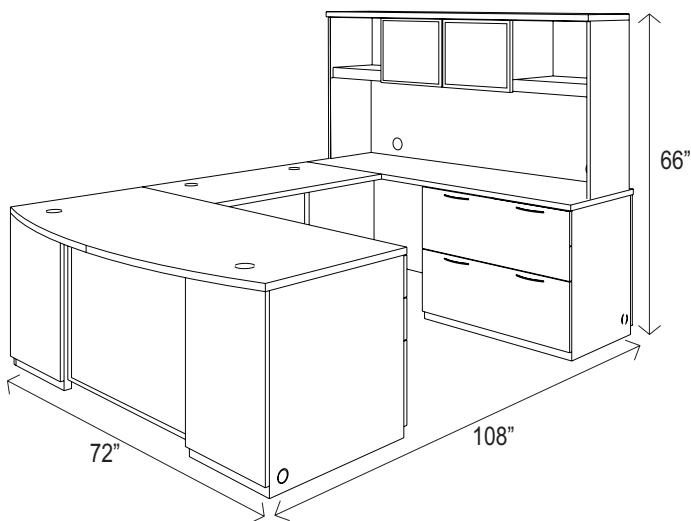


PART NO.	DESCRIPTION	QTY	LIST PRICE	TOTAL
70**-8221	72" BOW FRONT DESK TOP	1	\$ 359.00	\$ 359.00
70**-6201	72" CREDENZA TOP	1	\$ 268.00	\$ 268.00
70**-6203	48" BRIDGE/RETURN TOP	1	\$ 192.00	\$ 192.00
7049-1192	TOP SUPPORT RAILS 50"	1	\$ 68.00	\$ 68.00
7049-1193	TOP SUPPORT RAILS 44"	1	\$ 57.00	\$ 57.00
70**-5223	48" LAMINATE BRIDGE MODESTY PANEL	1	\$ 166.00	\$ 166.00
70**-8222	36" LAMINATE MODESTY PANEL	2	\$ 145.00	\$ 290.00
70**-831	BOX/BOX/FILE PEDESTAL, 18X30	1	\$ 670.00	\$ 670.00
70**-161	LATERAL FILE PEDESTAL	1	\$ 841.00	\$ 841.00
70**-1182R	DESK WING END ASSEMBLY, RIGHT	1	\$ 170.00	\$ 170.00
70**-1172	CREDENZA END PANEL/WING END	1	\$ 92.00	\$ 92.00
70**-62	72" OVERHEAD CASE	1	\$ 619.00	\$ 619.00
70**-4046	LAMINATE DOORS FOR 72" OVERHEAD	1	\$ 120.00	\$ 120.00

TYPICAL TOTAL

\$ 3912.00

PO.U.035 GLASS

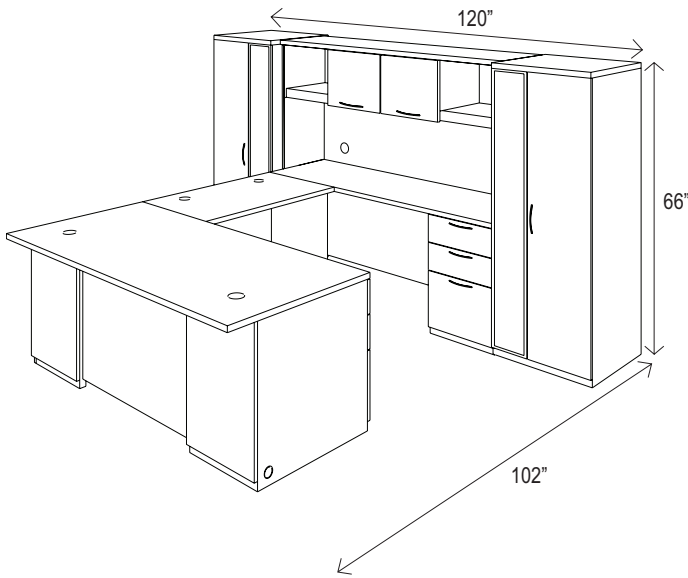


PART NO.	DESCRIPTION	QTY	LIST PRICE	TOTAL
70**-8221	72" BOW FRONT DESK TOP	1	\$ 359.00	\$ 359.00
70**-6201	72" CREDENZA TOP	1	\$ 268.00	\$ 268.00
70**-6203	48" BRIDGE/RETURN TOP	1	\$ 192.00	\$ 192.00
7049-1192	TOP SUPPORT RAILS 50"	1	\$ 68.00	\$ 68.00
7049-1193	TOP SUPPORT RAILS 44"	1	\$ 57.00	\$ 57.00
7049-5223WG	48" WHITE GLASS BRIDGE MODESTY	1	\$ 466.00	\$ 466.00
7049-8223WG	36" WHITE GLASS MODESTY PANEL	1	\$ 359.00	\$ 359.00
70**-8222	36" LAMINATE MODESTY PANEL	1	\$ 145.00	\$ 145.00
70**-831	BOX/BOX/FILE PEDESTAL, 18X30	1	\$ 670.00	\$ 670.00
70**-161	LATERAL FILE PEDESTAL	1	\$ 841.00	\$ 841.00
70**-1182R	DESK WING END ASSEMBLY, RIGHT	1	\$ 170.00	\$ 170.00
70**-1172	CREDENZA END PANEL/WING END	1	\$ 92.00	\$ 92.00
70**-62	72" OVERHEAD CASE	1	\$ 619.00	\$ 619.00
7049-4046WG	WHITE GLASS DOORS FOR 72" OVERHEAD	1	\$ 294.00	\$ 294.00

TYPICAL TOTAL

\$ 4600.00

PO.U.036 LAMINATE

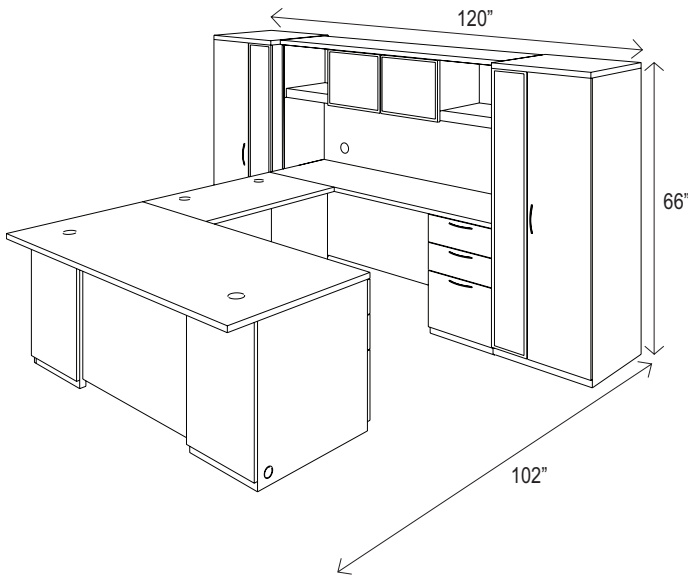


PART NO.	DESCRIPTION	QTY	LIST PRICE	TOTAL
70**-8211	72" STRAIGHT FRONT DESK TOP	1	\$ 359.00	\$ 359.00
70**-6201	72" CREDENZA TOP	1	\$ 268.00	\$ 268.00
70**-6205	42" BRIDGE/RETURN TOP	1	\$ 161.00	\$ 161.00
7049-1192	TOP SUPPORT RAILS 50"	2	\$ 68.00	\$ 136.00
70**-4223	54" LAMINATE MODESTY PANEL	1	\$ 166.00	\$ 166.00
70**-3223	42" LAMINATE BRIDGE MODESTY PANEL	1	\$ 161.00	\$ 161.00
70**-8222	36" LAMINATE MODESTY PANEL	1	\$ 145.00	\$ 145.00
70**-831	BOX/BOX/FILE PEDESTAL, 18X30	1	\$ 670.00	\$ 670.00
70**-834	BOX/BOX/FILE PEDESTAL 18X24	1	\$ 573.00	\$ 573.00
70**-1182R	DESK WING END ASSEMBLY, RIGHT	1	\$ 170.00	\$ 170.00
70**-1172	CREDENZA END PANEL/WING END	1	\$ 92.00	\$ 92.00
70**-62	72" OVERHEAD CASE	1	\$ 619.00	\$ 619.00
70**-4046	LAMINATE DOORS FOR 72" OVERHEAD	1	\$ 120.00	\$ 120.00
70**-08LH	WARDROBE CABINET, LEFT	1	\$ 1345.00	\$ 1345.00
70**-08RH	WARDROBE CABINET, RIGHT	1	\$ 1345.00	\$ 1345.00

TYPICAL TOTAL

\$ 6330.00

PO.U.036 GLASS



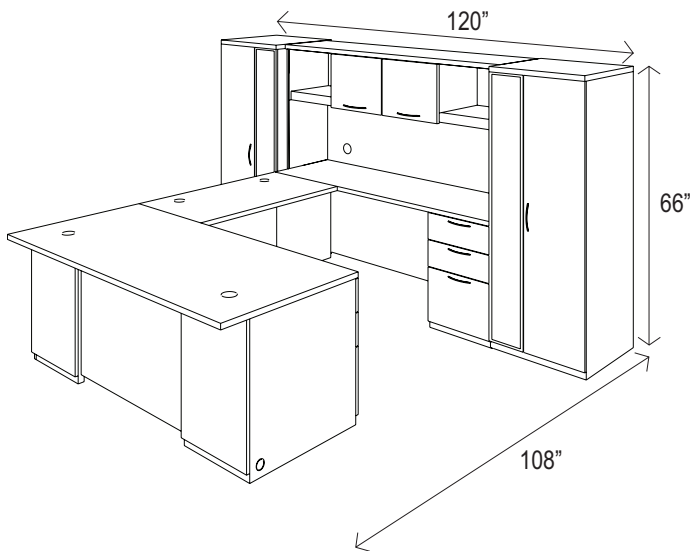
PART NO.	DESCRIPTION	QTY	LIST PRICE	TOTAL
70**-8211	72" STRAIGHT FRONT DESK TOP	1	\$ 359.00	\$ 359.00
70**-6201	72" CREDENZA TOP	1	\$ 268.00	\$ 268.00
70**-6205	42" BRIDGE/RETURN TOP	1	\$ 161.00	\$ 161.00
7049-1192	TOP SUPPORT RAILS 50"	2	\$ 68.00	\$ 136.00
70**-4223	54" LAMINATE MODESTY PANEL	1	\$ 166.00	\$ 166.00
7049-3223WG	42" WHITE GLASS BRIDGE MODESTY	1	\$ 423.00	\$ 423.00
7049-8223WG	36" WHITE GLASS MODESTY PANEL	1	\$ 359.00	\$ 359.00
70**-831	BOX/BOX/FILE PEDESTAL, 18X30	1	\$ 670.00	\$ 670.00
70**-834	BOX/BOX/FILE PEDESTAL 18X24	1	\$ 573.00	\$ 573.00
70**-1182R	DESK WING END ASSEMBLY, RIGHT	1	\$ 170.00	\$ 170.00
70**-1172	CREDENZA END PANEL/WING END	1	\$ 92.00	\$ 92.00
70**-62	72" OVERHEAD CASE	1	\$ 619.00	\$ 619.00
7049-4046WG	WHITE GLASS DOORS FOR 72" OVERHEAD	1	\$ 294.00	\$ 294.00
70**-08LH	WARDROBE CABINET, LEFT	1	\$ 1345.00	\$ 1345.00
70**-08RH	WARDROBE CABINET, RIGHT	1	\$ 1345.00	\$ 1345.00

TYPICAL TOTAL

\$ 6980.00

**** Must choose finish from available colors
40 Mocha, 41 Honey Maple, 42 Mahogany, 43 White, 47 Walnut**

PO.U.037 LAMINATE

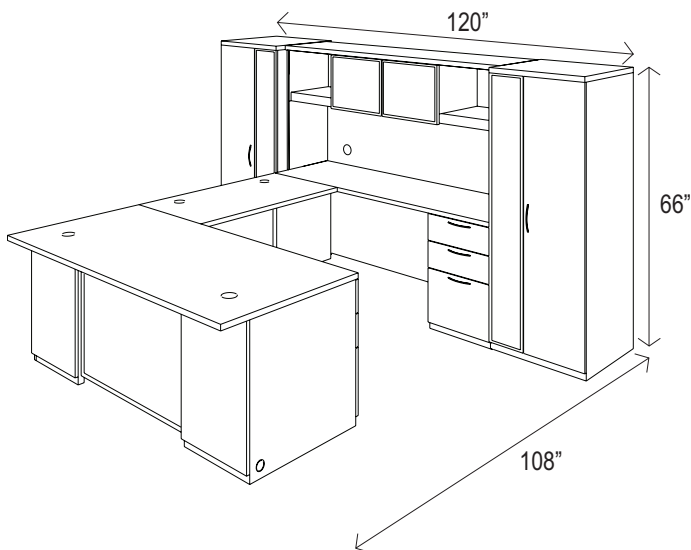


PART NO.	DESCRIPTION	QTY	LIST PRICE	TOTAL
70**-8211	72" STRAIGHT FRONT DESK TOP	1	\$ 359.00	\$ 359.00
70**-6201	72" CREDENZA TOP	1	\$ 268.00	\$ 268.00
70**-6203	48" BRIDGE/RETURN TOP	1	\$ 192.00	\$ 192.00
7049-1192	TOP SUPPORT RAILS 50"	2	\$ 68.00	\$ 136.00
7049-1193	TOP SUPPORT RAILS 44"	1	\$ 57.00	\$ 57.00
70**-4223	54" LAMINATE MODESTY PANEL	1	\$ 166.00	\$ 166.00
70**-5223	48" LAMINATE BRIDGE MODESTY PANEL	1	\$ 166.00	\$ 166.00
70**-8222	36" LAMINATE MODESTY PANEL	1	\$ 145.00	\$ 145.00
70**-831	BOX/BOX/FILE PEDESTAL, 18X30	1	\$ 670.00	\$ 670.00
70**-834	BOX/BOX/FILE PEDESTAL 18X24	1	\$ 573.00	\$ 573.00
70**-1182R	DESK WING END ASSEMBLY, RIGHT	1	\$ 170.00	\$ 170.00
70**-1172	CREDENZA END PANEL/WING END	1	\$ 92.00	\$ 92.00
70**-62	72" OVERHEAD CASE	1	\$ 619.00	\$ 619.00
70**-4046	LAMINATE DOORS FOR 72" OVERHEAD	1	\$ 120.00	\$ 120.00
70**-08LH	WARDROBE CABINET, LEFT	1	\$ 1345.00	\$ 1345.00
70**-08RH	WARDROBE CABINET, RIGHT	1	\$ 1345.00	\$ 1345.00

TYPICAL TOTAL

\$ 6423.00

PO.U.037 GLASS



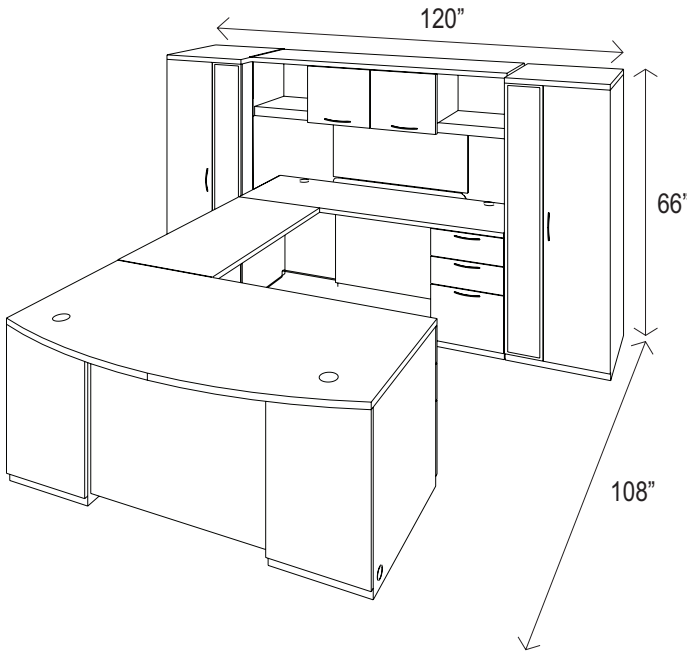
PART NO.	DESCRIPTION	QTY	LIST PRICE	TOTAL
70**-8211	72" STRAIGHT FRONT DESK TOP	1	\$ 359.00	\$ 359.00
70**-6201	72" CREDENZA TOP	1	\$ 268.00	\$ 268.00
70**-6203	48" BRIDGE/RETURN TOP	1	\$ 192.00	\$ 192.00
7049-1192	TOP SUPPORT RAILS 50"	2	\$ 68.00	\$ 136.00
7049-1193	TOP SUPPORT RAILS 44"	1	\$ 57.00	\$ 57.00
70**-4223	54" LAMINATE MODESTY PANEL	1	\$ 166.00	\$ 166.00
7049-5223WG	48" WHITE GLASS BRIDGE MODESTY	1	\$ 466.00	\$ 466.00
7049-8223WG	36" WHITE GLASS MODESTY PANEL	1	\$ 359.00	\$ 359.00
70**-831	BOX/BOX/FILE PEDESTAL, 18X30	1	\$ 670.00	\$ 670.00
70**-834	BOX/BOX/FILE PEDESTAL 18X24	1	\$ 573.00	\$ 573.00
70**-1182R	DESK WING END ASSEMBLY, RIGHT	1	\$ 170.00	\$ 170.00
70**-1172	CREDENZA END PANEL/WING END	1	\$ 92.00	\$ 92.00
70**-62	72" OVERHEAD CASE	1	\$ 619.00	\$ 619.00
7049-4046WG	WHITE GLASS DOORS FOR 72" OVERHEAD	1	\$ 294.00	\$ 294.00
70**-08LH	WARDROBE CABINET, LEFT	1	\$ 1345.00	\$ 1345.00
70**-08RH	WARDROBE CABINET, RIGHT	1	\$ 1345.00	\$ 1345.00

TYPICAL TOTAL

\$ 7111.00

** Must choose finish from available colors
 40 Mocha, 41 Honey Maple, 42 Mahogany, 43 White, 47 Walnut

PO.U.038 LAMINATE



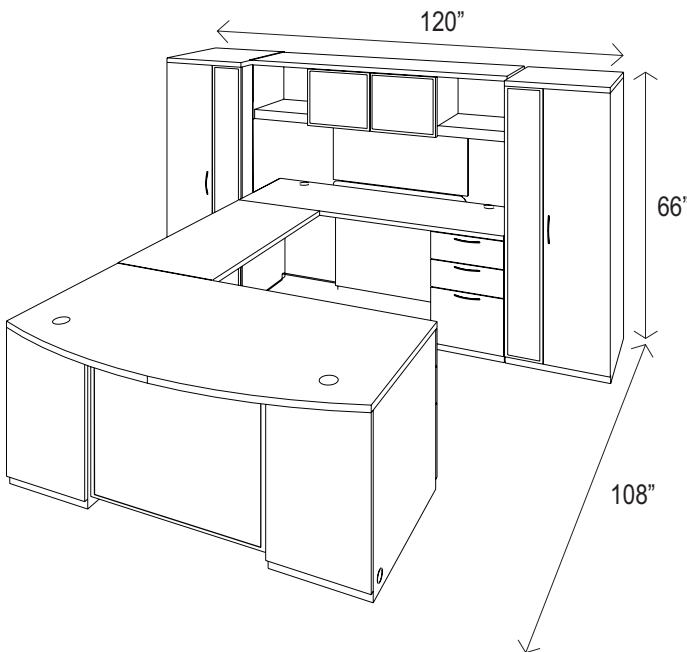
PART NO.	DESCRIPTION	QTY	LIST PRICE	TOTAL
70**-8221	72" BOW FRONT DESK TOP	1	\$ 359.00	\$ 359.00
70**-6201	72" CREDENZA TOP	1	\$ 268.00	\$ 268.00
70**-6203	48" BRIDGE/RETURN TOP	1	\$ 192.00	\$ 192.00
7049-1192	TOP SUPPORT RAILS 50"	2	\$ 68.00	\$ 136.00
7049-1193	TOP SUPPORT RAILS 44"	1	\$ 57.00	\$ 57.00
70**-4223	54" LAMINATE MODESTY PANEL	1	\$ 166.00	\$ 166.00
70**-5223	48" LAMINATE BRIDGE MODESTY PANEL	1	\$ 166.00	\$ 166.00
70**-8222	36" LAMINATE MODESTY PANEL	1	\$ 145.00	\$ 145.00
70**-831	BOX/BOX/FILE PEDESTAL, 18X30	1	\$ 670.00	\$ 670.00
70**-834	BOX/BOX/FILE PEDESTAL 18X24	1	\$ 573.00	\$ 573.00
70**-1182R	DESK WING END ASSEMBLY, RIGHT	1	\$ 170.00	\$ 170.00
70**-1172	CREDENZA END PANEL/WING END	1	\$ 92.00	\$ 92.00
70**-62	72" OVERHEAD CASE	1	\$ 619.00	\$ 619.00
70**-4046	LAMINATE DOORS FOR 72" OVERHEAD	1	\$ 120.00	\$ 120.00
70**-08LH	WARDROBE CABINET, LEFT	1	\$ 1345.00	\$ 1345.00
70**-08RH	WARDROBE CABINET, RIGHT	1	\$ 1345.00	\$ 1345.00
7049-101	36" X 18" REVERSIBLE TACKBOARD	1	\$ 140.00	\$ 140.00

TYPICAL TOTAL

\$ 6563.00

PO.U.038 GLASS

KIT # 70**-UDB19GRA



PART NO.	DESCRIPTION	QTY	LIST PRICE	TOTAL
70**-8221	72" BOW FRONT DESK TOP	1	\$ 359.00	\$ 359.00
70**-6201	72" CREDENZA TOP	1	\$ 268.00	\$ 268.00
70**-6203	48" BRIDGE/RETURN TOP	1	\$ 192.00	\$ 192.00
7049-1192	TOP SUPPORT RAILS 50"	2	\$ 68.00	\$ 136.00
7049-1193	TOP SUPPORT RAILS 44"	1	\$ 57.00	\$ 57.00
70**-4223	54" LAMINATE MODESTY PANEL	1	\$ 166.00	\$ 166.00
7049-5223WG	48" WHITE GLASS BRIDGE MODESTY	1	\$ 466.00	\$ 466.00
7049-8223WG	36" WHITE GLASS MODESTY PANEL	1	\$ 359.00	\$ 359.00
70**-831	BOX/BOX/FILE PEDESTAL, 18X30	1	\$ 670.00	\$ 670.00
70**-834	BOX/BOX/FILE PEDESTAL 18X24	1	\$ 573.00	\$ 573.00
70**-1182R	DESK WING END ASSEMBLY, RIGHT	1	\$ 170.00	\$ 170.00
70**-1172	CREDENZA END PANEL/WING END	1	\$ 92.00	\$ 92.00
70**-62	72" OVERHEAD CASE	1	\$ 619.00	\$ 619.00
7049-4046WG	WHITE GLASS DOORS FOR 72" OVERHEAD	1	\$ 294.00	\$ 294.00
70**-08LH	WARDROBE CABINET, LEFT	1	\$ 1345.00	\$ 1345.00
70**-08RH	WARDROBE CABINET, RIGHT	1	\$ 1345.00	\$ 1345.00
7049-901	36" MARKERBOARD	1	\$ 219.00	\$ 219.00

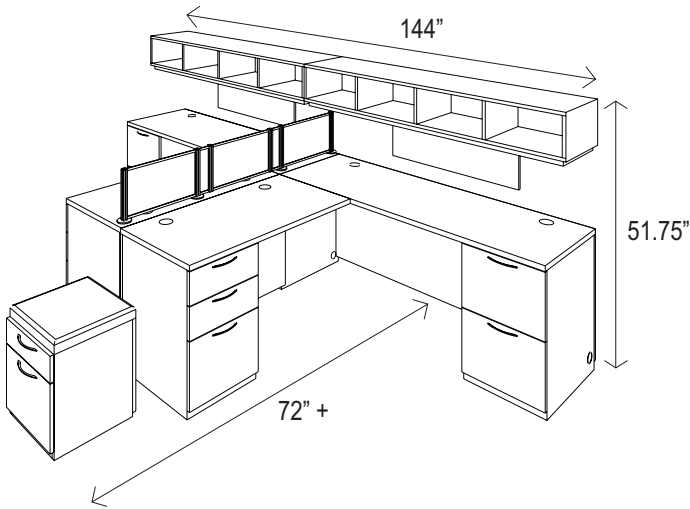
TYPICAL TOTAL

\$ 7330.00

**** Must choose finish from available colors
40 Mocha, 41 Honey Maple, 42 Mahogany, 43 White, 47 Walnut**

COLLABORATIVE (COL)

COL.L.001 LAMINATE

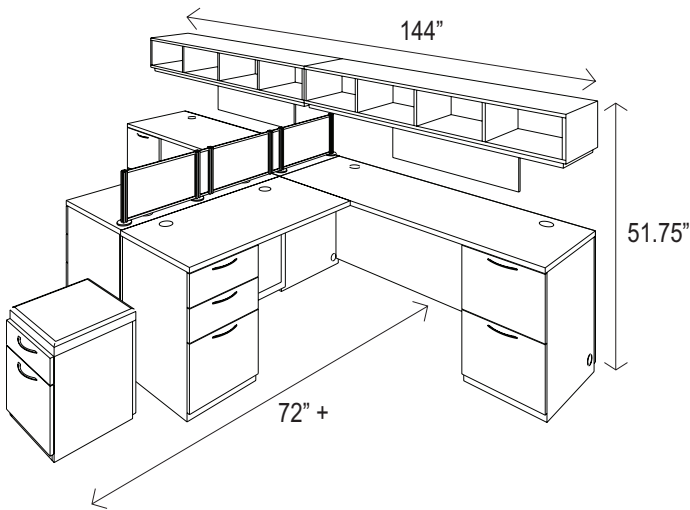


PART NO.	DESCRIPTION	QTY	LIST PRICE	TOTAL
70**-6201	72" CREENZA TOP	2	\$ 268.00	\$ 536.00
70**-6205	42" BRIDGE/RETURN TOP	2	\$ 161.00	\$ 322.00
7049-1192	TOP SUPPORT RAILS 50"	2	\$ 68.00	\$ 136.00
70**-4223	54" LAMINATE MODESTY PANEL	2	\$ 166.00	\$ 332.00
70**-6223	24" LAMINATE MODESTY PANEL	2	\$ 94.00	\$ 188.00
70**-833	FILE/FILE PEDESTAL 18X24	2	\$ 573.00	\$ 1146.00
70**-834	BOX/BOX/FILE PEDESTAL 18X24	2	\$ 573.00	\$ 1146.00
70**-1172	CREENZA END PANEL/WING END	2	\$ 92.00	\$ 184.00
70**-70	MOBILE PEDESTAL	1	\$ 494.00	\$ 494.00
70**-1107	72" HANGING/DECK STORAGE	2	\$ 401.00	\$ 802.00
7049-116	63" DIVIDER/PRIVACY SCREEN	1	\$ 364.00	\$ 364.00
7049-101	36" X 18" REVERSIBLE TACKBOARD	2	\$ 140.00	\$ 280.00

TYPICAL TOTAL

\$ 5930.00

COL.L.001 GLASS



PART NO.	DESCRIPTION	QTY	LIST PRICE	TOTAL
70**-6201	72" CREENZA TOP	2	\$ 268.00	\$ 536.00
70**-6205	42" BRIDGE/RETURN TOP	2	\$ 161.00	\$ 322.00
7049-1192	TOP SUPPORT RAILS 50"	2	\$ 68.00	\$ 136.00
70**-4223	54" LAMINATE MODESTY PANEL	2	\$ 166.00	\$ 332.00
7049-6223WG	24" WHITE GLASS MODESTY PANEL	2	\$ 252.00	\$ 504.00
70**-833	FILE/FILE PEDESTAL 18X24	2	\$ 573.00	\$ 1146.00
70**-834	BOX/BOX/FILE PEDESTAL 18X24	2	\$ 573.00	\$ 1146.00
70**-1172	CREENZA END PANEL/WING END	2	\$ 92.00	\$ 184.00
70**-70	MOBILE PEDESTAL	1	\$ 494.00	\$ 494.00
70**-1107	72" HANGING/DECK STORAGE	2	\$ 401.00	\$ 802.00
7049-116	63" DIVIDER/PRIVACY SCREEN	1	\$ 364.00	\$ 364.00
7049-101	36" X 18" REVERSIBLE TACKBOARD	2	\$ 140.00	\$ 280.00

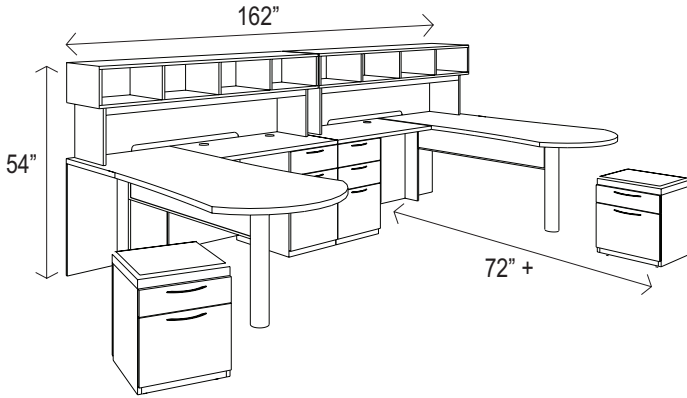
TYPICAL TOTAL

\$ 6246.00

COL.L.002 LAMINATE

KIT # 70**-LDD106A

PART NO.	DESCRIPTION	QTY	LIST PRICE	TOTAL
70**-7210	72 X 36 FAN SHAPED DESK	2	\$ 954.00	\$ 1908.00
70**-6203	48" BRIDGE/RETURN TOP	2	\$ 192.00	\$ 384.00
70**-9222	30" LAMINATE MODESTY PANEL	2	\$ 99.00	\$ 198.00
70**-834	BOX/BOX/FILE PEDESTAL 18X24	2	\$ 573.00	\$ 1146.00
70**-70	MOBILE PEDESTAL	2	\$ 494.00	\$ 988.00
70**-173	72" DESK DECK	2	\$ 456.00	\$ 912.00



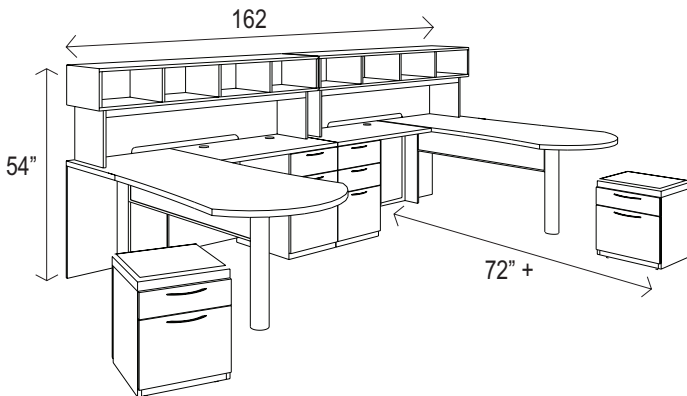
* Helpful Hint: Typical fits within a panel system at overall height of 54"

TYPICAL TOTAL

\$ 5536.00

COL.L.002 GLASS

PART NO.	DESCRIPTION	QTY	LIST PRICE	TOTAL
70**-7210	72 X 36 FAN SHAPED DESK	2	\$ 954.00	\$ 1908.00
70**-6203	48" BRIDGE/RETURN TOP	2	\$ 192.00	\$ 384.00
7049-9223WG	30" WHITE GLASS MODESTY PANEL	2	\$ 307.00	\$ 614.00
70**-834	BOX/BOX/FILE PEDESTAL 18X24	2	\$ 573.00	\$ 1146.00
70**-70	MOBILE PEDESTAL	2	\$ 494.00	\$ 988.00
70**-173	72" DESK DECK	2	\$ 456.00	\$ 912.00



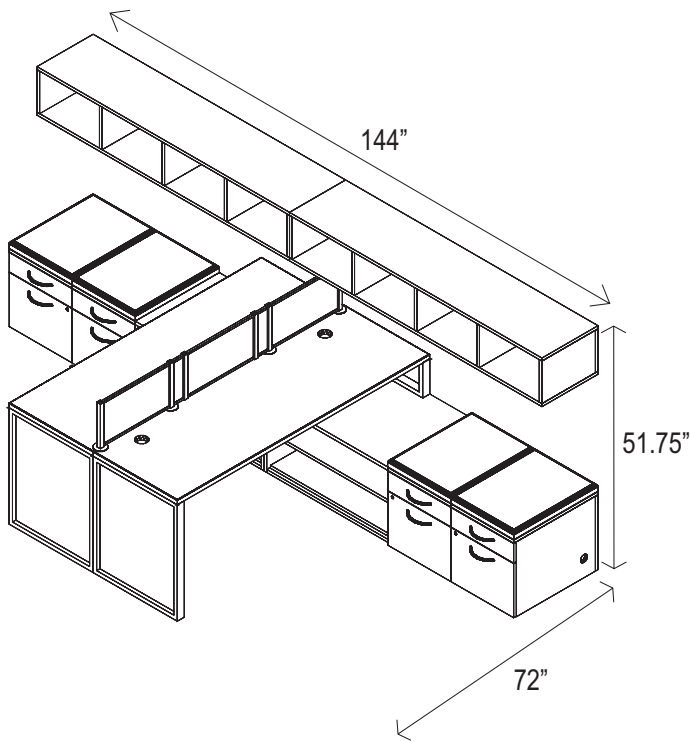
* Helpful Hint: Typical fits within a panel system at overall height of 54"

TYPICAL TOTAL

\$ 5952.00

** Must choose finish from available colors
40 Mocha, 41 Honey Maple, 42 Mahogany, 43 White, 47 Walnut

COL.L.003

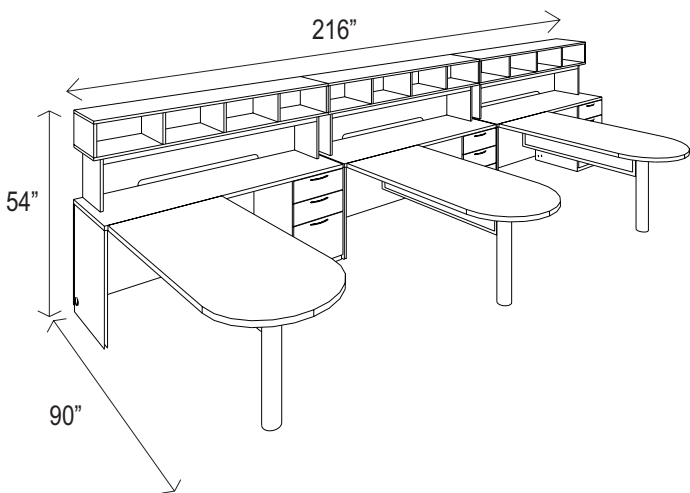


PART NO.	DESCRIPTION	QTY	LIST PRICE	TOTAL
70**-6201	72" CREDENZA TOP	2	\$ 268.00	\$ 536.00
7049-1191	TOP SUPPORT RAILS 60"	2	\$ 78.00	\$ 156.00
70**-7226	68" HOME OFFICE MODESTY PANEL	2	\$ 118.00	\$ 236.00
7049-5902	END SUPPORT FRAME	2	\$ 155.00	\$ 310.00
7049-5901WG	WHITE GLASS SUPPORT INSERT	2	\$ 239.00	\$ 478.00
7043-S837	BENCH HEIGHT PEDESTAL	2	\$ 619.00	\$ 1238.00
7043-S838	BENCH HEIGHT BOX/FILE PEDESTAL	4	\$ 509.00	\$ 2036.00
7049-1162	BENCH WING END SUPPORT FRAME	2	\$ 161.00	\$ 322.00
70**-1107	72" HANGING/DECK STORAGE	2	\$ 401.00	\$ 802.00
7049-113	69" DIVIDER/PRIVACY SCREEN	1	\$ 466.00	\$ 466.00
7049-18BC-SCXX	18" BENCH CUSHIONS	4	\$ 99.00	\$ 396.00

TYPICAL TOTAL

\$ 6976.00

COL.L.004



PART NO.	DESCRIPTION	QTY	LIST PRICE	TOTAL
70**-6210	66" CONFERENCE EXTENSION	3	\$ 595.00	\$ 1785.00
70**-6201	72" CREDENZA TOP	3	\$ 268.00	\$ 804.00
7049-1192	TOP SUPPORT RAILS 50"	3	\$ 68.00	\$ 204.00
70**-4223	54" LAMINATE MODESTY PANEL	3	\$ 166.00	\$ 498.00
70**-834	BOX/BOX/FILE PEDESTAL, 18X24	3	\$ 573.00	\$ 1719.00
70**-1172	CREDENZA END PANEL/WING END	3	\$ 92.00	\$ 276.00
70**-173	72" DESK DECK	3	\$ 456.00	\$ 1368.00

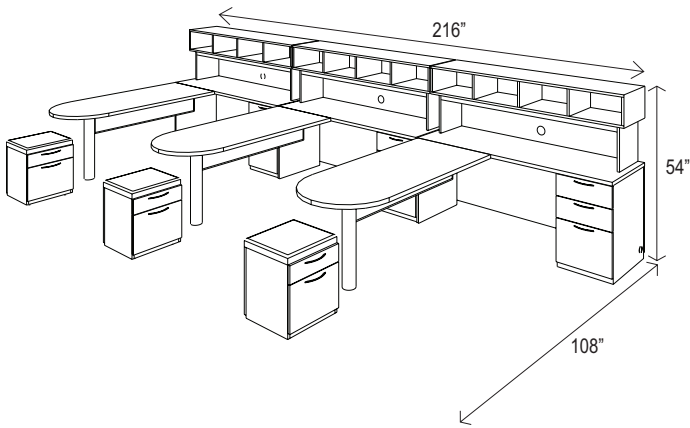
TYPICAL TOTAL

\$ 6654.00

* Helpful Hint: Typical fits within a panel system at overall height of 54"

** Must choose finish from available colors
40 Mocha, 41 Honey Maple, 42 Mahogany, 43 White, 47 Walnut

COL.L.005



PART NO.	DESCRIPTION	QTY	LIST PRICE	TOTAL
70**-6210	66" CONFERENCE EXTENSION	3	\$ 595.00	\$ 1785.00
70**-6201	72" CREDENZA TOP	3	\$ 268.00	\$ 804.00
7049-1192	TOP SUPPORT RAILS 50"	3	\$ 68.00	\$ 204.00
70**-4223	54" LAMINATE MODESTY PANEL	3	\$ 166.00	\$ 498.00
70**-834	BOX/BOX/FILE PEDESTAL, 18X24	3	\$ 573.00	\$ 1719.00
70**-1172	CREDENZA END PANEL/WING END	3	\$ 92.00	\$ 276.00
70**-70	MOBILE PEDESTAL	3	\$ 494.00	\$ 1482.00
70**-173	72" DESK DECK	3	\$ 456.00	\$ 1368.00

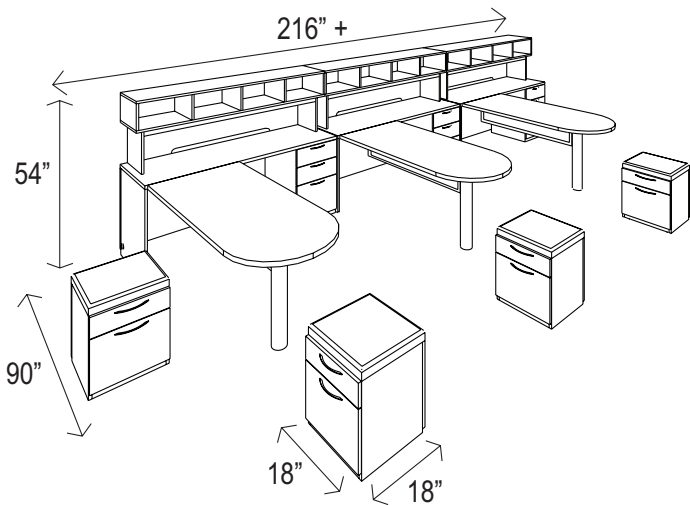
* Helpful Hint: Typical fits within a panel system at overall height of 54"

TYPICAL TOTAL

\$ 8136.00

COL.L.006

KIT # 70**-MS0170



PART NO.	DESCRIPTION	QTY	LIST PRICE	TOTAL
70**-6210	66" CONFERENCE EXTENSION	3	\$ 595.00	\$ 1785.00
70**-6201	72" CREDENZA TOP	3	\$ 268.00	\$ 804.00
7049-1192	TOP SUPPORT RAILS 50"	3	\$ 68.00	\$ 204.00
70**-4223	54" LAMINATE MODESTY PANEL	3	\$ 166.00	\$ 498.00
70**-834	BOX/BOX/FILE PEDESTAL, 18X24	3	\$ 573.00	\$ 1719.00
70**-1172	CREDENZA END PANEL/WING END	3	\$ 92.00	\$ 276.00
70**-70	MOBILE PEDESTAL	4	\$ 494.00	\$ 1976.00
70**-173	72" DESK DECK	3	\$ 456.00	\$ 1368.00

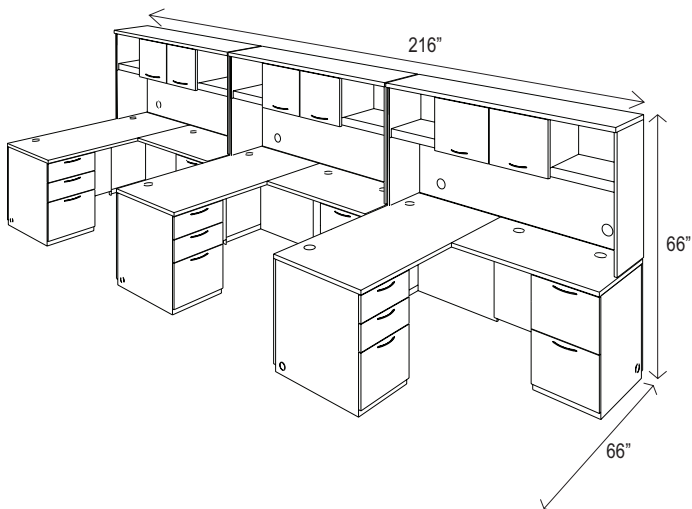
* Helpful Hint: Typical fits within a panel system at overall height of 54"

TYPICAL TOTAL

\$ 8630.00

** Must choose finish from available colors
40 Mocha, 41 Honey Maple, 42 Mahogany, 43 White, 47 Walnut

COL.L.007 LAMINATE

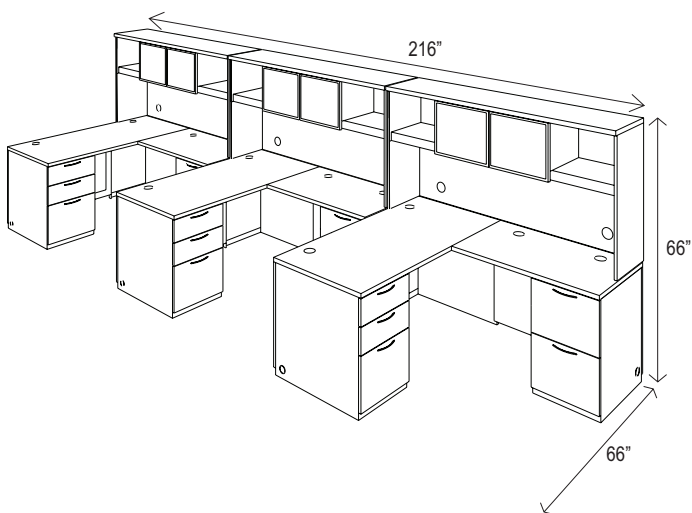


PART NO.	DESCRIPTION	QTY	LIST PRICE	TOTAL
70**-9211	66" STRAIGHT FRONT DESK TOP	3	\$ 279.00	\$ 837.00
70**-6205	42" BRIDGE/RETURN TOP	3	\$ 161.00	\$ 483.00
70**-9222	30" LAMINATE MODESTY PANEL	3	\$ 99.00	\$ 297.00
70**-6223	24" LAMINATE MODESTY PANEL	3	\$ 94.00	\$ 282.00
70**-831	BOX/BOX/FILE PEDESTAL, 18X30	3	\$ 670.00	\$ 2010.00
70**-833	FILE/FILE PEDESTAL, 18X24	3	\$ 573.00	\$ 1719.00
70**-1182R	DESK WING END ASSEMBLY, RIGHT	3	\$ 170.00	\$ 510.00
70**-62	72" OVERHEAD CASE	3	\$ 619.00	\$ 1857.00
70**-4046	LAMINATE DOORS FOR 72" OVERHEAD	3	\$ 120.00	\$ 360.00

TYPICAL TOTAL

\$ 8355.00

COL.L.007 GLASS

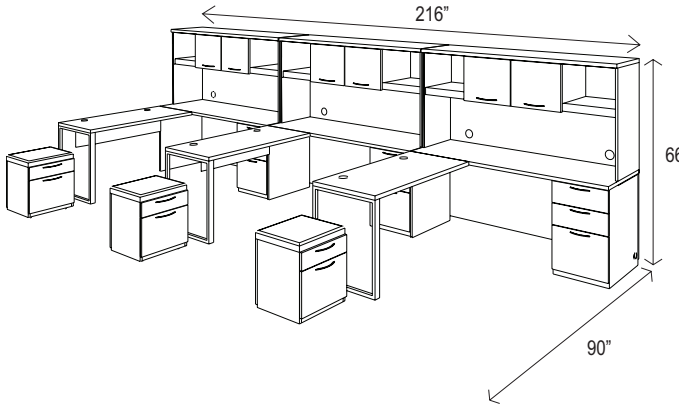


PART NO.	DESCRIPTION	QTY	LIST PRICE	TOTAL
70**-9211	66" STRAIGHT FRONT DESK TOP	3	\$ 279.00	\$ 837.00
70**-6205	42" BRIDGE/RETURN TOP	3	\$ 161.00	\$ 483.00
7049-9223WG	30" WHITE GLASS MODESTY PANEL	3	\$ 307.00	\$ 921.00
7049-6223WG	24" WHITE GLASS MODESTY PANEL	3	\$ 252.00	\$ 756.00
70**-831	BOX/BOX/FILE PEDESTAL, 18X30	3	\$ 670.00	\$ 2010.00
70**-833	FILE/FILE PEDESTAL, 18X24	3	\$ 573.00	\$ 1719.00
70**-1182R	DESK WING END ASSEMBLY, RIGHT	3	\$ 170.00	\$ 510.00
70**-62	72" OVERHEAD CASE	3	\$ 619.00	\$ 1857.00
7049-4046WG	WHITE GLASS DOORS FOR 72" OVERHEAD	3	\$ 294.00	\$ 882.00

TYPICAL TOTAL

\$ 9975.00

COL.L.008 LAMINATE

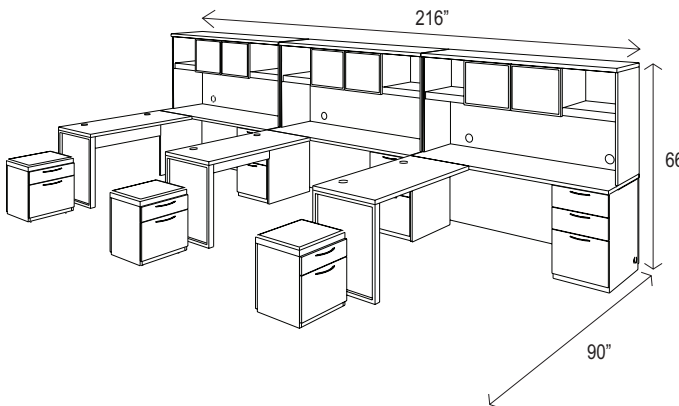


PART NO.	DESCRIPTION	QTY	LIST PRICE	TOTAL
70**-6201	72" CREDENZA TOP	3	\$ 268.00	\$ 804.00
70**-6203	48" BRIDGE/RETURN TOP	3	\$ 192.00	\$ 576.00
7049-1192	TOP SUPPORT RAILS 50"	3	\$ 68.00	\$ 204.00
7049-1193	TOP SUPPORT RAILS 44"	3	\$ 57.00	\$ 171.00
70**-4223	54" LAMINATE MODESTY PANEL	3	\$ 166.00	\$ 498.00
70**-6225	46" HOME OFFICE MODESTY PANEL	3	\$ 97.00	\$ 291.00
7049-5902	END SUPPORT FRAME	3	\$ 155.00	\$ 465.00
70**-834	BOX/BOX/FILE PEDESTAL, 18X24	3	\$ 573.00	\$ 1719.00
70**-1172	CREDENZA END PANEL/WING END	3	\$ 92.00	\$ 276.00
70**-70	MOBILE PEDESTAL	3	\$ 494.00	\$ 1482.00
70**-62	72" OVERHEAD CASE	3	\$ 619.00	\$ 1857.00
70**-4046	LAMINATE DOORS FOR 72" OVERHEAD	3	\$ 120.00	\$ 360.00

TYPICAL TOTAL

\$ 8703.00

COL.L.008 GLASS



PART NO.	DESCRIPTION	QTY	LIST PRICE	TOTAL
70**-6201	72" CREDENZA TOP	3	\$ 268.00	\$ 804.00
70**-6203	48" BRIDGE/RETURN TOP	3	\$ 192.00	\$ 576.00
7049-1192	TOP SUPPORT RAILS 50"	3	\$ 68.00	\$ 204.00
7049-1193	TOP SUPPORT RAILS 44"	3	\$ 57.00	\$ 171.00
70**-4223	54" LAMINATE MODESTY PANEL	3	\$ 166.00	\$ 498.00
70**-6225	46" HOME OFFICE MODESTY PANEL	3	\$ 97.00	\$ 291.00
7049-5902	END SUPPORT FRAME	3	\$ 155.00	\$ 465.00
7049-5901WG	WHITE GLASS SUPPORT INSERT	3	\$ 239.00	\$ 717.00
70**-834	BOX/BOX/FILE PEDESTAL, 18X24	3	\$ 573.00	\$ 1719.00
70**-1172	CREDENZA END PANEL/WING END	3	\$ 92.00	\$ 276.00
70**-70	MOBILE PEDESTAL	3	\$ 494.00	\$ 1482.00
70**-62	72" OVERHEAD CASE	3	\$ 619.00	\$ 1857.00
7049-4046WG	WHITE GLASS DOORS FOR 72" OVERHEAD	3	\$ 294.00	\$ 882.00

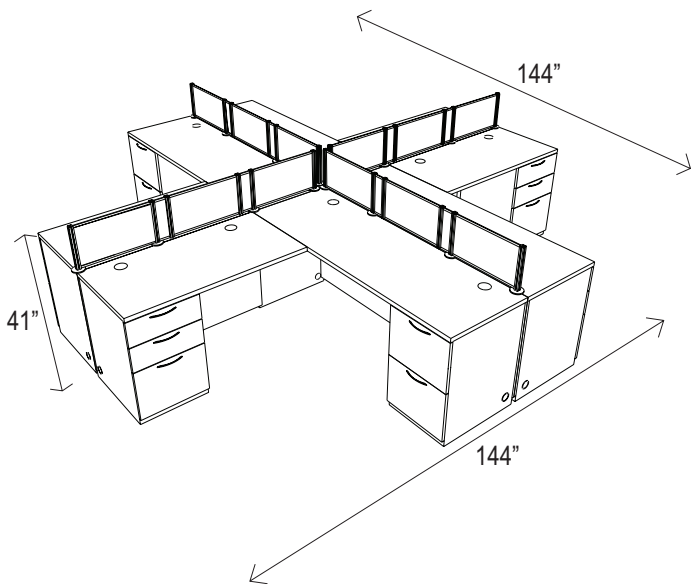
TYPICAL TOTAL

\$ 9942.00

**** Must choose finish from available colors
40 Mocha, 41 Honey Maple, 42 Mahogany, 43 White, 47 Walnut**

COL.L.009

KIT # 70**-MS5

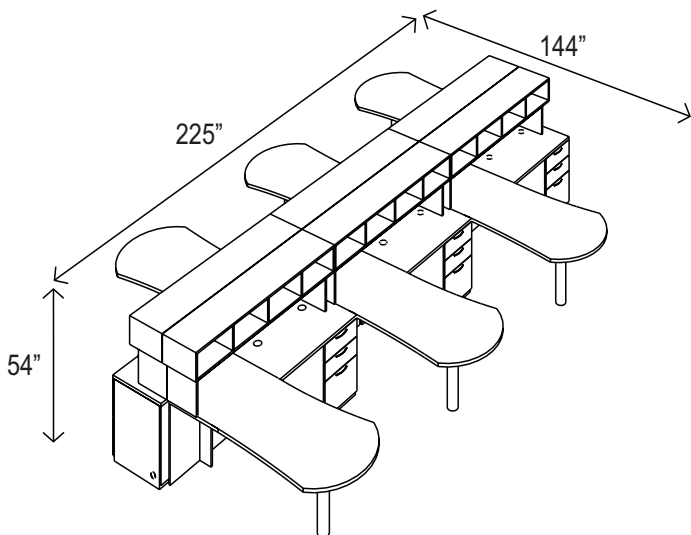


PART NO.	DESCRIPTION	QTY	LIST PRICE	TOTAL
70**-6201	72" CREENZA TOP	4	\$ 268.00	\$ 1072.00
70**-6203	48" BRIDGE/RETURN TOP	4	\$ 192.00	\$ 768.00
7049-1192	TOP SUPPORT RAILS 50"	4	\$ 68.00	\$ 272.00
70**-4223	54" LAMINATE MODESTY PANEL	4	\$ 166.00	\$ 664.00
70**-9222	30" LAMINATE MODESTY PANEL	4	\$ 99.00	\$ 396.00
70**-833	FILE/FILE PEDESTAL, 18X24	4	\$ 573.00	\$ 2292.00
70**-834	BOX/BOX/FILE PEDESTAL, 18X24	4	\$ 573.00	\$ 2292.00
70**-1172	CREENZA END PANEL/WING END	4	\$ 92.00	\$ 368.00
7049-113	69" DIVIDER/PRIVACY SCREEN	4	\$ 466.00	\$ 1864.00
0000-901	CONNECTOR	1	\$ 14.00	\$ 14.00

TYPICAL TOTAL

\$ 10002.00

COL.L.010



PART NO.	DESCRIPTION	QTY	LIST PRICE	TOTAL
70**-7210	72" FAN SHAPED DESK	6	\$ 954.00	\$ 5724.00
70**-6205	42" BRIDGE/RETURN TOP	6	\$ 161.00	\$ 966.00
70**-6223	24" LAMINATE MODESTY PANEL	6	\$ 94.00	\$ 564.00
70**-834	BOX/BOX/FILE PEDESTAL, 18X24	6	\$ 573.00	\$ 3438.00
70**-173	72" DESK DECK	6	\$ 456.00	\$ 2736.00

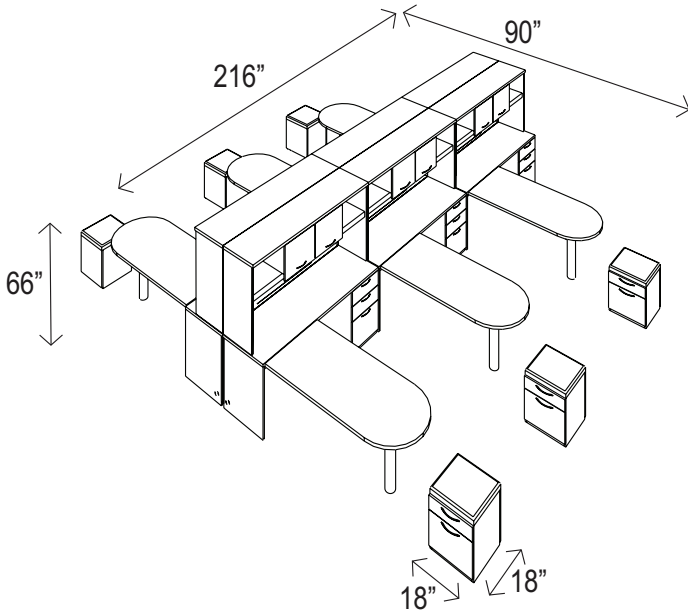
TYPICAL TOTAL

\$ 13428.00

* Helpful Hint: Typical fits within a panel system at overall height of 54"

** Must choose finish from available colors
40 Mocha, 41 Honey Maple, 42 Mahogany, 43 White, 47 Walnut

COL.L.011 LAMINATE

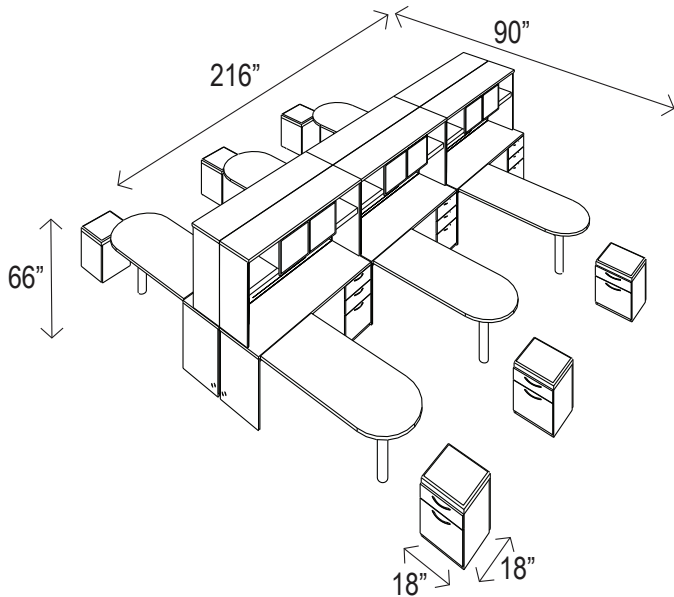


PART NO.	DESCRIPTION	QTY	LIST PRICE	TOTAL
70**-6210	66" CONFERENCE EXTENSION	6	\$ 595.00	\$ 3570.00
70**-6201	72" CREDENZA TOP	6	\$ 268.00	\$ 1608.00
7049-1192	TOP SUPPORT RAILS 50"	6	\$ 68.00	\$ 408.00
70**-4223	54" LAMINATE MODESTY PANEL	6	\$ 166.00	\$ 996.00
70**-834	BOX/BOX/FILE PEDESTAL, 18X24	6	\$ 573.00	\$ 3438.00
70**-1172	CREDENZA END PANEL/WING END	6	\$ 92.00	\$ 552.00
70**-70	MOBILE PEDESTAL	6	\$ 494.00	\$ 2964.00
70**-62	72" OVERHEAD CASE	6	\$ 619.00	\$ 3714.00
70**-4046	LAMINATE DOORS FOR 72" OVERHEAD	6	\$ 120.00	\$ 720.00

TYPICAL TOTAL

\$ 17970.00

COL.L.011 GLASS



PART NO.	DESCRIPTION	QTY	LIST PRICE	TOTAL
70**-6210	66" CONFERENCE EXTENSION	6	\$ 595.00	\$ 3570.00
70**-6201	72" CREDENZA TOP	6	\$ 268.00	\$ 1608.00
7049-1192	TOP SUPPORT RAILS 50"	6	\$ 68.00	\$ 408.00
70**-4223	54" LAMINATE MODESTY PANEL	6	\$ 166.00	\$ 996.00
70**-834	BOX/BOX/FILE PEDESTAL, 18X24	6	\$ 573.00	\$ 3438.00
70**-1172	CREDENZA END PANEL/WING END	6	\$ 92.00	\$ 552.00
70**-70	MOBILE PEDESTAL	6	\$ 494.00	\$ 2964.00
70**-62	72" OVERHEAD CASE	6	\$ 619.00	\$ 3714.00
7049-4046WG	WHITE GLASS DOORS FOR 72" OVERHEAD	6	\$ 294.00	\$ 1764.00

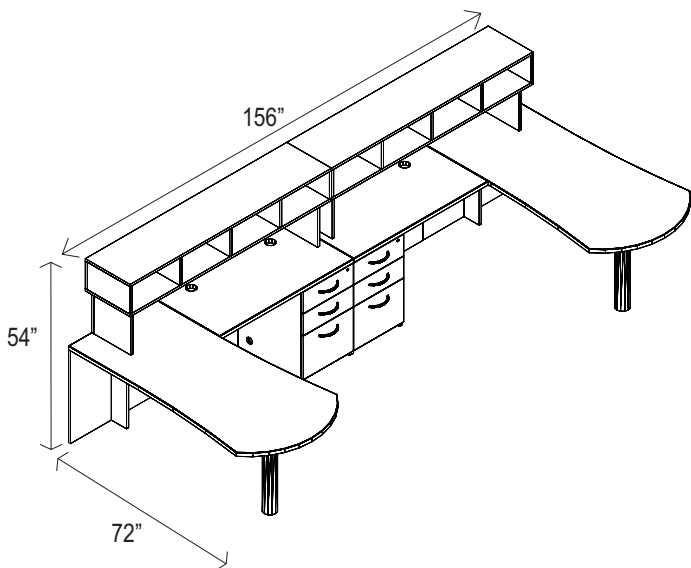
TYPICAL TOTAL

\$ 19014.00

**** Must choose finish from available colors
40 Mocha, 41 Honey Maple, 42 Mahogany, 43 White, 47 Walnut**

COL.L.012

PART NO.	DESCRIPTION	QTY	LIST PRICE	TOTAL
70**-7210	72" FAN SHAPED DESK	2	\$ 954.00	\$ 1908.00
70**-6203	48" BRIDGE/RETURN TOP	2	\$ 192.00	\$ 384.00
70**-9222	30" LAMINATE MODESTY PANEL	2	\$ 99.00	\$ 198.00
70**-834	BOX/BOX/FILE PEDESTAL 18X24	2	\$ 573.00	\$ 1146.00
70**-173	72" DESK DECK	2	\$ 456.00	\$ 912.00



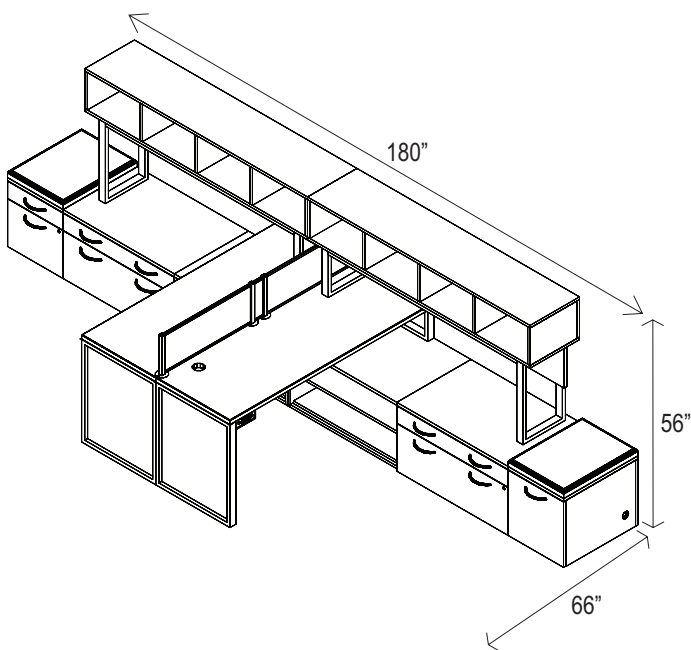
* Typical fits within a panel system at overall height of 54"

TYPICAL TOTAL

\$ 4548.00

COL.L.013

PART NO.	DESCRIPTION	QTY	LIST PRICE	TOTAL
70**-6202	66" CREDENZA TOP	2	\$ 252.00	\$ 504.00
7049-1191	TOP SUPPORT RAIL 60"	2	\$ 78.00	\$ 156.00
70**-7225	62" HOME OFFICE MODESTY PANEL	2	\$ 118.00	\$ 236.00
7049-5902	END SUPPORT FRAME	2	\$ 155.00	\$ 310.00
7049-5901WG	WHITE GLASS SUPPORT INSERT	2	\$ 239.00	\$ 478.00
7043-S837	BENCH HEIGHT SHELF PEDESTAL	2	\$ 619.00	\$ 1238.00
7043-S827	BENCH HEIGHT BOX/LATERAL FILE PED	2	\$ 825.00	\$ 1650.00
7043-S834R	RIGHT BENCH HEIGHT DOOR PEDESTAL	1	\$ 391.00	\$ 391.00
7043-S838	BENCH HEIGHT BOX/FILE PEDESTAL	1	\$ 509.00	\$ 509.00
7049-1162	BENCH WING END SUPPORT FRAME	2	\$ 161.00	\$ 322.00
70**-1107	72" HANGING/DECK STORAGE	2	\$ 401.00	\$ 802.00
7049-110	DECK STORAGE SUPPORT FRAME	2	\$ 327.00	\$ 654.00
70**-110712	DECK BACK PANEL 12"H	2	\$ 94.00	\$ 188.00
7049-18BC-SCXX	18" BENCH CUSHIONS	2	\$ 99.00	\$ 198.00
7049-116	63" DIVIDER/PRIVACY SCREEN	1	\$ 364.00	\$ 364.00
7049-104	36 X 11 REVERSIBLE TACKBOARD	2	\$ 107.00	\$ 214.00



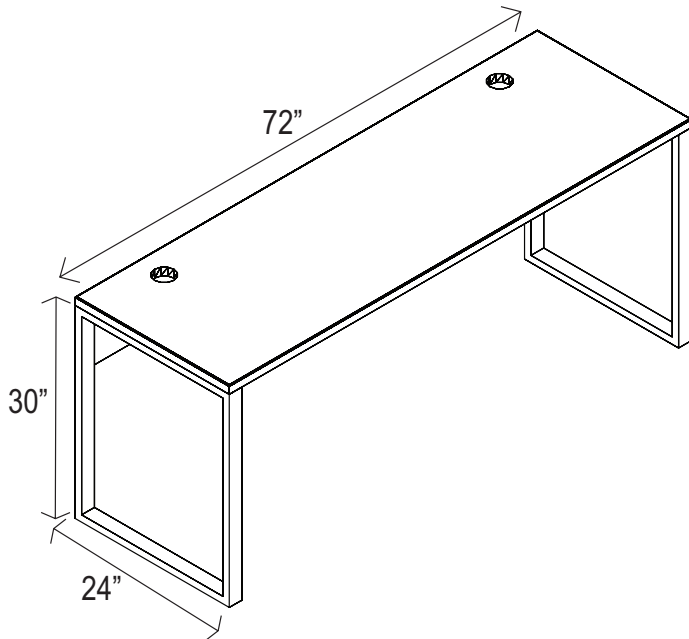
TYPICAL TOTAL

\$ 8214.00

** Must choose finish from available colors
 40 Mocha, 41 Honey Maple, 42 Mahogany, 43 White, 47 Walnut

TABLES

Example of 72"W x 24"D Table



PART NO.	DESCRIPTION	QTY	LIST PRICE	TOTAL
70**-6210	72" CREDENZA TOP	1	\$ 595.00	\$ 595.00
7049-1191	60" TOP SUPPORT RAIL	1	\$ 78.00	\$ 78.00
70**-7226	68" MODESTY PANEL	1	\$ 118.00	\$ 118.00
7049-5902	END SUPPORT FRAME	2	\$ 155.00	\$ 310.00

TYPICAL TOTAL

\$ 1101.00

Tables can be configured with different work surface sizes

Examples:

72"W x 24"D (shown above)

66"W x 24"D

60"W x 30"D

72"W x 36"D

EXAMPLES OF CONFIGURATIONS:

FIG. 1

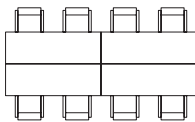


FIG. 2

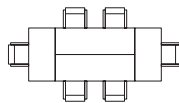


FIG. 3

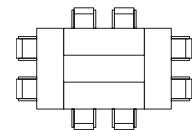


FIG. 4

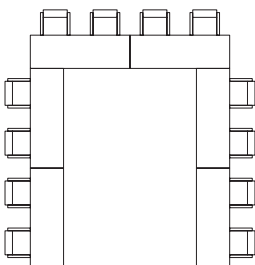


FIG. 5

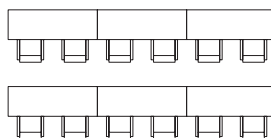
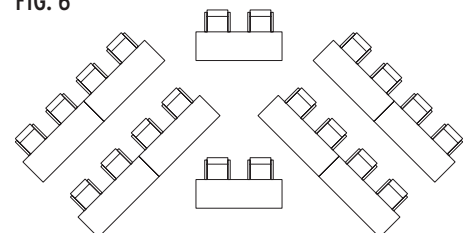


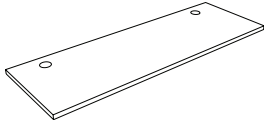
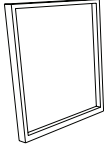
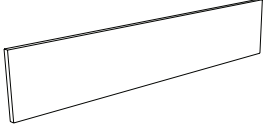

FIG. 6



** Must choose finish from available colors
 40 Mocha, 41 Honey Maple, 42 Mahogany, 43 White, 47 Walnut

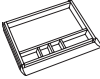
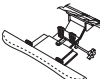

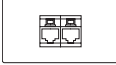
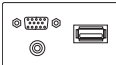






TABLES

OPTIONS FOR CONFIGURATIONS:

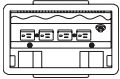


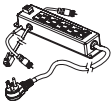





Size	Top	End Support	Modesty Panel	Top Support Rail
66W x 24D	 70**-6202	 7049-5902 (2)	 70**-7225	 7049-1191
72W x 24D	70**-6201	7049-5902 (2)	70**-7226	7049-1191
60W x 30D	70**-6211	7049-5902 (2)	70**-7224	7049-1192
66W x 30D	70**-9211	7049-5902 (2)	70**-7225	7049-1191
72W x 36D	70**-8211	7049-5912 (2)	70**-7226	7049-1191

Optional White Glass Insert
for End Support
7049-5901WG (2) or
7049-5911WG (2)




ACCESSORIES

ITEM	DESCRIPTION	MODEL	W"	D"	H"	WT. (lbs.)	CUBIC FT.	LIST PRICE	
	Optional Center Drawer	• Black finish, compartmentalized drawer	0000-2	20.5	18	2	5.5	0.7	\$ 96.00
	Deluxe Keyboard Support with Mouse Pad	• Includes arm, clamp, palm rest and 17.75" track keyboard secures with knob operated clamp comfortable • Washable foam palm rest 5.75 of height adjustment +/- 15° of tilt adjustment • Steel constructed in a black matte finish	0000-7	32	20		12	0.6	\$ 433.00
	19" J-Channel	• Three relectrical outlets one telecom plate cutout	0000-13	19	4	8	2	0.4	\$ 215.00
	Conference Table Telecom Plate	• Two data ports RJ-45 • Fits into 0000-28, 0000-29, 0000-26, 0000-27	0000-22				1	0.4	\$ 132.00
	Conference Table Telecom Plate	• One wach HDMI, VGA, stereo port • Fits into 0000-28, 0000-29, 0000-26, 0000-27	0000-23				1	0.4	\$ 315.00
	Conference Table Power Center	•Table top unit with one duplex (two power outlets), 15 amp circuit breaker, third receptacle in bottom of unit for convenient outlet, cutout for one telecom plate, 72" cord • UL listed; CSA certified • Available in black or pearl NOTE: ORDERS FOR POWER CENTER INSTALLATIONS CANNOT BE CANCELLED	0000-26 Black 0000-3199 Power Center Installation				4	0.2	\$ 391.00 \$ 497.00
	Conference Table Power Center	•Table top unit with two duplexes (four power outlets), 15 amp circuit breaker, cutout for 4 telecom plate, 72" cord • UL listed; CSA certified • Available in black or pearl NOTE: ORDERS FOR POWER CENTER INSTALLATIONS CANNOT BE CANCELLED	0000-27 Pearl 0000-3199 Power Center Installation				4	0.2	\$ 422.00 \$ 497.00
	Conference Table Power Center	•Table top unit with two duplexes (four power outlets), 15 amp circuit breaker, cutout for 4 telecom plate, 72" cord • UL listed; CSA certified • Available in black or pearl NOTE: ORDERS FOR POWER CENTER INSTALLATIONS CANNOT BE CANCELLED	0000-28 Black 0000-3199 Power Center Installation				4	0.2	\$ 785.00 \$ 497.00
	Conference Table Power Center	•Table top unit with two duplexes (four power outlets), 15 amp circuit breaker, cutout for 4 telecom plate, 72" cord • UL listed; CSA certified • Available in black or pearl NOTE: ORDERS FOR POWER CENTER INSTALLATIONS CANNOT BE CANCELLED	0000-29 Pearl 0000-3199 Power Center Installation				4	0.2	\$ 762.00 \$ 497.00
	Conference Table Data / Power Center	•Tabletop flip up unit with 2 power receptacles, 2 RJ-475 cat 6 connectors, 72" cord •UL listed •CSA certified •Available in black or silver powder coated NOTE: ORDERS FOR POWER CENTER INSTALLATIONS CANNOT BE CANCELLED	0000-31 Black 0000-3199 Power Center Installation				4	0.2	\$ 381.00 \$ 497.00
	Conference Table Data / Power Center	•Tabletop flip up unit with 2 power receptacles, 2 RJ-475 cat 6 connectors, 72" cord •UL listed •CSA certified •Available in black or silver powder coated NOTE: ORDERS FOR POWER CENTER INSTALLATIONS CANNOT BE CANCELLED	0000-32 Silver Powder Coat 0000-3199 Power Center Installation				4	0.2	\$ 443.00 \$ 497.00

ACCESSORIES

ITEM	DESCRIPTION	MODEL	W"	D"	H"	WT. (lbs.)	CUBIC FT.	LIST PRICE
	<ul style="list-style-type: none"> • Table top unit with two duplexes (four power outlets), 72" cord with molded plug, 15 amp circuit breaker • UL listed • CSA certified • Available in black or pearl <p>NOTE: ORDERS FOR POWER CENTER INSTALLATIONS CANNOT BE CANCELLED</p>	0000-35 Black 0000-3199 Power Center Installation				4	0.2	\$ 687.00 \$ 497.00
		0000-36 Pearl 0000-3199 Power Center Installation				4	0.2	\$ 714.00 \$ 497.00
	<ul style="list-style-type: none"> • Fits into an existing 3" diameter grommet opening • Lift up unit with one power receptacle and one RJ45 cat 6 data connector • 72" power cord • Black; powder coated steel 	0000-37				5	0.4	\$ 415.00
	<ul style="list-style-type: none"> • Black; flip-lid top • Three USB 2.0 ports with a total of 2A power • Card reader with SD/SDHC/MMC, MS Pro/Duo slots • 100-240V AC/DC 2A adapter; External audio jack • 6' digital cable, combined 3.5mm headphone/microphone jack and USB type A jack • Designed for easy grommet hole installation 	0000-38	3.5	3.5	2.6	2	0.10	\$ 113.00
	<ul style="list-style-type: none"> • Four power outlets, phone jack with phone cable, TV cable • AC125V 12A 60Hz rating • Overload protect switch with indicator light • SJT 14AWG/3C power cord • Black • Factory installation not available. Includes hardware for attachment to desired location. 	0000-40	7.5	2	1.5	2	0.15	\$ 82.00
	<ul style="list-style-type: none"> • Black • One AC grounded outlet; One USB pass through 	0000-41				2	0.15	\$ 77.00
	<ul style="list-style-type: none"> • Two USB chargers per DCSV 1A • AC 125V 60Hz 10A rating • 8' 16AWGX3C power cord with ground plug <p>NOTE: ORDERS FOR INSTALLATIONS CANNOT BE CANCELLED</p>	0000-0099						\$ 452.00
	<ul style="list-style-type: none"> • Black • Two outlets • Two DCSV 2.14 USB ports • AC 125V 60Hz, 12A max rating • 6' SJT 14AWG/3C power cord • Designed for easy grommet hole installation • Requires minimum 12" clearance under mounted surface for correct operation 	0000-42	3.5	3.5	10	3	0.35	\$ 135.00
	<ul style="list-style-type: none"> • Two electrical outlet, two RJ45 ports 	0000-43						\$ 360.00
	<ul style="list-style-type: none"> • Two electrical outlet, two USB ports 	0000-44	6.5	2.5	3.5	1	0.1	\$ 465.00

ACCESSORIES

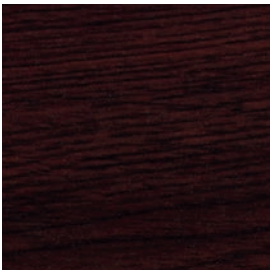
ITEM	DESCRIPTION	MODEL	W"	D"	H"	WT. (lbs.)	CUBIC FT.	LIST PRICE
Villa Power Center	• Two electrical outlet, two RJ45 ports	0000-45	10	4	3	1	.01	\$ 540.00
								
72" Starter Cable Cord	• 15 amp	0000-61	72	2	1	.05	.01	\$ 205.00
54" Starter Cable Cord	• 15 amp	0000-62	54	2	1	.05	.01	\$ 290.00
72" Connectory Cord	• Flexible metal; female/female end	0000-63	72	2	1	.05	.01	\$ 175.00
19" Task Light	• 16 Watt Lamp • Black framed fluorescent light • On/off switch • 10' SPT-2 black cord • UL & CUL listed	0000-300	19	1.5	0.75	5	0.4	\$ 112.00
								
35.75" Task Light	• 21 Watt Lamp • Black framed fluorescent light • On/off switch • 10' SPT-2 black cord • UL & CUL listed	0000-400	35.75	1.5	0.75	8	0.2	\$ 147.00
								
Optional Grommets for Conference Tables	NOTE: ORDERS FOR GROMMET INSTALLATIONS CANNOT BE CANCELLED	0000-099 Black Finish				1	0.2	\$ 38.00
		0000-098 Antique Brass Finish				1	0.2	\$ 38.00
		0000-097 Brushed Platinum Finish				1	0.2	\$ 38.00
		0000-3099C Grommet Installation						\$ 452.00

NUMBER CLASSIFICATIONS & INDEX

OLD TYPICAL NUMBER	NEW NUMBER	PAGE	OLD TYPICAL NUMBER	NEW NUMBER	PAGE
ACCESSORIES			OPEN OFFICE (OPN)		
	0000-097	81		OPN.F.001	2
	0000-098	81		OPN.F.002	2
	0000-099	81		OPN.L.003	3
	0000-2	79		OPN.L.004	3
	0000-7	79		OPN.L.005	4
	0000-13	79	LD.106R.42	OPN.L.006	5
	0000-22	79	LD.106R	OPN.L.007	6
	0000-22	79	LD.1570	OPN.L.008	7
	0000-26	79	LD.107R.42	OPN.L.009	8
	0000-27	79	LD.107R	OPN.L.010	9
	0000-28	79		OPN.L.011	10
	0000-29	79		OPN.L.012	11
	0000-31	79			
	0000-32	79	PRIVATE OFFICE (PO)		
	0000-35	80	LD.013R.42	PO.L.001	30
	0000-36	80	LD.013R	PO.L.002	31
	0000-37	80	LD.006R.42	PO.L.003	32
	0000-38	80	LD.006R	PO.L.004	33
	0000-40	80	LD.005R.42	PO.L.005	34
	0000-41	80	LD.005R	PO.L.006	35
	0000-42	80	LD.002R.42	PO.L.007	36
	0000-43	80	LD.002R	PO.L.008	37
	0000-44	80	LD.100L	PO.L.009	38
	0000-45	81	LD.108R.42	PO.L.010	39
	0000-61	81	LD.108R	PO.L.011	40
	0000-62	81	LD.110R	PO.L.012	41
	0000-63	81	LD.103R	PO.L.013	42
	0000-300	81	EO.008.66	PO.D.014	43
	0000-400	81	EO.008	PO.D.015	44
			EO.001	PO.D.016	45
			EO.104.66	PO.D.017	46
			EO.104	PO.D.018	47
			EO103G	PO.D.019	48
			EO.102	PO.D.020	49
			UD.019R.42	PO.U.021	50
			UD.019	PO.U.022	51
			UD.021R.42	PO.U.023	52
			UD.021R	PO.U.024	53
			UD.009R.42	PO.U.025	54
			UD.009R	PO.U.026	55
			UD.016R.42	PO.U.027	56
			UD.016R	PO.U.028	57
			UD.002R.42	PO.U.029	58
			UD.002R	PO.U.030	59
			UD.107R.42	PO.U.031	60
			UD.107R	PO.U.032	61
			72108UH	PO.U.033	62
			UD.103R.42	PO.U.034	63
			UD.103R	PO.U.035	64
			UD.109R.42	PO.U.036	65
			UD.109R	PO.U.037	66
			UBD19GRA	PO.U.038	67
			RECEPTION (REC)		
			72REC.R	REC.L.001	29
			REC144A	REC.U.002	29
			SMALL OFFICE/HOME OFFICE (SH)		
			SH.002	SH.T.001	12
			SH.004	SH.T.002	13
			SH543	SH.T.003	14
			SH.006	SH.T.004	15
				SH.L.005	16
				SH.L.006	16
				SH.L.007	17
				SH.L.008	18
			SH.001	SH.T.009	18
BENCHING (BN)					
BN9	BN.S.001	19			
BN8	BN.S.002	19			
BN7	BN.S.003	20			
BN7A	BN.S.004	20			
BN.001	BN.S.005	21			
BN15402	BN.L.006	21			
BN15402-CUSH	BN.L.007	22			
BN.005	BN.L.008	22			
	BN.L.009	23			
	BN.L.010	23			
	BN.L.011	24			
BN.003	BN.L.012	24			
BN.002	BN.L.013	25			
	BN.L.014	252			
	BN.L.015	26			
BN.006	BN.L.016	26			
	BN.L.017	27			
BN6A417	BN.L.018	27			
	BN.S.019	28			
	BN.S.020	28			
COLLABORATIVE (COL)					
LDD14A	COL.L.001	68	RECEPTION (REC)		
LDD106A	COL.L.002	69	72REC.R	REC.L.001	29
BN4A4	COL.L.003	70	REC144A	REC.U.002	29
MS01	COL.L.004	70			
MS.001R	COL.L.005	71	SMALL OFFICE/HOME OFFICE (SH)		
MS0170	COL.L.006	71	SH.002	SH.T.001	12
MS.0170 OR MS013	COL.L.007	72	SH.004	SH.T.002	13
MS.003R	COL.L.008	73	SH543	SH.T.003	14
MS5	COL.L.009	74	SH.006	SH.T.004	15
MS7	COL.L.010	74		SH.L.005	16
MS8	COL.L.011	75		SH.L.006	16
	COL.L.12	76		SH.L.007	17
	COL.L.13	76		SH.L.008	18
				SH.T.009	18



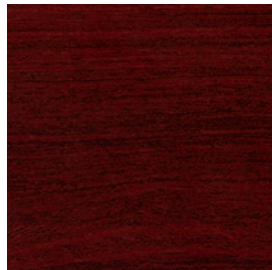
DMI Office Furniture
9780 Ormsby Station Road
Ste 2000
Louisville, KY 40223
888.372.1927
(Fax) 800.755.2878
www.dmiofficefurniture.com



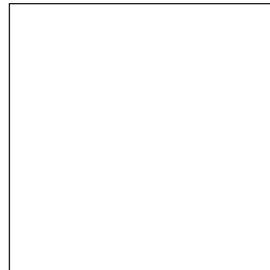
MOCHA
(COLOR: 7040)



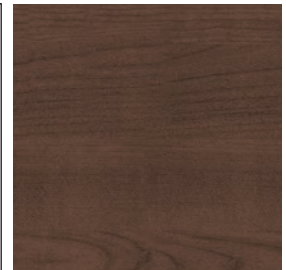
HONEY MAPLE
(COLOR: 7041)



MAHOGANY
(COLOR: 7042)



WHITE
(COLOR: 7043)



WALNUT
(COLOR: 7047)



For complete details and SKU listings for Causeway, please see our pricebook, or visit www.dmiofficefurniture.com/cswy

