

Office Doctor Discount Office Furniture

www.OfficeDr.com 856-368-9085

Groupe Lacasse Half Price Sale On Now

Take Half Off the List Prices in this PDF

Call 856-368-9085 Now

Free Layout & Design Service

C.A. Series

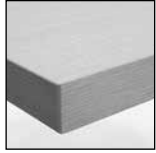




EDGEBANDING

Furniture with 1" (25 mm) thick tops.

N EDGE



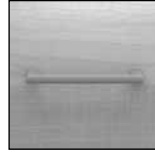
Smooth 1/16" (1,5 mm) thick edge.

The **N edge** is matched with the finish specified for the surface.

HANDLE

Metal handle.

E – Square, Silver



CODIFICATION

| Series | Options | | |
|--------|---------------------------|----------|--------------|
| | Thickness | Handle | Accent color |
| CA | 1 Thermofused laminate 1" | E Square | S Silver |

REVERSIBLE



All C.A. storage and work surfaces are reversible and fit together left or right. A big plus if you change your space... or change your mind!

IMPORTANT

All LACASSE laminate colors are available except for the modular pedestal and the lateral file unit which come in Snow (SNO) finish only. All furniture is shipped ready-to-assemble, except the modular pedestal and the lateral file unit which ship assembled.

Casegoods are made of particleboard panels finished on both sides with mar-resistant high-performance thermofused laminate (45 lbs/ft³). The black full extension ball bearing suspensions have a load capacity of 100 lbs to 150 lbs depending on the type of drawer. The lateral file unit has an anti-tipping system. All door hinges are 110°. Levelers allow up to 1 1/2" (38 mm) height adjustment.

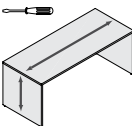
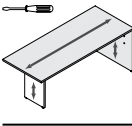
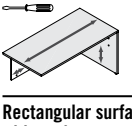
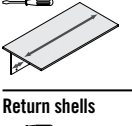
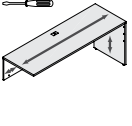
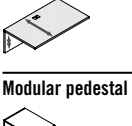

LACASSE QUICKSHIP PROGRAM*

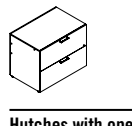
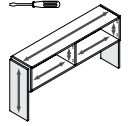
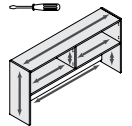
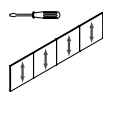
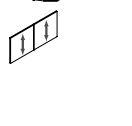
Products and suggested layouts identified by this pictogram are part of the Lacasse quick delivery program.

Please refer to page 3 for complete program details.

* Due to current market conditions, always refer to our Lead-Time Guide for a confirmation of our current Lacasse QuickShip lead-times.



| | W x D x H (in) | W x D x H (mm) | Code | Price (\$) |
|--|--|------------------|----------------|------------|
| Desk shell  | <i>Recessed half-height modesty panel.</i> | | | |
| | 72 x 30 x 29 | 1800 x 750 x 735 | CA1NN-TDM3072 | 856 |
| Rectangular table with modesty panel  | <i>Reversible. Half-height laminate modesty panel.</i> | | | |
| | 72 x 30 x 29 | 1800 x 750 x 735 | CA1NN-RTM3072 | 804 |
| Rectangular surface-return with modesty panel  | <i>Reversible. Recessed half-height modesty panel. Can accommodate 1 modular pedestal or 1 lateral file unit.</i> | | | |
| | 60 x 30 x 29 | 1500 x 750 x 735 | CA1NN-RTS3060 | 629 |
| Rectangular surface with modesty panel  | <i>Recessed half-height modesty panel. Can accommodate 2 modular pedestals or 2 lateral file units.</i> | | | |
| | 60 x 30 x 29 | 1500 x 750 x 735 | CA1NN-BD3060 | 510 |
| Return shells  | <i>Reversible. Half-height modesty panel. Can accommodate 1 modular pedestal or 1 lateral file unit. Grommet.</i> | | | |
| | 72 x 24 x 29 | 1800 x 600 x 735 | CA1NS-R2472S | 603 |
| | 60 x 24 x 29 | 1500 x 600 x 735 | CA1NS-R2460S | 586 |
| | 48 x 24 x 29 | 1200 x 600 x 735 | CA1NS-R2448S | 562 |
| Bridge-return  | <i>Reversible. Half-height modesty panel. Grommet.</i> | | | |
| | 42 x 24 x 29 | 1050 x 600 x 735 | CA1NS-BR2442 | 387 |
| Modular pedestal  | <i>2 box drawers, 1 file drawer with suspension bar. Pencil tray. Lock. Must be installed under a surface. Snow (SNO) finish only.</i> | | | |
| | 16 x 23 x 28 | 400 x 598 x 713 | CANES-P1623UFL | 1,038 |

| | W x D x H (in) | W x D x H (mm) | Code | Price (\$) |
|--|--|------------------|----------------|------------|
| Lateral file unit  | <i>2 file drawers with suspension bar. Lock. Can be used freestanding or can be installed under a surface. Snow (SNO) finish only.</i> | | | |
| | 36 x 23 x 28 | 900 x 598 x 713 | CANES-2336LFL | 1,333 |
| Hutches with open back, adjustable sides – 36" H  | <i>Clearance: 19 3/8" (488 mm). Side panels allow up to 1" (25 mm) height adjustment. Can accommodate a set of 2 or 4 doors.</i> | | | |
| | 72 x 16 x 36 | 1800 x 400 x 900 | CANNN-EA723616 | 839 |
| | 60 x 16 x 36 | 1500 x 400 x 900 | CANNN-EA603616 | 804 |
| Hutches with closed back – 36" H  | <i>Clearance: 19 3/8" (488 mm). Grommet on the back. Can accommodate a set of 2 or 4 doors.</i> | | | |
| | 72 x 16 x 36 | 1800 x 400 x 900 | CANNN-E723616 | 839 |
| | 60 x 16 x 36 | 1500 x 400 x 900 | CANNN-E603616 | 804 |
| Sets of 4 doors for hutches  | <i>Hardware included.</i> | | | |
| | <i>For hutches with open back.</i> | | | |
| | 72 x 16 x 3/8 | 1800 x 400 x 16 | CANNN-EA72P4 | 352 |
| | 60 x 16 x 3/8 | 1500 x 400 x 16 | CANNN-EA60P4 | 336 |
| | <i>For hutches with closed back.</i> | | | |
| | 72 x 16 x 3/8 | 1800 x 400 x 16 | CANNN-E72P4 | 352 |
| | 60 x 16 x 3/8 | 1500 x 400 x 16 | CANNN-E60P4 | 336 |
| Sets of 2 doors for hutches  | <i>Hardware included.</i> | | | |
| | <i>For hutches with open back.</i> | | | |
| | 36 x 16 x 3/8 | 900 x 400 x 16 | CANNN-EA72P2 | 175 |
| | 30 x 16 x 3/8 | 750 x 400 x 16 | CANNN-EA60P2 | 166 |
| | <i>For hutches with closed back.</i> | | | |
| | 36 x 16 x 3/8 | 900 x 400 x 16 | CANNN-E72P2 | 175 |
| | 30 x 16 x 3/8 | 750 x 400 x 16 | CANNN-E60P2 | 166 |