

Office Doctor Discount Office Furniture

www.OfficeDr.com 856-368-9085

Groupe Lacasse Half Price Sale On Now

Take Half Off the List Prices in this PDF

Call 856-368-9085 Now

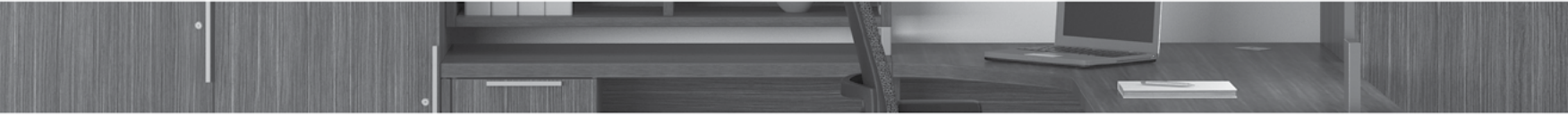
Free Layout & Design Service

C.I.T.E. Series



LACASSE

Office Furniture Solutions



C.I.T.É. > Price Book > USA > February 2025



OFFICE

FURNITURE

SOLUTIONS

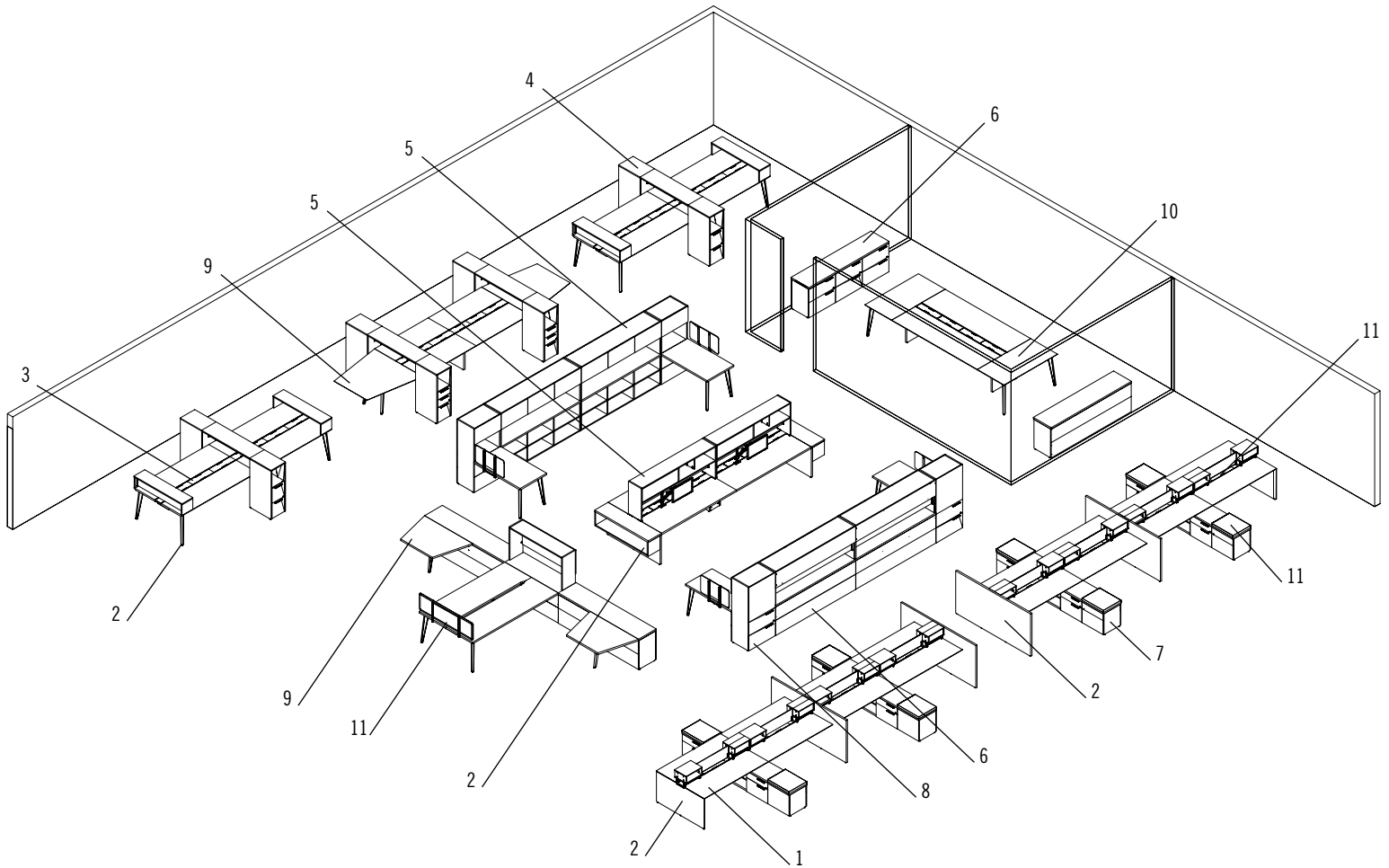


Best of NeoCon Gold Award Winner – Furniture Systems Category – June 2010

Best of NeoCon Gold Award Winner – Furniture Systems Enhancements Category – June 2015

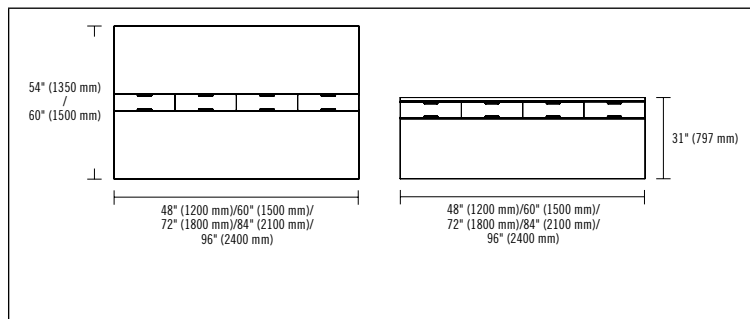
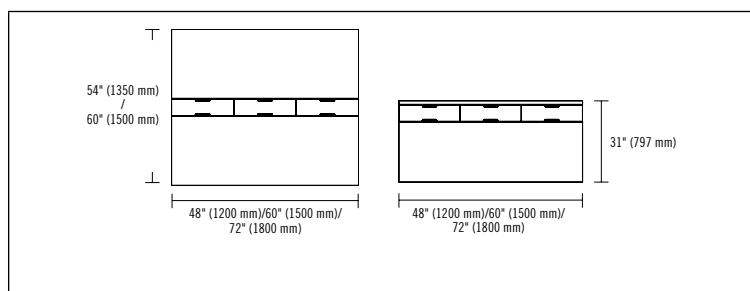
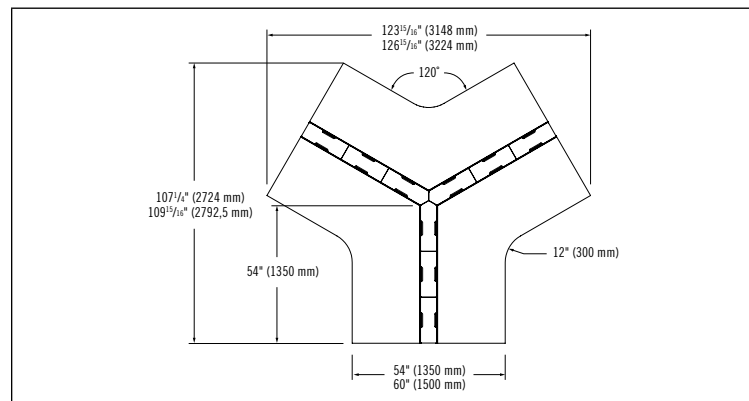
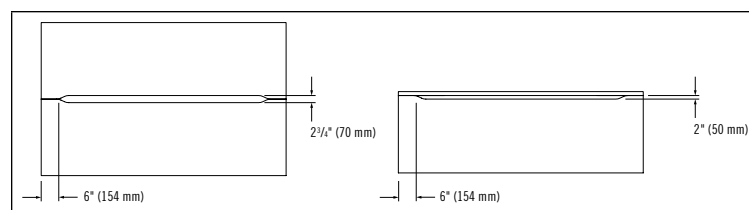
TABLE OF CONTENTS

SURFACES: / SINGLE-SIDED, DOUBLE-SIDED, 120° / WITH OR WITHOUT RACEWAY	3	ELECTRICITY	9
STORAGE MODULES: / HUTCHES / BOOKCASES / RAILS	6	EDGEBOARDING	11
BASES: / LATERAL / CENTER	7	C.I.T.É. FURNITURE SYSTEM	12
STORAGE BASE MODULES: / LATERAL / CENTER	8	SUGGESTIONS	29
ACCESSORIES: / PRIVACY, LATERAL AND SPACE END SCREENS / CUSHIONS	9		

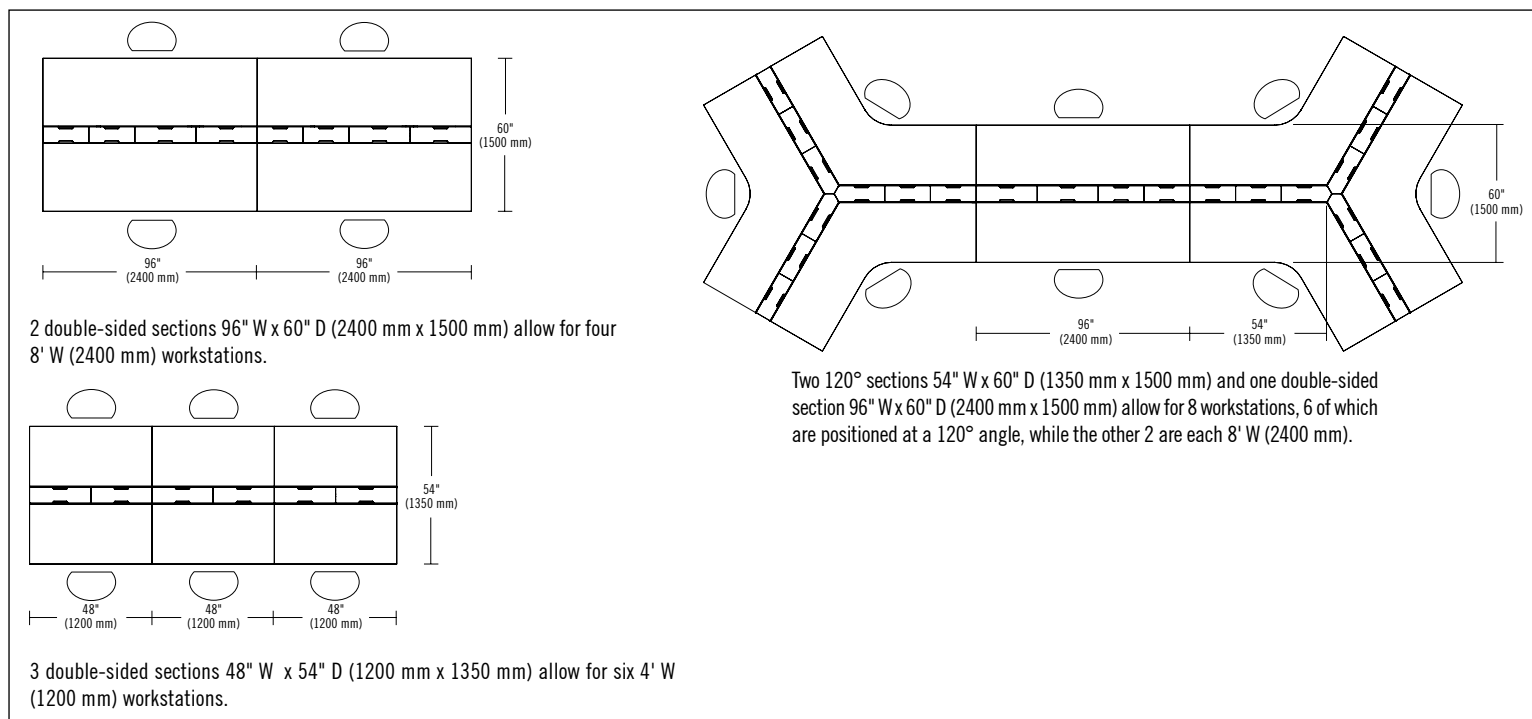


C.I.T.É. is an office furniture system designed to facilitate collaboration and interaction between users in a teamwork environment. The system offers tremendous flexibility in creating open-plan workstations while also meeting the privacy needs of individual users.

1. 1½"-thick (38 mm) surface with smooth edgebanding or knife-edge, and 1"-thick (25 mm) surface with smooth edgebanding.
2. Bases available in metal, laminate, laminate with acrylic insert and, in certain models, integrated storage modules.
3. Wire management raceways with translucent acrylic (T) covers.
4. Storage base modules can support surfaces and serve as divider panels to ensure privacy between users.
5. Hutches are available in 3 different versions, respectively compatible with single-sided surfaces, double-sided surfaces, and 29"-tall (757 mm) storage modules.
6. Storage modules 29" (757 mm) tall, for individual or shared use, offered in several combinations of utility drawers, filing drawers and open compartments.
7. Storage modules 21" (561 mm) tall, for individual or shared use, offered in several combinations of utility drawers, filing drawers and open compartments.
8. Return surfaces and return surfaces combined with storage modules are compatible with mobile pedestals, modesty panels and end screens.
9. Trapezoidal extension surfaces, compatible with double-sided surfaces and storage bases, enable the creation of collaborative work spaces.
10. Rectangular extension surfaces, compatible with double-sided surfaces, enable the creation of workstations or collaborative work spaces.
11. A range of accessories, such as end screens, divider panels, storage modules, accessory rails, surface electrical modules and cushions for 21"-tall (561 mm) storage modules.

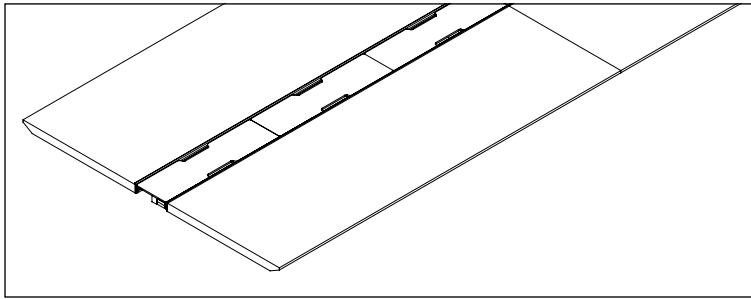
SURFACES: / SINGLE-SIDED - DOUBLE-SIDED - 120°, EXTENSION SURFACES AND RETURN SURFACES
SINGLE-SIDED, DOUBLE-SIDED, 120°, WITH OR WITHOUT RACEWAY
Rectangular surfaces, 1½" (38 mm)

Rectangular surfaces, 1" (25 mm)

120° surfaces, 1½" or 1" (38 mm or 25 mm)

Surfaces without raceway, 1½" or 1" (38 mm or 25 mm)

SINGLE-SIDED, DOUBLE-SIDED OR 120° SURFACES, WITH OR WITHOUT RACEWAY

- Wire management raceways come with acrylic covers.
- Surface usages: For double-sided surfaces, it is allowed to join 2 sections (16' max.) together when the center base is LBD1212 and up to 3 sections (24' max.) if the center base is LCD2828. There are no restrictions on length or number of sections when other center bases are used. For single surfaces, it is allowed to join 2 sections (16' max.) together.
- Surfaces that include a wire management raceway are equipped with communication plates: 2 for double-sided surfaces, 1 for single-sided surfaces, and 3 for 120° surfaces.
- Surfaces without a raceway are available when projected use does not require the integration of an electrical management system into the surface. This can result in more competitively priced workstations.
- Additional plates (LGC-COM) may be ordered.

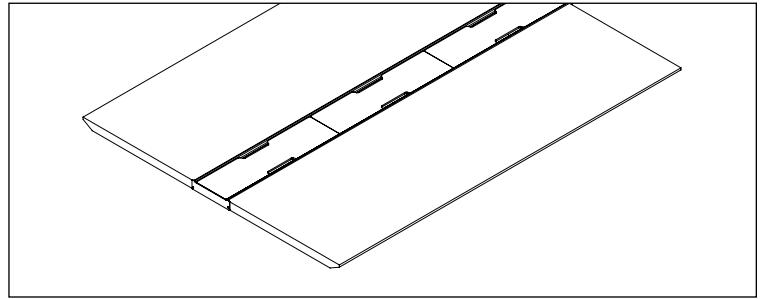
Examples of workstations:


SURFACES WITH KNIFE-EDGE:

Continuous knife-edge for connecting two surfaces:

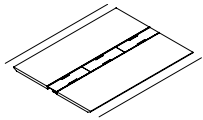


Flat edgebanding along surface edges:

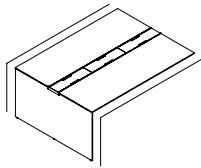


LOCATION OF KNIFE-EDGE DETAILING:

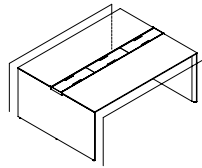
Double-sided surfaces:



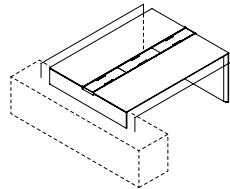
C_KNS-RCD_ _ _ _



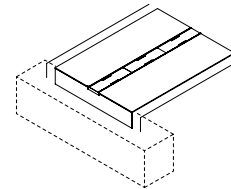
C_KNS-RCD_ _ _ _ RA



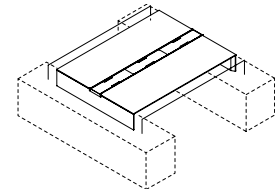
C_KNS-RCD_ _ _ _ A



C_KNS-RCD_ _ _ _ B

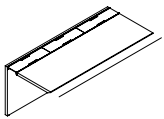


C_KNS-RCD_ _ _ _ RC

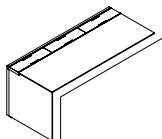


C_KNS-RCD_ _ _ _ C

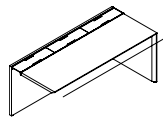
Single-sided surfaces:



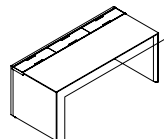
C_KNS-RCS_ _ _ _



C_KNS-RCS_ _ _ _ RAL

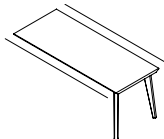


C_KNS-RCS_ _ _ _ RAR

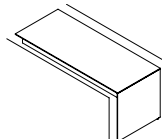


C_KNS-RCS_ _ _ _ A

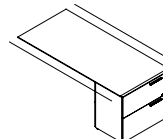
Return surfaces:



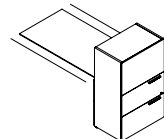
C_KN-R_ _ _ _ A



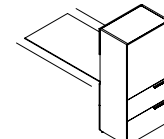
C_KNN-R_ _ _ _ S



C_K_ _-R_ _ _ _ ELUF
C_K_ _-R_ _ _ _ ELF
C_K_ _-R_ _ _ _ UF

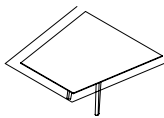


C_K_ _-R_ _ _ _ 48ELUF
C_K_ _-R_ _ _ _ 48ELF
C_K_ _-R_ _ _ _ 48UF

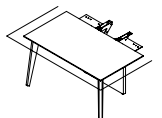


C_K_ _-R_ _ _ _ 61ELUF
C_K_ _-R_ _ _ _ 61ELF
C_K_ _-R_ _ _ _ 61UF

Extension surfaces:



C_KN-CEA_ _ _ _

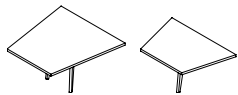
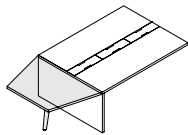
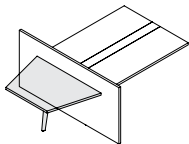
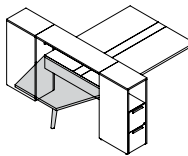
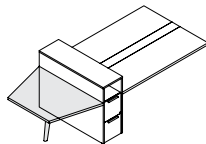
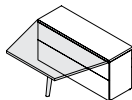

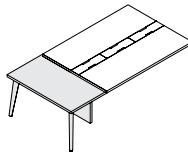


C_KN-CE_ _ _ _

Surfaces with knife-edge are compatible with all bases. Laminate bases with knife-edge are available with integrated surfaces that also have knife-edge (e.g.: C_KNS-RCD_ _ _ _ RA).

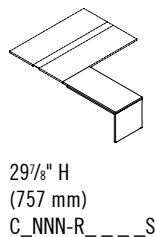
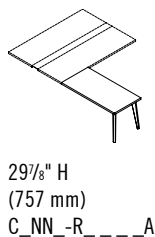
Extension surfaces enable knife-edge on all edges visible along a workstation's contour.

EXTENSION SURFACES

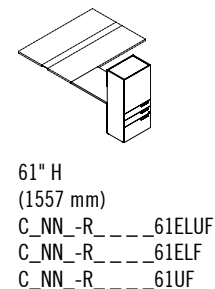
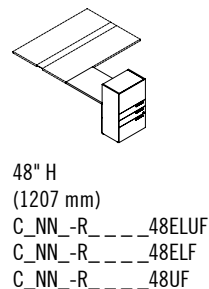
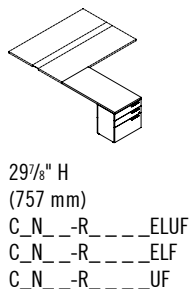
Compatibility of extension surfaces:	Surface	Center panel base	Storage center base module	Storage center base module	Credenza 29 ⁷ / ₈ " (757 mm)
Trapezoidal extension  C_NN_CEA_____	 C_NNS-RCD_____ CNNNS-LED_____	 CNNNS-LED9042 CNNNS-LED8442	 C_N__-PRCT__48__UF C_N__-PRCT__48__EFF C_N__-PRCT__48__FM	 C_N__-CRC__41__EUF C_N__-CRC__41__EFF	 C_N__-LUF____LUF C_N__-LF____LF C_N_N-S____S C_N__-____LUF C_N__-____LF C_N_N-____S
Rectangular extension  C_NN_CE_____	Surface  C_NNS-RCD_____	TRAPEZOIDAL AND RECTANGULAR EXTENSIONS: <ul style="list-style-type: none"> • Compatible with all double-sided surfaces. • Enable the creation of a conference table or a meeting space, at one end of a work surface. • Base included. • Trapezoidal extension surfaces are also compatible with 41"-tall (1042 mm) center panel bases for double-sided surfaces; storage center bases for double-sided surfaces; and 29"-tall (757 mm) credenzas. 			

RETURN SURFACES

Return surfaces

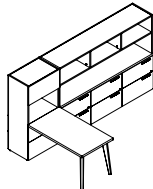


Combination return surface and storage module



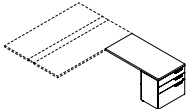
Surfaces 1¹/₂"-thick (38 mm) with smooth edgebanding or knife-edge, and surfaces 1" (25 mm) thick with smooth edgebanding.

Examples of workstations:

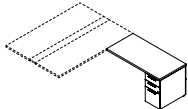


This type of return surface can be combined with 29" (757 mm) storage modules, as well as with hutches, to create 61"-tall (1557 mm) partitions for dividing an open space into several distinct areas.

- Can receive a mobile pedestal.
- C_NNN-R_____S and C_KNN-R_____S return surfaces integrating a laminate base are equipped with a 6"-tall (150 mm) reversible modesty panel.



DRAWERS OPEN AT THE END
C_N__-R_____ELUF
C_N__-R_____ELF



DRAWERS OPEN ON THE SIDE
C_N__-R_____UF

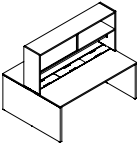
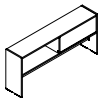
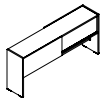
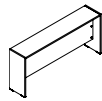
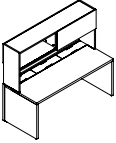
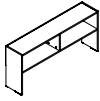
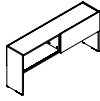
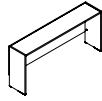
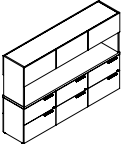
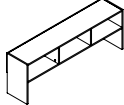
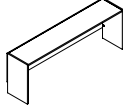
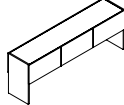
Return surfaces that combine a surface and a storage module are available with drawers located at the end of the surface, that open toward the end or onto the side.

- Return surfaces that combine a surface and a storage module are available in heights of 29" (757 mm), 48" (1207 mm) or 61" (1557 mm).



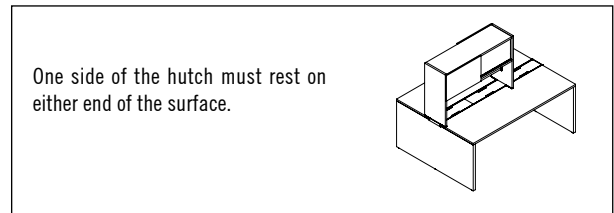
STORAGE MODULES: / HUTCHES / BOOKCASES / RAILS

HUTCHES

Hutch models	Open	Sliding door(s)	Divider	Flip-up door(s)
Double-sided surfaces 				
Single-sided surfaces 				
29 ⁷ / ₈ " (757 mm) storage modules 				

- Mid-rise back available in translucent acrylic (T), except for divider hutches.
- A divider hutch can hold a tackboard.
- 32" (800 mm) tall.

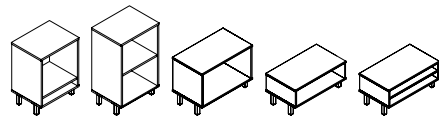
Example of proper hutch positioning:



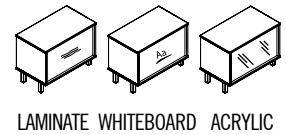
SURFACE STORAGE MODULES

- Made of 5/8" (16 mm) laminate. Legs made of anodized aluminum, 4" (100 mm) tall.
- Laminate back, in translucent acrylic (T) or in a whiteboard version for erasable markers. Can hold a tackboard.
- Enable a space to be divided up, and are designed to be placed above the wire management raceway.
- Height: 11" (285 mm), 18" (450 mm), 24" (610 mm) or 30" (762 mm).

Models:

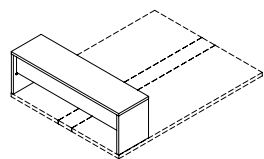


Choice of back:



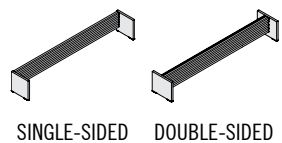
SURFACE COUNTERS

- Surface counter installs at the end or at the center of a double-sided surface.
- Counter height enables a space to be divided up and the creation of areas suitable for quick meetings.
- Made of 1"-thick (25 mm) laminate.
- Back made of translucent acrylic (T) held by metal ties, Silver color (ARS).
- Height: 11" (285 mm) or 18" (450 mm).



ACCESSORY RAILS

- Accessory rails are available in single- or double-sided versions.
- Compatible with metal accessories.
- Enable the space between two workstations to be divided up.
- Designed to be positioned above the wire management raceway.
- Made of laminate, with aluminum rail and Silver finish.
- Height: 11" (285 mm).



BASES: LATERAL / CENTER
LATERAL BASES

Compatibility of lateral bases:		Montréal* Metal	Chicago** Metal	New York*** Acrylic / Laminate	Panel Laminate	Storage module panel Laminate	Storage module Laminate
Double-sided surface	C_NNS-RCD_ _ _ _ 	CNNN_-ABD_ _ _ 	CNNN_-QBD_ _ _ 	CNNS-CBD_ _ _ 	CNNS-LED_ _28 CNNS-LED_ _41 	CNNS-LED_ _06 CNNS-LED_ _19 	C_N_S_N-EXR_ _29_ _ C_N_S_N-EXR_ _41_ _
120° surface	C_NNS-TCAD_ _ _ _ 	CNNN_-ABD_ _ _ 	CNNN_-QBD_ _ _ 	CNNS-CBD_ _ _ 	CNNS-LED_ _28 	CNNS-LED_ _06 	C_N_S-EXR_ _29_ _ C_N_S-EXR_ _41_ _
Single-sided surface	C_NNS-RCS_ _ _ _ 	CNNN_-ABS30_ _ _ 	CNNN_-QBS30_ _ _ 	CNNS-CBS_ _30_ _ 	CNNS-LES_ _28 CNNS-LES_ _41 		
Return surfaces	C_NN_-R_ _ _ _ 	CNNN_-AB_ _ _ 					

Montréal* and Chicago metal bases:**

- Available with Silver (S) or White (W) finish.
- 1 base required for each end of a table.
- Reversible for double-sided surfaces.
- Montréal base for single-sided surfaces is available in Left (L) or Right (R) models.

New York* translucent acrylic base:**

- 1½"-thick (38 mm) laminate contour.
- Choice of translucent acrylic insert (T).
- Also available with laminate insert.
- 5/16" (8 mm) spacers.
- 6"-wide (150 mm) laminate contour.
- 1 base required for each end of a table.
- Reversible.

Laminate panel bases:

- 1½"-thick (38 mm) laminate panel.
- 5/16" (8 mm) spacers.
- Cantilevers included with lateral panel bases.
- 1 base required for each end of a table.
- Panel bases on storage modules must entirely rest on a 21" (561 mm) storage module.
- Reversible for double-sided surfaces.

CENTER BASES

Compatibility of center bases:		Wire management Laminate	Panel Laminate	Panel on storage module Laminate
Double-sided surface	C_NNS-RCD_ _ _ _ 	CNNS-LBD1212WM 	CNNS-LCD2828 CNNS-LCD_ _41 	CNNS-LCD2806 CNNS-LCD_ _19
Single-sided surface	C_NNS-RCS_ _ _ _ 	CNNS-LBS912WM 	CNNS-LCS1728 CNNS-LCS4641 	

Center bases:

- Center panel base version with minimum 13" (330 mm) clearance on either side for legs. Cantilevers and connecting plates included.
- Wire management base in laminate; simple- or double-sided. Cantilevers included.

STORAGE BASE MODULES: / LATERAL / CENTER / OTHER LOW STORAGE MODULES

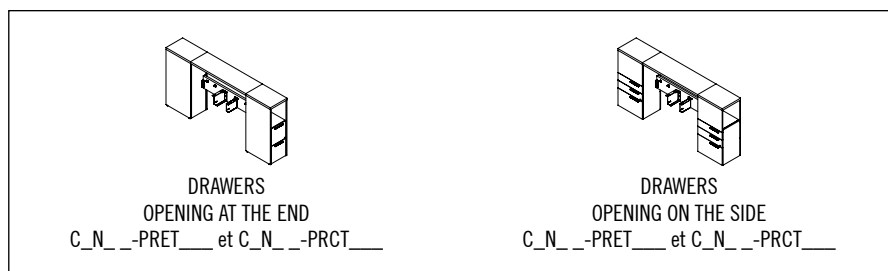
STORAGE BASE MODULES

Compatibility of storage base modules:

	Surface	2 surfaces	Surface and extension
Lateral: C_N__-PRET____			
C_N__-CRE____			
Center : C_N__-PRCT____			
C_N__-CRC____			

- C_N__-PRET____ and C_N__-PRCT____ products are available in 2 versions: with drawers opening at the end of the module or with drawers opening on the side of the module.

Examples of workstations:



Specifications:

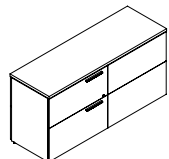
Storage bases serve to support double-sided surfaces, divide a space between users, and make possible several storage combinations. Center models are used at the junction of two surface sections, while lateral models complete a workstation at the end of a bench run.

- Mid-rise back available in translucent acrylic (T) for C_N__-PRET____ and C_N__-PRCT____ products.
- Cantilevers are included with all storage bases.
- Center models are also compatible with trapezoidal extension surfaces in order to create an area conducive to meetings.

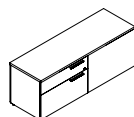
- C_N__-CRE____ and C_N__-CRC____ products are equipped with a wire management raceway that enables electric cables to be run from the floor to the surface.

STORAGE MODULE

STORAGE UNIT 29 7/8" (757 mm) OR STORAGE UNIT 29 3/8" (745 mm):



Storage module 21" (561 mm) :

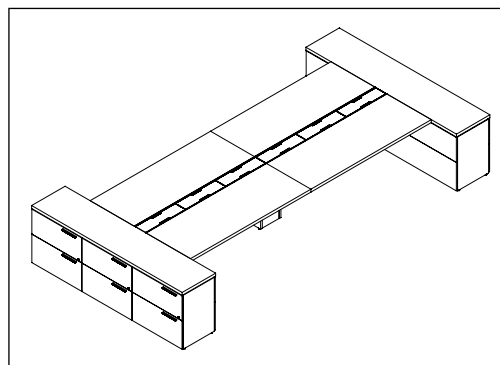


STORAGE MODULES:

- Top thickness: 1 1/2" (38 mm) or 1" (25 mm).
- Several drawer configurations available.
- Individual- or shared-use modules.
- Height: 21" (561 mm), 29 7/8" (757 mm) or 29 3/8" (745 mm).
- 29 7/8"- (757 mm) or 29 3/8"-tall (745 mm) storage modules may be joined to a double-sided surface, resting on the module back, using a set of surface support ties for storage modules (CNNNS-SURFCO). This set of supports must be ordered separately.

STORAGE MODULE 29 7/8" (757 mm) OR 29 3/8" (745 mm) ATTACHED TO A DOUBLE-SIDED SURFACE, USING A SET OF SURFACE SUPPORT TIES FOR STORAGE MODULES (CNNNS-SURFCO):

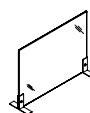
Example of a workstation:



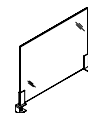
ACCESSORIES: / PRIVACY, LATERAL AND SPACE END SCREENS / CUSHIONS

PRIVACY AND LATERAL SCREENS

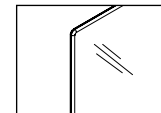
- Lateral and center dividing screens are available in 1/4"-thick (6 mm) acrylic, in 3/4"-thick (19 mm) fabric or in 1/2"-thick (12 mm) felt to establish individual work spaces.
- Choice of colors for translucent acrylic, United Chair® fabrics, and felt.
- Height: 11" (285 mm) or 18" (450 mm).



DIVIDERS



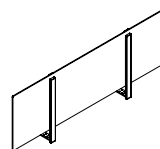
LATERAL



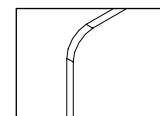
PRIVACY, LATERAL AND SPACE END SCREENS

END SCREENS

- End dividing screens are available in 1/4"-thick (6 mm) acrylic, in 3/4"-thick (19 mm) fabric or in 1/2"-thick (12 mm) felt to establish individual work spaces, from the adjacent corridor to the surface.
- Choice of colors for translucent acrylic, United Chair® fabrics, and felt. (Refer to color chart.)
- Metallic base sold separately. Enables a felt end screen to be turned into a tackboard.
- Height: 18" (450 mm).



END

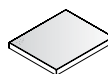


FELT END SCREENS

ACCESSORIES: / CUSHIONS

CUSHIONS:

- 21"-tall (561 mm) storage modules are compatible with all cushion models, except product C_N_N_N_N-CU1518, which is reserved for mobile pedestal C_N__-MP1518F.
- 1 3/8"-thick (35 mm) foam.
- Choice of United Chair® fabrics.
- Comply with *Cal. 117* standard.

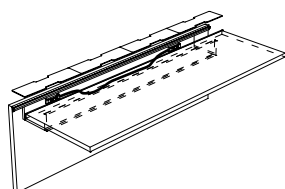


ELECTRICITY: / CHARACTERISTICS / ELECTRICAL POWER FEED

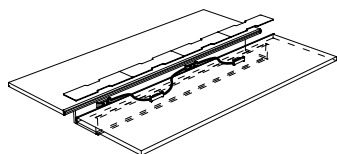
CHARACTERISTICS OF THE ELECTRICAL SYSTEM

- 4 wires, 2 circuits, 20 Amps each.
- 13 double electric power outlets per circuit. Maximum of 26 double outlets of 15 Amps per power source.
- Easy to adapt, install and reconfigure.
- UL-classified wiring system.
- Cradle-to-cradle compliance with RoHS standard, available upon request.
- For installation in wire management raceways.
- Functions in all regions except Chicago and New York.
- Manufactured wiring systems are not authorized in Chicago or New York.
- So simple: just 4 different kits deliver electrical power to all single-sided, double-sided or 120° work surfaces.

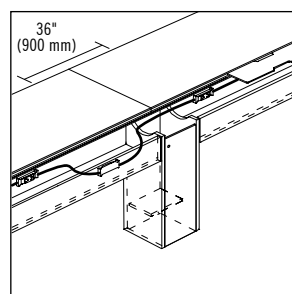
HOW TO SPECIFY:



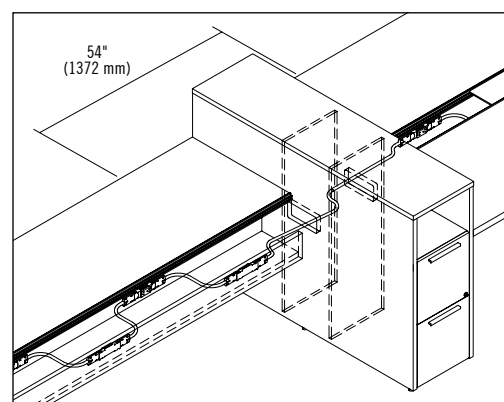
RCST3196 with LGC-4TRAC296C1



RCST6084 with LGC-4TRAC496C2



LGC-PASS36



LGC-PASS54

STEP 1

Determine the number of users.

STEP 2

Determine each user's electrical power needs (1 or 2 double outlets per workstation meet most needs). Choose one of the 4 kits available.

Each kit must be ordered according to the surface length and the number of double outlets required.

STEP 3

Determine whether 1 or 2 circuits are required, and order the number of kits needed. The kits are comprised of double outlets and cables. Each kit includes the hardware required to attach the cables to the wire management raceway.

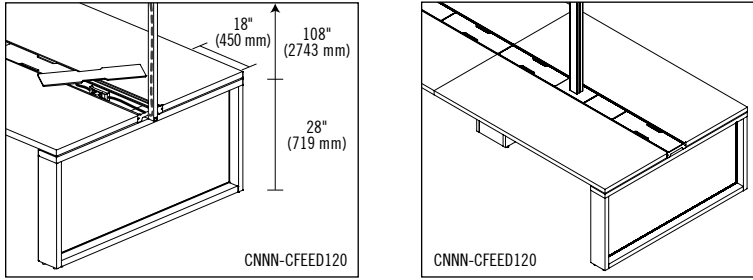
STEP 4

Each added surface must be connected to the adjacent surface with connecting cable LGC-PASS36, except for those arrangements where a C_N__-CRC___ storage base is integrated between two surfaces; the latter must be connected with cable LGC-PASS54.

ELECTRICAL INFEED

There are a number of ways for bringing electrical power to surfaces, namely from a power source located in the floor, in a wall or in the ceiling.

Infeed from ceiling:



Power feed is plugged at one end of the piece of furniture or at any point along the top of the raceway. To this end, a 120"-tall (3000 mm) column is supplied, with the appropriate hardware.

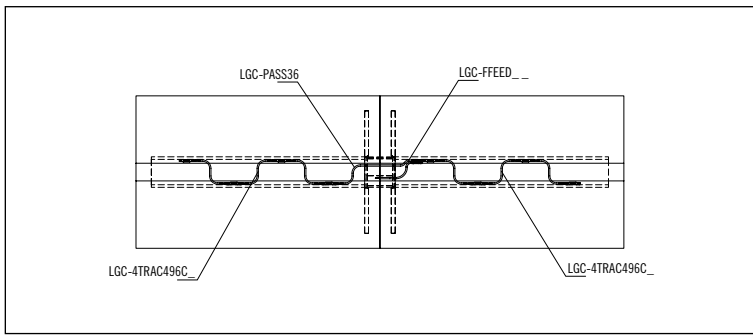
The cable is 132" (3353 mm) long, assuming the piece of furniture is 29⁷/₈" (757 mm) tall and that the first double power outlet is located 18" (450 mm) from the surface edge.

A contact plate may be installed along the wire management raceway's aluminum rails, and it can accommodate up to 4 connections.

Adapters are included.

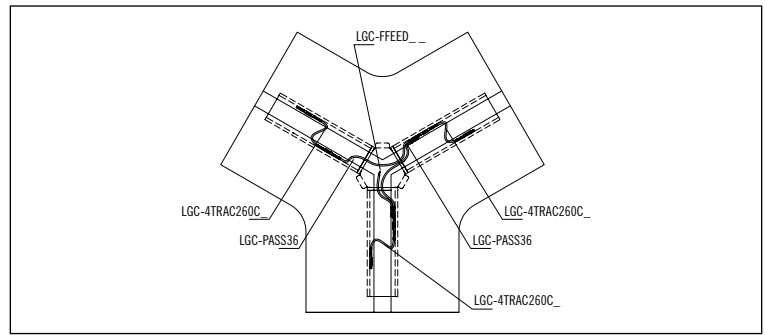
Examples of electrical specifications:

Rectangular surfaces:



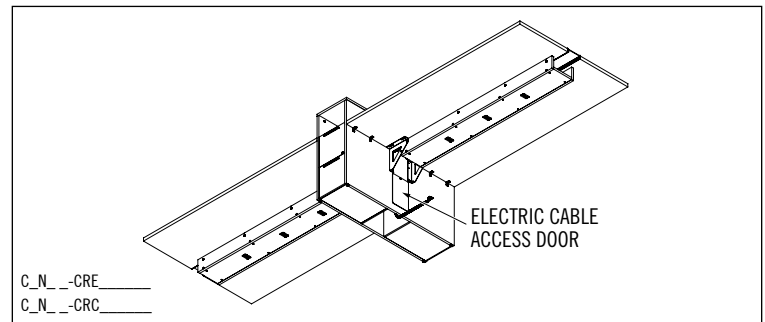
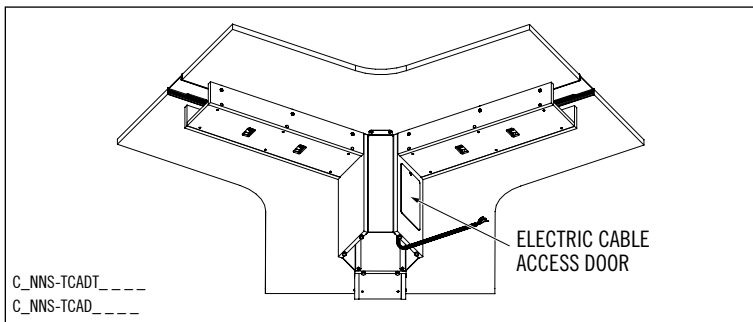
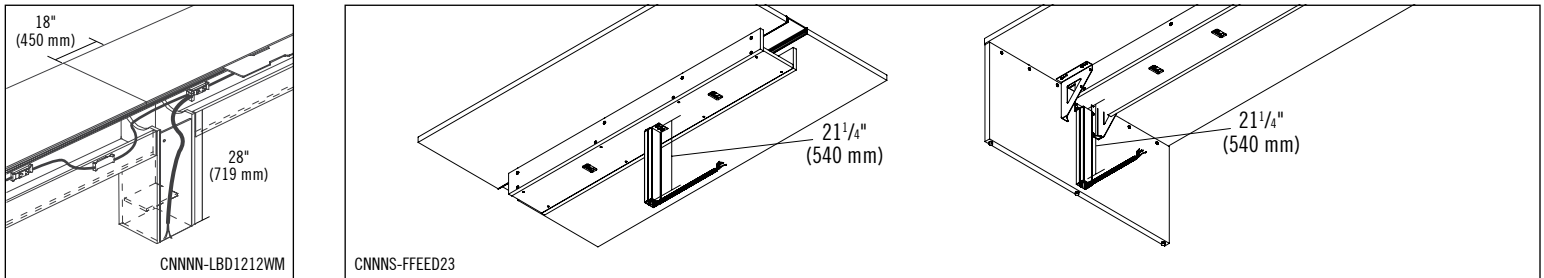
Two double-sided surfaces 60" D x 96" W (1500 mm x 2400 mm) are connected to an electric power source by the sequence of components shown in the diagram above.

120° surfaces:



120° surfaces 54" D x 60" W (1350 mm x 1500 mm) are connected to an electric power source by the sequence of components shown in the diagram above.

Infeed from floor:



The installation of the electrical feed must be carried out by a professional electrician.

Cables for floor infeed are available in lengths of 60" (1524 mm) or 72" (1829 mm), assuming the piece of furniture is 29⁷/₈" (757 mm) tall and that the first duplex is located 18" (450 mm) from the surface edge.

The center base with wire management raceway (CNNNS-LBD1212WM or CNNNS-LBS912WM) is equipped with a lockable door.

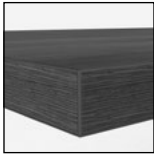
Power can be fed to: the end of the work surface; the center, thanks to the wire management raceway; the storage base equipped with a wire management raceway (C_N-CRE and C_N-CRC); the base of the 120° surface; or from any location beneath the raceway, using FFEED23 products, when the power source is in the floor.

Each electrical panel can feed 2 circuits comprising a maximum of 26 double outlets (13 per circuit).

EDGEBANDING:

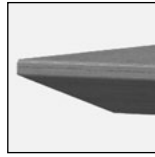
Automatically applied to the top and the sides.

N Edge



1" and 1½"
(25 mm and 38 mm)
N edgebanding matches the finish specified for the surface.

K Knife Edge



1½" (38 mm)
K knife-edge available (in coordinated colors) ONLY when a wood grain or Snow (SNO) finish is specified for the surface.

CODIFICATION

Series	Thickness	Options		
		Edgebanding	High-Gloss accent	Accent
C	1 Thermofused laminate 1" (25 mm)	N Smooth edge K Knife-edge	W High-Gloss White	S Silver W White
	2 High-pressure laminate 1" (25 mm)			
	5 Thermofused laminate 1½" (38 mm)			
	6 High-pressure laminate 1½" (38 mm)			

METAL BASES:

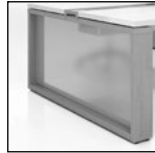
S – Silver or W – White



Montréal Base



Chicago Base



New York Base

LAMINATE OR LAMINATE/ ACRYLIC BASES:



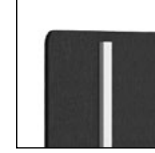
SCREENS / LATERAL SCREENS:

Acrylic



T – Translucent

Felt



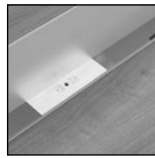
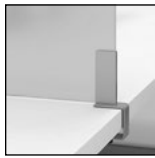
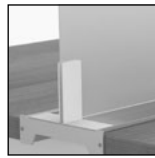
Several colors available.

Fabric

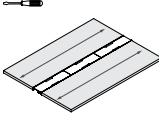
Several fabrics available. Refer to United Chair®'s fabric swatch cards.

SCREEN SUPPORTS, HANDLE, SURFACE ELECTRICAL MODULE:

S – Silver or W – White



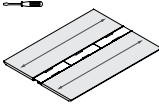


	W x D x H (in)	W x D x H (mm)	Code	All Laminate (\$)	HPL Surfaces (\$)
Double-sided surfaces with raceway	<i>Double-sided surfaces with wire management raceway. Translucent acrylic channel covers. 2 LGC-COM included. 1 tone only.</i>				
	72 x 60 x 1	1800 x 1500 x 25	C_NNS-RCDT6072	2,141	2,537
	60 x 60 x 1	1500 x 1500 x 25	C_NNS-RCDT6060	1,895	2,299
	48 x 60 x 1	1200 x 1500 x 25	C_NNS-RCDT6048	1,660	2,055
	72 x 54 x 1	1800 x 1350 x 25	C_NNS-RCDT5472	2,031	2,450
96" to 84"	60 x 54 x 1	1500 x 1350 x 25	C_NNS-RCDT5460	1,801	2,229
Packaged in 2 boxes.	48 x 54 x 1	1200 x 1350 x 25	C_NNS-RCDT5448	1,574	1,992

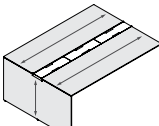
Specify the surface type (1, 2).

	96 x 60 x 1 1/2	2400 x 1500 x 38	C_NNS-RCDT6096	3,201	3,839
	84 x 60 x 1 1/2	2100 x 1500 x 38	C_NNS-RCDT6084	2,909	3,477
	72 x 60 x 1 1/2	1800 x 1500 x 38	C_NNS-RCDT6072	2,623	3,153
	60 x 60 x 1 1/2	1500 x 1500 x 38	C_NNS-RCDT6060	2,355	2,822
	48 x 60 x 1 1/2	1200 x 1500 x 38	C_NNS-RCDT6048	2,117	2,551
	96 x 54 x 1 1/2	2400 x 1350 x 38	C_NNS-RCDT5496	3,119	3,744
	84 x 54 x 1 1/2	2100 x 1350 x 38	C_NNS-RCDT5484	2,835	3,407
	72 x 54 x 1 1/2	1800 x 1350 x 38	C_NNS-RCDT5472	2,562	3,065
	60 x 54 x 1 1/2	1500 x 1350 x 38	C_NNS-RCDT5460	2,299	2,757
	48 x 54 x 1 1/2	1200 x 1350 x 38	C_NNS-RCDT5448	2,078	2,482

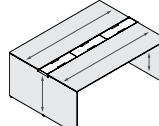
Specify the surface type (5, 6).

	W x D x H (in)	W x D x H (mm)	Code	All Laminate (\$)	HPL Surfaces (\$)
Double-sided surfaces with raceway and knife edge	<i>Double-sided surfaces with wire management raceway. Knife edge. Translucent acrylic channel covers. 2 LGC-COM included. 1 tone only.</i>				
	96 x 60 x 1 1/2	2400 x 1500 x 38	C_KNS-RCDT6096	3,634	4,077
	84 x 60 x 1 1/2	2100 x 1500 x 38	C_KNS-RCDT6084	3,407	3,778
	72 x 60 x 1 1/2	1800 x 1500 x 38	C_KNS-RCDT6072	3,106	3,414
	60 x 60 x 1 1/2	1500 x 1500 x 38	C_KNS-RCDT6060	2,866	3,114
	48 x 60 x 1 1/2	1200 x 1500 x 38	C_KNS-RCDT6048	2,640	2,812
96" to 84"	96 x 54 x 1 1/2	2400 x 1350 x 38	C_KNS-RCDT5496	3,492	3,927
Packaged in 2 boxes.	84 x 54 x 1 1/2	2100 x 1350 x 38	C_KNS-RCDT5484	3,271	3,643
	72 x 54 x 1 1/2	1800 x 1350 x 38	C_KNS-RCDT5472	2,986	3,304
	60 x 54 x 1 1/2	1500 x 1350 x 38	C_KNS-RCDT5460	2,768	3,018
	48 x 54 x 1 1/2	1200 x 1350 x 38	C_KNS-RCDT5448	2,543	2,733

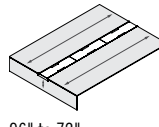
Specify the surface type (5, 6).

	W x D x H (in)	W x D x H (mm)	Code	All Laminate (\$)	HPL Surfaces (\$)
Double-sided surfaces with raceway and knife edge	<i>Double-sided surfaces with wire management raceway. Knife edge. Translucent acrylic channel covers. 1 full leg with knife edge included. 2 LGC-COM included. 1 tone only.</i>				
	96 x 60 x 29 7/8	2400 x 1500 x 757	C_KNS-RCDT6096RA	4,527	5,160
	84 x 60 x 29 7/8	2100 x 1500 x 757	C_KNS-RCDT6084RA	4,299	4,858
	72 x 60 x 29 7/8	1800 x 1500 x 757	C_KNS-RCDT6072RA	4,071	4,551
	60 x 60 x 29 7/8	1500 x 1500 x 757	C_KNS-RCDT6060RA	3,833	4,242
	48 x 60 x 29 7/8	1200 x 1500 x 757	C_KNS-RCDT6048RA	3,604	3,936
	96 x 54 x 29 7/8	2400 x 1350 x 757	C_KNS-RCDT5496RA	4,440	5,009
Packaged in 2 boxes.	84 x 54 x 29 7/8	2100 x 1350 x 757	C_KNS-RCDT5484RA	4,210	4,716
	72 x 54 x 29 7/8	1800 x 1350 x 757	C_KNS-RCDT5472RA	3,989	4,425
	60 x 54 x 29 7/8	1500 x 1350 x 757	C_KNS-RCDT5460RA	3,769	4,140
	48 x 54 x 29 7/8	1200 x 1350 x 757	C_KNS-RCDT5448RA	3,539	3,845

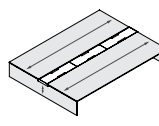
Specify the surface type (5, 6).

	W x D x H (in)	W x D x H (mm)	Code	All Laminate (\$)	HPL Surfaces (\$)
Double-sided surfaces with raceway and knife edge	<i>Double-sided surfaces with wire management raceway. Knife edge. Translucent acrylic channel covers. 2 full legs with knife edge included. 2 LGC-COM included. 1 tone only.</i>				
	96 x 60 x 29 7/8	2400 x 1500 x 757	C_KNS-RCDT6096A	5,641	6,266
	84 x 60 x 29 7/8	2100 x 1500 x 757	C_KNS-RCDT6084A	5,420	5,980
	72 x 60 x 29 7/8	1800 x 1500 x 757	C_KNS-RCDT6072A	5,208	5,697
	60 x 60 x 29 7/8	1500 x 1500 x 757	C_KNS-RCDT6060A	4,995	5,412
	48 x 60 x 29 7/8	1200 x 1500 x 757	C_KNS-RCDT6048A	4,779	5,119
Packaged in 2 boxes.	96 x 54 x 29 7/8	2400 x 1350 x 757	C_KNS-RCDT5496A	5,515	6,085
	84 x 54 x 29 7/8	2100 x 1350 x 757	C_KNS-RCDT5484A	5,310	5,808
	72 x 54 x 29 7/8	1800 x 1350 x 757	C_KNS-RCDT5472A	5,105	5,538
	60 x 54 x 29 7/8	1500 x 1350 x 757	C_KNS-RCDT5460A	4,892	5,271
	48 x 54 x 29 7/8	1200 x 1350 x 757	C_KNS-RCDT5448A	4,686	5,002

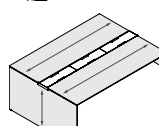
Specify the surface type (5, 6).

	W x D x H (in)	W x D x H (mm)	Code	All Laminate (\$)	HPL Surfaces (\$)
Double-sided surfaces with raceway and knife edge	<i>Double-sided surfaces with wire management raceway. Knife edge. Translucent acrylic channel covers. 1 small leg with knife edge included to be supported by low storage module. 2 LGC-COM included. 1 tone only.</i>				
	96 x 60 x 8	2400 x 1500 x 196	C_KNS-RCDT6096RC	4,314	4,941
	84 x 60 x 8	2100 x 1500 x 196	C_KNS-RCDT6084RC	4,085	4,638
	72 x 60 x 8	1800 x 1500 x 196	C_KNS-RCDT6072RC	3,857	4,331
	60 x 60 x 8	1500 x 1500 x 196	C_KNS-RCDT6060RC	3,626	4,030
	48 x 60 x 8	1200 x 1500 x 196	C_KNS-RCDT6048RC	3,397	3,729
96" to 72"	96 x 54 x 8	2400 x 1350 x 196	C_KNS-RCDT5496RC	4,242	4,796
Packaged in 2 boxes.	84 x 54 x 8	2100 x 1350 x 196	C_KNS-RCDT5484RC	4,022	4,512
	72 x 54 x 8	1800 x 1350 x 196	C_KNS-RCDT5472RC	3,801	4,227
	60 x 54 x 8	1500 x 1350 x 196	C_KNS-RCDT5460RC	3,579	3,936
	48 x 54 x 8	1200 x 1350 x 196	C_KNS-RCDT5448RC	3,359	3,649

Specify the surface type (5, 6).

	W x D x H (in)	W x D x H (mm)	Code	All Laminate (\$)	HPL Surfaces (\$)
Double-sided surfaces with raceway and knife edge	<i>Double-sided surfaces with wire management raceway. Knife edge. Translucent acrylic channel covers. 2 small legs with knife edge included to be supported by low storage modules. 2 LGC-COM included. 1 tone only.</i>				
	96 x 60 x 8	2400 x 1500 x 196	C_KNS-RCDT6096C	5,387	6,028
	84 x 60 x 8	2100 x 1500 x 196	C_KNS-RCDT6084C	5,173	5,737
	72 x 60 x 8	1800 x 1500 x 196	C_KNS-RCDT6072C	4,954	5,444
	60 x 60 x 8	1500 x 1500 x 196	C_KNS-RCDT6060C	4,733	5,154
	48 x 60 x 8	1200 x 1500 x 196	C_KNS-RCDT6048C	4,520	4,867
	96 x 54 x 8	2400 x 1350 x 196	C_KNS-RCDT5496C	5,295	5,862
Packaged in 2 boxes.	84 x 54 x 8	2100 x 1350 x 196	C_KNS-RCDT5484C	5,079	5,587
	72 x 54 x 8	1800 x 1350 x 196	C_KNS-RCDT5472C	4,874	5,310
	60 x 54 x 8	1500 x 1350 x 196	C_KNS-RCDT5460C	4,662	5,041
	48 x 54 x 8	1200 x 1350 x 196	C_KNS-RCDT5448C	4,449	4,763

Specify the surface type (5, 6).

	W x D x H (in)	W x D x H (mm)	Code	All Laminate (\$)	HPL Surfaces (\$)
Double-sided surfaces with raceway and knife edge	<i>Double-sided surfaces with wire management raceway. Knife edge. Translucent acrylic channel covers. 1 full leg and 1 small leg with knife edge included to be supported by low storage module. 2 LGC-COM included. 1 tone only.</i>				
	96 x 60 x 29 7/8	2400 x 1500 x 757	C_KNS-RCDT6096B	5,538	6,177
	84 x 60 x 29 7/8	2100 x 1500 x 757	C_KNS-RCDT6084B	5,318	5,887
	72 x 60 x 29 7/8	1800 x 1500 x 757	C_KNS-RCDT6072B	5,096	5,594
	60 x 60 x 29 7/8	1500 x 1500 x 757	C_KNS-RCDT6060B	4,882	5,304
	48 x 60 x 29 7/8	1200 x 1500 x 757	C_KNS-RCDT6048B	4,662	5,009

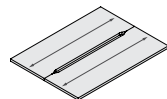
Packaged in 2 boxes.

2-TONE LAMINATE APPLICATION: SHADED AREA CORRESPONDS TO THE FIRST CODE TO BE SPECIFIED. SECOND LAMINATE CODE WILL BE APPLIED TO THE REST OF THE PRODUCT.



	W x D x H (in)	W x D x H (mm)	Code	All Laminate (\$)	HPL Surfaces (\$)
Double-sided surfaces with raceway and knife edge (cont'd)	96 x 54 x 29 ⁷ / ₈	2400 x 1350 x 757	C_KNS-RCDT5496B	5,420	5,998
	84 x 54 x 29 ⁷ / ₈	2100 x 1350 x 757	C_KNS-RCDT5484B	5,216	5,721
	72 x 54 x 29 ⁷ / ₈	1800 x 1350 x 757	C_KNS-RCDT5472B	5,002	5,444
	60 x 54 x 29 ⁷ / ₈	1500 x 1350 x 757	C_KNS-RCDT5460B	4,788	5,173
	48 x 54 x 29 ⁷ / ₈	1200 x 1350 x 757	C_KNS-RCDT5448B	4,582	4,899

Specify the surface type (5, 6).

Double-sided surfaces without raceway

96" to 84"

Packaged in 2 boxes.

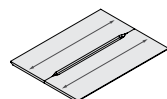
Double-sided surfaces with 2³/₄" (70 mm) space for wires between surfaces. 1 tone only.

72 x 60 x 1	1800 x 1500 x 25	C_NNN-RCD6072	1,855	2,489
60 x 60 x 1	1500 x 1500 x 25	C_NNN-RCD6060	1,533	2,078
48 x 60 x 1	1200 x 1500 x 25	C_NNN-RCD6048	1,208	1,637
72 x 54 x 1	1800 x 1350 x 25	C_NNN-RCD5472	1,745	2,371
60 x 54 x 1	1500 x 1350 x 25	C_NNN-RCD5460	1,629	1,983
48 x 54 x 1	1200 x 1350 x 25	C_NNN-RCD5448	1,510	1,574

Specify the surface type (1, 2).

96 x 60 x 1 ¹ / ₂	2400 x 1500 x 38	C_NNN-RCD6096	2,180	2,909
84 x 60 x 1 ¹ / ₂	2100 x 1500 x 38	C_NNN-RCD6084	2,126	2,664
72 x 60 x 1 ¹ / ₂	1800 x 1500 x 38	C_NNN-RCD6072	2,108	2,496
60 x 60 x 1 ¹ / ₂	1500 x 1500 x 38	C_NNN-RCD6060	1,752	2,274
48 x 60 x 1 ¹ / ₂	1200 x 1500 x 38	C_NNN-RCD6048	1,642	2,126
96 x 54 x 1 ¹ / ₂	2400 x 1350 x 38	C_NNN-RCD5496	2,102	2,797
84 x 54 x 1 ¹ / ₂	2100 x 1350 x 38	C_NNN-RCD5484	1,944	2,575
72 x 54 x 1 ¹ / ₂	1800 x 1350 x 38	C_NNN-RCD5472	1,841	2,401
60 x 54 x 1 ¹ / ₂	1500 x 1350 x 38	C_NNN-RCD5460	1,698	2,214
48 x 54 x 1 ¹ / ₂	1200 x 1350 x 38	C_NNN-RCD5448	1,603	2,047

Specify the surface type (5, 6).

Double-sided knife edge surfaces without raceway

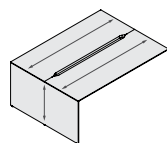
96" to 84"

Packaged in 2 boxes.

Double-sided surfaces with 2³/₄" (70 mm) space for wires between surfaces. Knife edge. 1 tone only.

96 x 60 x 1 ¹ / ₂	2400 x 1500 x 38	C_KNN-RCD6096	2,757	3,442
84 x 60 x 1 ¹ / ₂	2100 x 1500 x 38	C_KNN-RCD6084	2,562	3,161
72 x 60 x 1 ¹ / ₂	1800 x 1500 x 38	C_KNN-RCD6072	2,362	2,877
60 x 60 x 1 ¹ / ₂	1500 x 1500 x 38	C_KNN-RCD6060	2,165	2,593
48 x 60 x 1 ¹ / ₂	1200 x 1500 x 38	C_KNN-RCD6048	1,967	2,307
96 x 54 x 1 ¹ / ₂	2400 x 1350 x 38	C_KNN-RCD5496	2,640	3,249
84 x 54 x 1 ¹ / ₂	2100 x 1350 x 38	C_KNN-RCD5484	2,450	2,986
72 x 54 x 1 ¹ / ₂	1800 x 1350 x 38	C_KNN-RCD5472	2,269	2,726
60 x 54 x 1 ¹ / ₂	1500 x 1350 x 38	C_KNN-RCD5460	2,078	2,466
48 x 54 x 1 ¹ / ₂	1200 x 1350 x 38	C_KNN-RCD5448	1,895	2,203

Specify the surface type (5, 6).

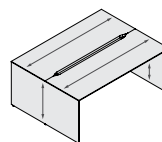
Double-sided knife edge surfaces without raceway

Packaged in 2 boxes.

Double-sided surfaces with 2³/₄" (70 mm) space for wires between surfaces. Knife edge. 1 full leg with knife edge included. 1 tone only.

96 x 60 x 29 ⁷ / ₈	2400 x 1500 x 757	C_KNS-RCD6096RA	4,030	4,716
84 x 60 x 29 ⁷ / ₈	2100 x 1500 x 757	C_KNS-RCD6084RA	3,839	4,440
72 x 60 x 29 ⁷ / ₈	1800 x 1500 x 757	C_KNS-RCD6072RA	3,649	4,163
60 x 60 x 29 ⁷ / ₈	1500 x 1500 x 757	C_KNS-RCD6060RA	3,463	3,895
48 x 60 x 29 ⁷ / ₈	1200 x 1500 x 757	C_KNS-RCD6048RA	3,271	3,619
96 x 54 x 29 ⁷ / ₈	2400 x 1350 x 757	C_KNS-RCD5496RA	3,864	4,472
84 x 54 x 29 ⁷ / ₈	2100 x 1350 x 757	C_KNS-RCD5484RA	3,682	4,220
72 x 54 x 29 ⁷ / ₈	1800 x 1350 x 757	C_KNS-RCD5472RA	3,510	3,969
60 x 54 x 29 ⁷ / ₈	1500 x 1350 x 757	C_KNS-RCD5460RA	3,332	3,715
48 x 54 x 29 ⁷ / ₈	1200 x 1350 x 757	C_KNS-RCD5448RA	3,153	3,463

Specify the surface type (5, 6).

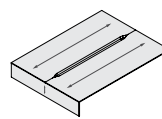
Double-sided knife edge surfaces without raceway

Packaged in 2 boxes.

Double-sided surfaces with 2³/₄" (70 mm) space for wires between surfaces. Knife edge. 2 full legs with knife edge included. 1 tone only.

96 x 60 x 29 ⁷ / ₈	2400 x 1500 x 757	C_KNS-RCD6096A	5,167	5,862
84 x 60 x 29 ⁷ / ₈	2100 x 1500 x 757	C_KNS-RCD6084A	4,978	5,587
72 x 60 x 29 ⁷ / ₈	1800 x 1500 x 757	C_KNS-RCD6072A	4,788	5,310
60 x 60 x 29 ⁷ / ₈	1500 x 1500 x 757	C_KNS-RCD6060A	4,599	5,032
48 x 60 x 29 ⁷ / ₈	1200 x 1500 x 757	C_KNS-RCD6048A	4,416	4,757
96 x 54 x 29 ⁷ / ₈	2400 x 1350 x 757	C_KNS-RCD5496A	4,960	5,569
84 x 54 x 29 ⁷ / ₈	2100 x 1350 x 757	C_KNS-RCD5484A	4,779	5,318
72 x 54 x 29 ⁷ / ₈	1800 x 1350 x 757	C_KNS-RCD5472A	4,605	5,064
60 x 54 x 29 ⁷ / ₈	1500 x 1350 x 757	C_KNS-RCD5460A	4,431	4,812
48 x 54 x 29 ⁷ / ₈	1200 x 1350 x 757	C_KNS-RCD5448A	4,253	4,560

Specify the surface type (5, 6).

Double-sided knife edge surfaces without raceway

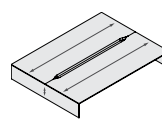
96" to 72"

Packaged in 2 boxes.

Double-sided surfaces with 2³/₄" (70 mm) space for wires between surfaces. Knife edge. 1 small leg with knife edge included to be supported by low storage module. 1 tone only.

96 x 60 x 8	2400 x 1500 x 196	C_KNS-RCD6096RC	3,864	4,560
84 x 60 x 8	2100 x 1500 x 196	C_KNS-RCD6084RC	3,682	4,282
72 x 60 x 8	1800 x 1500 x 196	C_KNS-RCD6072RC	3,492	4,006
60 x 60 x 8	1500 x 1500 x 196	C_KNS-RCD6060RC	3,304	3,729
48 x 60 x 8	1200 x 1500 x 196	C_KNS-RCD6048RC	3,114	3,463
96 x 54 x 8	2400 x 1350 x 196	C_KNS-RCD5496RC	3,723	4,331
84 x 54 x 8	2100 x 1350 x 196	C_KNS-RCD5484RC	3,539	4,114
72 x 54 x 8	1800 x 1350 x 196	C_KNS-RCD5472RC	3,365	3,895
60 x 54 x 8	1500 x 1350 x 196	C_KNS-RCD5460RC	3,192	3,674
48 x 54 x 8	1200 x 1350 x 196	C_KNS-RCD5448RC	3,011	3,463

Specify the surface type (5, 6).

Double-sided knife edge surfaces without raceway

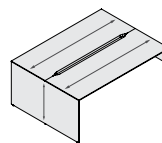
96" to 72"

Packaged in 2 boxes.

Double-sided surfaces with 2³/₄" (70 mm) space for wires between surfaces. Knife edge. 2 small legs with knife edge included to be supported by low storage modules. 1 tone only.

96 x 60 x 8	2400 x 1500 x 196	C_KNS-RCD6096C	4,851	5,538
84 x 60 x 8	2100 x 1500 x 196	C_KNS-RCD6084C	4,662	5,271
72 x 60 x 8	1800 x 1500 x 196	C_KNS-RCD6072C	4,472	4,995
60 x 60 x 8	1500 x 1500 x 196	C_KNS-RCD6060C	4,282	4,716
48 x 60 x 8	1200 x 1500 x 196	C_KNS-RCD6048C	4,092	4,440
96 x 54 x 8	2400 x 1350 x 196	C_KNS-RCD5496C	4,677	5,284
84 x 54 x 8	2100 x 1350 x 196	C_KNS-RCD5484C	4,496	5,032
72 x 54 x 8	1800 x 1350 x 196	C_KNS-RCD5472C	4,322	4,779
60 x 54 x 8	1500 x 1350 x 196	C_KNS-RCD5460C	4,149	4,527
48 x 54 x 8	1200 x 1350 x 196	C_KNS-RCD5448C	3,969	4,274

Specify the surface type (5, 6).

Double-sided knife edge surfaces without raceway

Packaged in 2 boxes.

Double-sided surfaces with 2³/₄" (70 mm) space for wires between surfaces. Knife edge. 1 full leg and 1 small leg with knife edge included to be supported by low storage module. 1 tone only.

96 x 60 x 29 ⁷ / ₈	2400 x 1500 x 757	C_KNS-RCD6096B	5,009	5,697
84 x 60 x 29 ⁷ / ₈	2100 x 1500 x 757	C_KNS-RCD6084B	4,818	5,427
72 x 60 x 29 ⁷ / ₈	1800 x 1500 x 757	C_KNS-RCD6072B	4,630	5,154
60 x 60 x 29 ⁷ / ₈	1500 x 1500 x 757	C_KNS-RCD6060B	4,440	4,874
48 x 60 x 29 ⁷ / ₈	1200 x 1500 x 757	C_KNS-RCD6048B	4,253	4,599
96 x 54 x 29 ⁷ / ₈	2400 x 1350 x 757	C_KNS-RCD5496B	4,818	5,427
84 x 54 x 29 ⁷ / ₈	2100 x 1350 x 757	C_KNS-RCD5484B	4,638	5,173
72 x 54 x 29 ⁷ / ₈	1800 x 1350 x 757	C_KNS-RCD5472B	4,465	4,921
60 x 54 x 29 ⁷ / ₈	1500 x 1350 x 757	C_KNS-RCD5460B	4,289	4,669
48 x 54 x 29 ⁷ / ₈	1200 x 1350 x 757	C_KNS-RCD5448B	4,109	4,416

Specify the surface type (5, 6).

2-TONE LAMINATE APPLICATION: SHADED AREA CORRESPONDS TO THE FIRST CODE TO BE SPECIFIED. SECOND LAMINATE CODE WILL BE APPLIED TO THE REST OF THE PRODUCT.

= NOT PART OF THE QUICKSHIP PROGRAM

= ASSEMBLY REQUIRED



	W x D x H (in)	W x D x H (mm)	Code	All Laminate (\$)	HPL Surfaces (\$)
120-degree surfaces with raceway	<i>Surfaces with wire management raceway. Translucent acrylic channel covers. Wire management center base included. 3 LGC-COM included. 1 tone only.</i>				
	60 x 54 x 29 ³ / ₈	1500 x 1350 x 745	C_NN-TCADT5460	5,727	7,277
	54 x 54 x 29 ³ / ₈	1350 x 1350 x 745	C_NN-TCADT5454	5,667	7,117
	Specify the surface type (1, 2). Specify accent color (S, W).				
Packaged in 4 boxes.	60 x 54 x 29 ³ / ₈	1500 x 1350 x 757	C_NN-TCADT5460	6,401	8,020
	54 x 54 x 29 ³ / ₈	1350 x 1350 x 757	C_NN-TCADT5454	6,297	7,821
	Specify the surface type (5, 6). Specify accent color (S, W).				

	W x D x H (in)	W x D x H (mm)	Code	All Laminate (\$)	HPL Surfaces (\$)
120-degree surfaces without raceway	<i>Surfaces with 2³/₄" (70 mm) space for wires between surfaces. Wire management center base included. 1 tone only.</i>				
	60 x 54 x 29 ³ / ₈	1500 x 1350 x 745	C_NN-TCAD5460	4,149	5,988
	54 x 54 x 29 ³ / ₈	1350 x 1350 x 745	C_NN-TCAD5454	4,101	5,869
	Specify the surface type (1, 2). Specify accent color (S, W).				
Packaged in 4 boxes.	60 x 54 x 29 ³ / ₈	1500 x 1350 x 757	C_NN-TCAD5460	4,947	6,864
	54 x 54 x 29 ³ / ₈	1350 x 1350 x 757	C_NN-TCAD5454	4,867	6,717
	Specify the surface type (5, 6). Specify accent color (S, W).				

	W x D x H (in)	W x D x H (mm)	Code	All Laminate (\$)	HPL Surfaces (\$)
Single-sided surfaces with raceway	<i>Single-sided surfaces with wire management raceway. Translucent acrylic channel covers. 1 LGC-COM included. 1 tone only.</i>				
	72 x 31 x 29 ³ / ₈	1800 x 797 x 745	C_NNS-RCST3172	1,724	2,031
	60 x 31 x 29 ³ / ₈	1500 x 797 x 745	C_NNS-RCST3160	1,581	1,874
	48 x 31 x 29 ³ / ₈	1200 x 797 x 745	C_NNS-RCST3148	1,423	1,692
	Specify the surface type (1, 2).				
96" to 84"	96 x 31 x 29 ³ / ₈	2400 x 797 x 757	C_NNS-RCST3196	2,147	2,575
Packaged in 2 boxes.	84 x 31 x 29 ³ / ₈	2100 x 797 x 757	C_NNS-RCST3184	1,921	2,299
	72 x 31 x 29 ³ / ₈	1800 x 797 x 757	C_NNS-RCST3172	1,760	2,108
	60 x 31 x 29 ³ / ₈	1500 x 797 x 757	C_NNS-RCST3160	1,621	1,938
	48 x 31 x 29 ³ / ₈	1200 x 797 x 757	C_NNS-RCST3148	1,478	1,773
	Specify the surface type (5, 6).				

	W x D x H (in)	W x D x H (mm)	Code	All Laminate (\$)	HPL Surfaces (\$)
Single-sided knife edge surfaces with raceway	<i>Single-sided surfaces with wire management raceway. Knife edge. Translucent acrylic channel covers. 1 LGC-COM included. 1 tone only.</i>				
	96 x 31 x 29 ³ / ₈	2400 x 797 x 757	C_KNS-RCST3196	2,686	3,224
	84 x 31 x 29 ³ / ₈	2100 x 797 x 757	C_KNS-RCST3184	2,401	2,885
	72 x 31 x 29 ³ / ₈	1800 x 797 x 757	C_KNS-RCST3172	2,203	2,646
	60 x 31 x 29 ³ / ₈	1500 x 797 x 757	C_KNS-RCST3160	2,023	2,425
	48 x 31 x 29 ³ / ₈	1200 x 797 x 757	C_KNS-RCST3148	1,848	2,219
	Specify the surface type (5, 6).				

	W x D x H (in)	W x D x H (mm)	Code	All Laminate (\$)	HPL Surfaces (\$)
Single-sided knife edge surfaces with raceway	<i>Single-sided surfaces with wire management raceway. Knife edge. Translucent acrylic channel covers. 1 full leg with knife edge included. 1 LGC-COM included. 1 tone only.</i>				
	96 x 31 x 29 ³ / ₈	2400 x 797 x 757	C_KNS-RCST3196RA	3,241	3,888
	84 x 31 x 29 ³ / ₈	2100 x 797 x 757	C_KNS-RCST3184RA	2,956	3,546
	72 x 31 x 29 ³ / ₈	1800 x 797 x 757	C_KNS-RCST3172RA	2,757	3,311
	60 x 31 x 29 ³ / ₈	1500 x 797 x 757	C_KNS-RCST3160RA	2,575	3,089
	48 x 31 x 29 ³ / ₈	1200 x 797 x 757	C_KNS-RCST3148RA	2,401	2,885
	Specify the surface type (5, 6). Choose left or right, add L or R at the end of the code.				
96" to 72"	96 x 31 x 29 ³ / ₈	2400 x 797 x 757	C_KNS-RCST3196RA	3,612	3,974
Packaged in 2 boxes.	84 x 31 x 29 ³ / ₈	2100 x 797 x 757	C_KNS-RCST3184RA	3,414	3,735
	72 x 31 x 29 ³ / ₈	1800 x 797 x 757	C_KNS-RCST3172RA	3,216	3,498
	60 x 31 x 29 ³ / ₈	1500 x 797 x 757	C_KNS-RCST3160RA	3,025	3,264
	48 x 31 x 29 ³ / ₈	1200 x 797 x 757	C_KNS-RCST3148RA	2,829	3,025
	Specify the surface type (5, 6).				

	W x D x H (in)	W x D x H (mm)	Code	All Laminate (\$)	HPL Surfaces (\$)
Single-sided knife edge surfaces with raceway	<i>Single-sided surfaces with wire management raceway. Knife edge. Translucent acrylic channel covers. 2 full legs with knife edge included. 1 LGC-COM included. 1 tone only.</i>				
	96 x 31 x 29 ³ / ₈	2400 x 797 x 757	C_KNS-RCST3196A	3,634	4,180
	84 x 31 x 29 ³ / ₈	2100 x 797 x 757	C_KNS-RCST3184A	3,354	3,857
	72 x 31 x 29 ³ / ₈	1800 x 797 x 757	C_KNS-RCST3172A	3,153	3,626
	60 x 31 x 29 ³ / ₈	1500 x 797 x 757	C_KNS-RCST3160A	2,970	3,414
	48 x 31 x 29 ³ / ₈	1200 x 797 x 757	C_KNS-RCST3148A	2,797	3,216
	Specify the surface type (5, 6).				

	W x D x H (in)	W x D x H (mm)	Code	All Laminate (\$)	HPL Surfaces (\$)
Single-sided surfaces without raceway	<i>Single-sided surfaces with 2" (50 mm) space for wires on the surface. 1 tone only.</i>				
	72 x 31 x 29 ³ / ₈	1800 x 797 x 745	C_NNN-RCS3172	1,130	1,408
	60 x 31 x 29 ³ / ₈	1500 x 797 x 745	C_NNN-RCS3160	1,058	1,288
	48 x 31 x 29 ³ / ₈	1200 x 797 x 745	C_NNN-RCS3148	988	1,177
	Specify the surface type (1, 2).				
96" to 84"	96 x 31 x 29 ³ / ₈	2400 x 797 x 757	C_NNN-RCS3196	1,978	2,337
Packaged in 2 boxes.	84 x 31 x 29 ³ / ₈	2100 x 797 x 757	C_NNN-RCS3184	1,773	2,087
	72 x 31 x 29 ³ / ₈	1800 x 797 x 757	C_NNN-RCS3172	1,565	1,834
	60 x 31 x 29 ³ / ₈	1500 x 797 x 757	C_NNN-RCS3160	1,359	1,588
	48 x 31 x 29 ³ / ₈	1200 x 797 x 757	C_NNN-RCS3148	1,155	1,334
	Specify the surface type (5, 6).				

	W x D x H (in)	W x D x H (mm)	Code	All Laminate (\$)	HPL Surfaces (\$)
Single-sided knife edge surfaces without raceway	<i>Single-sided surfaces with 2" (50 mm) space for wires on the surface. Knife edge. 1 tone only.</i>				
	96 x 31 x 29 ³ / ₈	2400 x 797 x 757	C_KNN-RCS3196	2,147	2,489
	84 x 31 x 29 ³ / ₈	2100 x 797 x 757	C_KNN-RCS3184	1,951	2,252
	72 x 31 x 29 ³ / ₈	1800 x 797 x 757	C_KNN-RCS3172	1,760	2,013
	60 x 31 x 29 ³ / ₈	1500 x 797 x 757	C_KNN-RCS3160	1,588	1,785
	48 x 31 x 29 ³ / ₈	1200 x 797 x 757	C_KNN-RCS3148	1,388	1,548
	Specify the surface type (5, 6).				

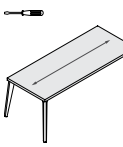
	W x D x H (in)	W x D x H (mm)	Code	All Laminate (\$)	HPL Surfaces (\$)
Single-sided knife edge surfaces without raceway	<i>Single-sided surfaces with 2" (50mm) space for wires on the surface. 1 full leg with knife edge included. 1 tone only.</i>				
	96 x 31 x 29 ³ / ₈	2400 x 797 x 757	C_KNS-RCS3196RA	2,829	3,229
	84 x 31 x 29 ³ / ₈	2100 x 797 x 757	C_KNS-RCS3184RA	2,640	2,996
	72 x 31 x 29 ³ / ₈	1800 x 797 x 757	C_KNS-RCS3172RA	2,450	2,757
	60 x 31 x 29 ³ / ₈	1500 x 797 x 757	C_KNS-RCS3160RA	2,260	2,521
	48 x 31 x 29 ³ / ₈	1200 x 797 x 757	C_KNS-RCS3148RA	2,062	2,292
	Specify the surface type (5, 6). Choose left or right, add L or R at the end of the code.				

	W x D x H (in)	W x D x H (mm)	Code	All Laminate (\$)	HPL Surfaces (\$)
Single-sided knife edge surfaces without raceway	<i>Single-sided surfaces with 2" (50 mm) space for wires on the surface. 2 full legs with knife edge included. 1 tone only.</i>				
	96 x 31 x 29 ³ / ₈	2400 x 797 x 757	C_KNS-RCS3196A	3,612	3,974
	84 x 31 x 29 ³ / ₈	2100 x 797 x 757	C_KNS-RCS3184A	3,414	3,735
	72 x 31 x 29 ³ / ₈	1800 x 797 x 757	C_KNS-RCS3172A	3,216	3,498
	60 x 31 x 29 ³ / ₈	1500 x 797 x 757	C_KNS-RCS3160A	3,025	3,264
	48 x 31 x 29 ³ / ₈	1200 x 797 x 757	C_KNS-RCS3148A	2,829	3,025
	Specify the surface type (5, 6).				

2-TONE LAMINATE APPLICATION: SHADED AREA CORRESPONDS TO THE FIRST CODE TO BE SPECIFIED. SECOND LAMINATE CODE WILL BE APPLIED TO THE REST OF THE PRODUCT.



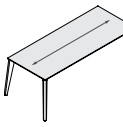


	W x D x H (in)	W x D x H (mm)	Code	All Laminate (\$)	HPL Surfaces (\$)
Return surfaces	<i>Rectangular return surfaces. Metal bases included.</i>				
	72 x 36 x 29 ⁷ / ₈	1800 x 900 x 745	C_NN_-R3672A	1,187	1,485
	60 x 36 x 29 ⁷ / ₈	1500 x 900 x 745	C_NN_-R3660A	1,155	1,399
	48 x 36 x 29 ⁷ / ₈	1200 x 900 x 745	C_NN_-R3648A	1,113	1,312
	72 x 30 x 29 ⁷ / ₈	1800 x 750 x 745	C_NN_-R3072A	1,155	1,399
	60 x 30 x 29 ⁷ / ₈	1500 x 750 x 745	C_NN_-R3060A	1,121	1,327
Packaged in 3 boxes.	48 x 30 x 29 ⁷ / ₈	1200 x 750 x 745	C_NN_-R3048A	1,089	1,248
	36 x 30 x 29 ⁷ / ₈	900 x 750 x 745	C_NN_-R3036A	1,051	1,177
	72 x 24 x 29 ⁷ / ₈	1800 x 600 x 745	C_NN_-R2472A	1,113	1,312
	60 x 24 x 29 ⁷ / ₈	1500 x 600 x 745	C_NN_-R2460A	1,089	1,256
	48 x 24 x 29 ⁷ / ₈	1200 x 600 x 745	C_NN_-R2448A	1,058	1,193
	36 x 24 x 29 ⁷ / ₈	900 x 600 x 745	C_NN_-R2436A	1,035	1,138

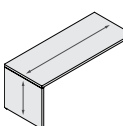
Specify the surface type (1, 2). Specify accent color (S, W).

72 x 36 x 29 ⁷ / ₈	1800 x 900 x 757	C_NN_-R3672A	1,322	1,637
60 x 36 x 29 ⁷ / ₈	1500 x 900 x 757	C_NN_-R3660A	1,264	1,593
48 x 36 x 29 ⁷ / ₈	1200 x 900 x 757	C_NN_-R3648A	1,199	1,408
72 x 30 x 29 ⁷ / ₈	1800 x 750 x 757	C_NN_-R3072A	1,264	1,526
60 x 30 x 29 ⁷ / ₈	1500 x 750 x 757	C_NN_-R3060A	1,219	1,517
48 x 30 x 29 ⁷ / ₈	1200 x 750 x 757	C_NN_-R3048A	1,162	1,423
36 x 30 x 29 ⁷ / ₈	900 x 750 x 757	C_NN_-R3036A	1,113	1,241
72 x 24 x 29 ⁷ / ₈	1800 x 600 x 757	C_NN_-R2472A	1,208	1,414
60 x 24 x 29 ⁷ / ₈	1500 x 600 x 757	C_NN_-R2460A	1,169	1,344
48 x 24 x 29 ⁷ / ₈	1200 x 600 x 757	C_NN_-R2448A	1,121	1,264
36 x 24 x 29 ⁷ / ₈	900 x 600 x 757	C_NN_-R2436A	1,084	1,187

Specify the surface type (5, 6). Specify accent color (S, W).

	W x D x H (in)	W x D x H (mm)	Code	All Laminate (\$)	HPL Surfaces (\$)
Return surfaces, knife edge	<i>Rectangular return surfaces. Knife edge. Metal bases included.</i>				
	72 x 36 x 29 ⁷ / ₈	1800 x 900 x 757	C_KN_-R3672A	1,540	1,895
	60 x 36 x 29 ⁷ / ₈	1500 x 900 x 757	C_KN_-R3660A	1,485	1,785
	48 x 36 x 29 ⁷ / ₈	1200 x 900 x 757	C_KN_-R3648A	1,430	1,675
	72 x 30 x 29 ⁷ / ₈	1800 x 750 x 757	C_KN_-R3072A	1,485	1,692
	60 x 30 x 29 ⁷ / ₈	1500 x 750 x 757	C_KN_-R3060A	1,437	1,621
Packaged in 3 boxes.	48 x 30 x 29 ⁷ / ₈	1200 x 750 x 757	C_KN_-R3048A	1,388	1,574
	36 x 30 x 29 ⁷ / ₈	900 x 750 x 757	C_KN_-R3036A	1,344	1,517
	72 x 24 x 29 ⁷ / ₈	1800 x 600 x 757	C_KN_-R2472A	1,437	1,685
	60 x 24 x 29 ⁷ / ₈	1500 x 600 x 757	C_KN_-R2460A	1,399	1,613
	48 x 24 x 29 ⁷ / ₈	1200 x 600 x 757	C_KN_-R2448A	1,359	1,533
	36 x 24 x 29 ⁷ / ₈	900 x 600 x 757	C_KN_-R2436A	1,322	1,462

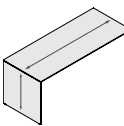
Specify the surface type (5, 6). Specify accent color (S, W).

	W x D x H (in)	W x D x H (mm)	Code	All Laminate (\$)	HPL Surfaces (\$)
Return surfaces	<i>Rectangular return surfaces. 6" small back. 1 full 1 1/2" (38 mm) leg included. Reversible. Can accommodate 1 mobile pedestal C_NNN_-MP1518F.</i>				
	72 x 36 x 29 ⁷ / ₈	1800 x 900 x 745	C_NNN-R3672S	1,029	1,359
	60 x 36 x 29 ⁷ / ₈	1500 x 900 x 745	C_NNN-R3660S	972	1,248
	48 x 36 x 29 ⁷ / ₈	1200 x 900 x 745	C_NNN-R3648S	909	1,130
	72 x 30 x 29 ⁷ / ₈	1800 x 750 x 745	C_NNN-R3072S	963	1,241
	60 x 30 x 29 ⁷ / ₈	1500 x 750 x 745	C_NNN-R3060S	909	1,138
	48 x 30 x 29 ⁷ / ₈	1200 x 750 x 745	C_NNN-R3048S	855	1,035
	36 x 30 x 29 ⁷ / ₈	900 x 750 x 745	C_NNN-R3036S	799	941
	72 x 24 x 29 ⁷ / ₈	1800 x 600 x 745	C_NNN-R2472S	893	1,113
	60 x 24 x 29 ⁷ / ₈	1500 x 600 x 745	C_NNN-R2460S	844	1,035
	48 x 24 x 29 ⁷ / ₈	1200 x 600 x 745	C_NNN-R2448S	799	948
	36 x 24 x 29 ⁷ / ₈	900 x 600 x 745	C_NNN-R2436S	751	861

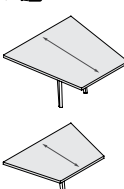
Specify the surface type (1, 2).

	W x D x H (in)	W x D x H (mm)	Code	All Laminate (\$)	HPL Surfaces (\$)
Return surfaces (cont'd)	72 x 36 x 29 ⁷ / ₈	1800 x 900 x 757	C_NNN-R3672S	1,155	1,453
	60 x 36 x 29 ⁷ / ₈	1500 x 900 x 757	C_NNN-R3660S	1,044	1,322
	48 x 36 x 29 ⁷ / ₈	1200 x 900 x 757	C_NNN-R3648S	925	1,169
	72 x 30 x 29 ⁷ / ₈	1800 x 750 x 757	C_NNN-R3072S	1,005	1,312
	60 x 30 x 29 ⁷ / ₈	1500 x 750 x 757	C_NNN-R3060S	934	1,187
	48 x 30 x 29 ⁷ / ₈	1200 x 750 x 757	C_NNN-R3048S	861	1,064
	36 x 30 x 29 ⁷ / ₈	900 x 750 x 757	C_NNN-R3036S	789	941
	72 x 24 x 29 ⁷ / ₈	1800 x 600 x 757	C_NNN-R2472S	916	1,162
	60 x 24 x 29 ⁷ / ₈	1500 x 600 x 757	C_NNN-R2460S	861	1,058
	48 x 24 x 29 ⁷ / ₈	1200 x 600 x 757	C_NNN-R2448S	799	963
	36 x 24 x 29 ⁷ / ₈	900 x 600 x 757	C_NNN-R2436S	733	861

Specify the surface type (5, 6).

	W x D x H (in)	W x D x H (mm)	Code	All Laminate (\$)	HPL Surfaces (\$)
Return surfaces, knife edge	<i>Rectangular return surfaces. 6" (150 mm) small back. Knife edge. 1 full leg included. Reversible. Can accommodate 1 mobile pedestal C_NNN_-MP1518F. 1 tone only.</i>				
	72 x 36 x 29 ⁷ / ₈	1800 x 900 x 757	C_KNN-R3672S	1,423	1,752
	60 x 36 x 29 ⁷ / ₈	1500 x 900 x 757	C_KNN-R3660S	1,351	1,621
	48 x 36 x 29 ⁷ / ₈	1200 x 900 x 757	C_KNN-R3648S	1,264	1,485
	72 x 30 x 29 ⁷ / ₈	1800 x 750 x 757	C_KNN-R3072S	1,334	1,613
	60 x 30 x 29 ⁷ / ₈	1500 x 750 x 757	C_KNN-R3060S	1,264	1,491
	48 x 30 x 29 ⁷ / ₈	1200 x 750 x 757	C_KNN-R3048S	1,193	1,382
	36 x 30 x 29 ⁷ / ₈	900 x 750 x 757	C_KNN-R3036S	1,130	1,264
	72 x 24 x 29 ⁷ / ₈	1800 x 600 x 757	C_KNN-R2472S	1,248	1,472
	60 x 24 x 29 ⁷ / ₈	1500 x 600 x 757	C_KNN-R2460S	1,224	1,370
	48 x 24 x 29 ⁷ / ₈	1200 x 600 x 757	C_KNN-R2448S	1,199	1,273
	36 x 24 x 29 ⁷ / ₈	900 x 600 x 757	C_KNN-R2436S	1,177	1,224

Specify the surface type (5, 6).

	W x D x H (in)	W x D x H (mm)	Code	All Laminate (\$)	HPL Surfaces (\$)
Trapezoidal extension surfaces	<i>Trapezoidal extension surfaces. Must be installed at the end of a double-sided surface. Metal base included.</i>				
	60 x 54 x 29 ⁷ / ₈	1500 x 1350 x 745	C_NN_-CEA6054	1,478	1,848
	60 x 36 x 29 ⁷ / ₈	1500 x 900 x 745	C_NN_-CEA6036	980	1,224
	60 x 30 x 29 ⁷ / ₈	1500 x 750 x 745	C_NN_-CEA6030	941	1,155
	60 x 24 x 29 ⁷ / ₈	1500 x 600 x 745	C_NN_-CEA6024	909	1,075
	54 x 54 x 29 ⁷ / ₈	1350 x 1350 x 745	C_NN_-CEA5454	1,430	1,801
	54 x 36 x 29 ⁷ / ₈	1350 x 900 x 745	C_NN_-CEA5436	941	1,187
	54 x 30 x 29 ⁷ / ₈	1350 x 750 x 745	C_NN_-CEA5430	900	1,089
	54 x 24 x 29 ⁷ / ₈	1350 x 600 x 745	C_NN_-CEA5424	870	1,029

Packaged in 2 or 3 boxes depending on the number of legs.

Specify the surface type (1, 2). Specify accent color (S, W).

60 x 54 x 29 ⁷ / ₈	1500 x 1350 x 757	C_NN_-CEA6054	1,724	2,031
60 x 36 x 29 ⁷ / ₈	1500 x 900 x 757	C_NN_-CEA6036	1,138	1,344
60 x 30 x 29 ⁷ / ₈	1500 x 750 x 757	C_NN_-CEA6030	1,089	1,256
60 x 24 x 29 ⁷ / ₈	1500 x 600 x 757	C_NN_-CEA6024	1,035	1,162
54 x 54 x 29 ⁷ / ₈	1350 x 1350 x 757	C_NN_-CEA5454	1,668	1,978
54 x 36 x 29 ⁷ / ₈	1350 x 900 x 757	C_NN_-CEA5436	1,089	1,297
54 x 30 x 29 ⁷ / ₈	1350 x 750 x 757	C_NN_-CEA5430	1,044	1,208
54 x 24 x 29 ⁷ / ₈	1350 x 600 x 757	C_NN_-CEA5424	980	1,096

Specify the surface type (5, 6). Specify accent color (S, W).

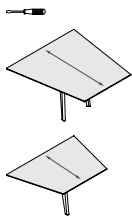
2-TONE LAMINATE APPLICATION: SHADED AREA CORRESPONDS TO THE FIRST CODE TO BE SPECIFIED. SECOND LAMINATE CODE WILL BE APPLIED TO THE REST OF THE PRODUCT.

= NOT PART OF THE QUICKSHIP PROGRAM

= ASSEMBLY REQUIRED



Trapezoidal extension surfaces with knife edge

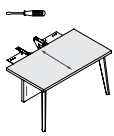


Packaged in 2 or 3 boxes depending on the number of legs.

W x D x H (in)	W x D x H (mm)	Code	All Laminate (\$)	HPL Surfaces (\$)
<i>Trapezoidal extension surfaces with knife edge. Must be installed at the end of a double-sided surface. Metal base included.</i>				
60 x 54 x 29 ³ / ₈	1500 x 1350 x 757	C_KN-CEA6054	1,848	2,219
60 x 36 x 29 ³ / ₈	1500 x 900 x 757	C_KN-CEA6036	1,334	1,588
60 x 30 x 29 ³ / ₈	1500 x 750 x 757	C_KN-CEA6030	1,288	1,503
60 x 24 x 29 ³ / ₈	1500 x 600 x 757	C_KN-CEA6024	1,241	1,414
54 x 54 x 29 ³ / ₈	1350 x 1350 x 757	C_KN-CEA5454	1,794	2,005
54 x 36 x 29 ³ / ₈	1350 x 900 x 757	C_KN-CEA5436	1,278	1,517
54 x 30 x 29 ³ / ₈	1350 x 750 x 757	C_KN-CEA5430	1,233	1,437
54 x 24 x 29 ³ / ₈	1350 x 600 x 757	C_KN-CEA5424	1,193	1,359

Specify the surface type (5, 6). Specify accent color (S, W).

Rectangular extension surfaces



Packaged in 3 boxes.

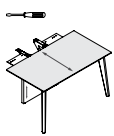
W x D x H (in)	W x D x H (mm)	Code	All Laminate (\$)	HPL Surfaces (\$)
<i>Rectangular extension surfaces. Must be installed at the end of a double-sided surface. Metal base and laminate junction panel included.</i>				
60 x 36 x 29 ³ / ₈	1500 x 900 x 745	C_NN-CE6036	1,675	1,951
60 x 30 x 29 ³ / ₈	1500 x 750 x 745	C_NN-CE6030	1,642	1,881
60 x 24 x 29 ³ / ₈	1500 x 600 x 745	C_NN-CE6024	1,621	1,818
54 x 36 x 29 ³ / ₈	1350 x 900 x 745	C_NN-CE5436	1,629	1,881
54 x 30 x 29 ³ / ₈	1350 x 750 x 745	C_NN-CE5430	1,593	1,808
54 x 24 x 29 ³ / ₈	1350 x 600 x 745	C_NN-CE5424	1,565	1,752

Specify the surface type (1, 2). Specify accent color (S, W).

60 x 36 x 29 ³ / ₈	1500 x 900 x 757	C_NN-CE6036	1,794	2,068
60 x 30 x 29 ³ / ₈	1500 x 750 x 757	C_NN-CE6030	1,745	1,983
60 x 24 x 29 ³ / ₈	1500 x 600 x 757	C_NN-CE6024	1,698	1,895
54 x 36 x 29 ³ / ₈	1350 x 900 x 757	C_NN-CE5436	1,745	1,998
54 x 30 x 29 ³ / ₈	1350 x 750 x 757	C_NN-CE5430	1,698	1,903
54 x 24 x 29 ³ / ₈	1350 x 600 x 757	C_NN-CE5424	1,642	1,834

Specify the surface type (5, 6). Specify accent color (S, W).

Rectangular extension surfaces with knife edge

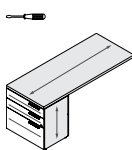


Packaged in 3 boxes.

W x D x H (in)	W x D x H (mm)	Code	All Laminate (\$)	HPL Surfaces (\$)
<i>Rectangular extension surfaces with knife edge. Must be installed at the end of a double-sided surface. Metal base and laminate junction panel included.</i>				
60 x 36 x 29 ³ / ₈	1500 x 900 x 757	C_KN-CE6036	2,078	2,355
60 x 30 x 29 ³ / ₈	1500 x 750 x 757	C_KN-CE6030	2,031	2,274
60 x 24 x 29 ³ / ₈	1500 x 600 x 757	C_KN-CE6024	1,983	2,191
54 x 36 x 29 ³ / ₈	1350 x 900 x 757	C_KN-CE5436	2,023	2,292
54 x 30 x 29 ³ / ₈	1350 x 750 x 757	C_KN-CE5430	1,978	2,203
54 x 24 x 29 ³ / ₈	1350 x 600 x 757	C_KN-CE5424	1,928	2,117

Specify the surface type (5, 6). Specify accent color (S, W).

Return surface and storage module combos



High-Gloss White finish option for drawer fronts and back (W): add \$252.

Packaged in 2 boxes.

W x D x H (in)	W x D x H (mm)	Code	All Laminate (\$)	HPL Surfaces (\$)
<i>2 box drawers and 1 file drawer with suspension bar. Drawers open at the end of the module. Pencil tray. Lock.</i>				
72 x 36 x 29 ³ / ₈	1800 x 900 x 745	C_N-R3672ELUF	2,141	2,434
60 x 36 x 29 ³ / ₈	1500 x 900 x 745	C_N-R3660ELUF	2,102	2,347
48 x 36 x 29 ³ / ₈	1200 x 900 x 745	C_N-R3648ELUF	2,062	2,252
72 x 30 x 29 ³ / ₈	1800 x 750 x 745	C_N-R3072ELUF	2,055	2,307
60 x 30 x 29 ³ / ₈	1500 x 750 x 745	C_N-R3060ELUF	2,023	2,229
48 x 30 x 29 ³ / ₈	1200 x 750 x 745	C_N-R3048ELUF	1,992	2,157
72 x 24 x 29 ³ / ₈	1800 x 600 x 745	C_N-R2472ELUF	1,978	2,172
60 x 24 x 29 ³ / ₈	1500 x 600 x 745	C_N-R2460ELUF	1,956	2,126
48 x 24 x 29 ³ / ₈	1200 x 600 x 745	C_N-R2448ELUF	1,938	2,068

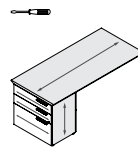
Specify the surface type (1, 2). Specify the Gloss finish (W, N). Specify accent color (S, W).

Return surface and storage module combos (cont'd)

W x D x H (in)	W x D x H (mm)	Code	All Laminate (\$)	HPL Surfaces (\$)
72 x 36 x 29 ³ / ₈	1800 x 900 x 757	C_N-R3672ELUF	2,315	2,631
60 x 36 x 29 ³ / ₈	1500 x 900 x 757	C_N-R3660ELUF	2,252	2,514
48 x 36 x 29 ³ / ₈	1200 x 900 x 757	C_N-R3648ELUF	2,191	2,401
72 x 30 x 29 ³ / ₈	1800 x 750 x 757	C_N-R3072ELUF	2,203	2,471
60 x 30 x 29 ³ / ₈	1500 x 750 x 757	C_N-R3060ELUF	2,135	2,381
48 x 30 x 29 ³ / ₈	1200 x 750 x 757	C_N-R3048ELUF	2,055	2,282
72 x 24 x 29 ³ / ₈	1800 x 600 x 757	C_N-R2472ELUF	2,108	2,315
60 x 24 x 29 ³ / ₈	1500 x 600 x 757	C_N-R2460ELUF	2,062	2,235
48 x 24 x 29 ³ / ₈	1200 x 600 x 757	C_N-R2448ELUF	2,023	2,165

Specify the surface type (5, 6). Specify the Gloss finish (W, N). Specify accent color (S, W).

Return surface and storage module combos with knife edge



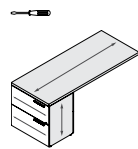
High-Gloss White finish option for drawer fronts and back (W): add \$252.

Packaged in 2 boxes.

W x D x H (in)	W x D x H (mm)	Code	All Laminate (\$)	HPL Surfaces (\$)
<i>Surface with knife edge. 2 box drawers and 1 file drawer with suspension bar. Drawers open at the end of the module. Pencil tray. Lock.</i>				
72 x 34 x 29 ³ / ₈	1800 x 850 x 757	C_K-R3472ELUF	2,514	2,797
60 x 34 x 29 ³ / ₈	1500 x 850 x 757	C_K-R3460ELUF	2,450	2,696
48 x 34 x 29 ³ / ₈	1200 x 850 x 757	C_K-R3448ELUF	2,386	2,584
72 x 28 x 29 ³ / ₈	1800 x 700 x 757	C_K-R2872ELUF	2,411	2,646
60 x 28 x 29 ³ / ₈	1500 x 700 x 757	C_K-R2860ELUF	2,362	2,562
48 x 28 x 29 ³ / ₈	1200 x 700 x 757	C_K-R2848ELUF	2,307	2,466

Specify the surface type (5, 6). Specify the Gloss finish (W, N). Specify accent color (S, W).

Return surface and storage module combos



High-Gloss White finish option for drawer fronts and back (W): add \$252.

Packaged in 2 boxes.

W x D x H (in)	W x D x H (mm)	Code	All Laminate (\$)	HPL Surfaces (\$)
<i>2 file drawers with suspension bars. Drawers open at the end of the module. Lock.</i>				
72 x 36 x 29 ³ / ₈	1800 x 900 x 745	C_N-R3672ELF	1,760	2,062
60 x 36 x 29 ³ / ₈	1500 x 900 x 745	C_N-R3660ELF	1,731	1,978
48 x 36 x 29 ³ / ₈	1200 x 900 x 745	C_N-R3648ELF	1,692	1,889
72 x 30 x 29 ³ / ₈	1800 x 750 x 745	C_N-R3072ELF	1,773	2,013
60 x 30 x 29 ³ / ₈	1500 x 750 x 745	C_N-R3060ELF	1,739	1,944
48 x 30 x 29 ³ / ₈	1200 x 750 x 745	C_N-R3048ELF	1,704	1,874
72 x 24 x 29 ³ / ₈	1800 x 600 x 745	C_N-R2472ELF	1,704	1,903
60 x 24 x 29 ³ / ₈	1500 x 600 x 745	C_N-R2460ELF	1,685	1,848
48 x 24 x 29 ³ / ₈	1200 x 600 x 745	C_N-R2448ELF	1,649	1,785

Specify the surface type (1, 2). Specify the Gloss finish (W, N). Specify accent color (S, W).

72 x 36 x 29 ³ / ₈	1800 x 900 x 757	C_N-R3672ELF	2,005	2,323
60 x 36 x 29 ³ / ₈	1500 x 900 x 757	C_N-R3660ELF	1,944	2,191
48 x 36 x 29 ³ / ₈	1200 x 900 x 757	C_N-R3648ELF	1,881	2,023
72 x 30 x 29 ³ / ₈	1800 x 750 x 757	C_N-R3072ELF	1,912	2,180
60 x 30 x 29 ³ / ₈	1500 x 750 x 757	C_N-R3060ELF	1,865	2,087
48 x 30 x 29 ³ / ₈	1200 x 750 x 757	C_N-R3048ELF	1,808	1,992
72 x 24 x 29 ³ / ₈	1800 x 600 x 757	C_N-R2472ELF	1,834	2,038
60 x 24 x 29 ³ / ₈	1500 x 600 x 757	C_N-R2460ELF	1,785	1,967
48 x 24 x 29 ³ / ₈	1200 x 600 x 757	C_N-R2448ELF	1,745	1,889

Specify the surface type (5, 6). Specify the Gloss finish (W, N). Specify accent color (S, W).

2-TONE LAMINATE APPLICATION: SHADED AREA CORRESPONDS TO THE FIRST CODE TO BE SPECIFIED. SECOND LAMINATE CODE WILL BE APPLIED TO THE REST OF THE PRODUCT.





W x D x H (in)	W x D x H (mm)	Code	All Laminate (\$)	HPL Surfaces (\$)
Return surface and storage module combos with knife edge				
<i>Surface with knife edge. 2 file drawers with suspension bars. Drawers open at the end of the module. Lock.</i>				
72 x 34 x 29 7/8	1800 x 850 x 757	C_K_-R3472ELF	2,229	2,514
60 x 34 x 29 7/8	1500 x 850 x 757	C_K_-R3460ELF	2,172	2,411
48 x 34 x 29 7/8	1200 x 850 x 757	C_K_-R3448ELF	2,108	2,299
72 x 28 x 29 7/8	1800 x 700 x 757	C_K_-R2872ELF	2,141	2,386
60 x 28 x 29 7/8	1500 x 700 x 757	C_K_-R2860ELF	2,094	2,292
48 x 28 x 29 7/8	1200 x 700 x 757	C_K_-R2848ELF	2,038	2,196

High-Gloss White finish option for drawer fronts and back (W): add \$252.

Packaged in 2 boxes.

W x D x H (in)	W x D x H (mm)	Code	All Laminate (\$)	HPL Surfaces (\$)
Return surface and storage module combos				
<i>2 box drawers and 1 file drawer with suspension bar. Drawers open on the side. Pencil tray. Lock. Reversible.</i>				
72 x 36 x 29 7/8	1800 x 900 x 745	C_N_-R3672UF	2,078	2,381
60 x 36 x 29 7/8	1500 x 900 x 745	C_N_-R3660UF	2,038	2,292
48 x 36 x 29 7/8	1200 x 900 x 745	C_N_-R3648UF	1,998	2,203
72 x 30 x 29 7/8	1800 x 750 x 745	C_N_-R3072UF	2,005	2,252
60 x 30 x 29 7/8	1500 x 750 x 745	C_N_-R3060UF	1,978	2,180
48 x 30 x 29 7/8	1200 x 750 x 745	C_N_-R3048UF	1,944	2,108
72 x 24 x 29 7/8	1800 x 600 x 745	C_N_-R2472UF	1,928	2,126
60 x 24 x 29 7/8	1500 x 600 x 745	C_N_-R2460UF	1,903	2,068
48 x 24 x 29 7/8	1200 x 600 x 745	C_N_-R2448UF	1,874	2,005

High-Gloss White finish option for drawer fronts and back (W): add \$252.

Packaged in 2 boxes.

Specify the surface type (1, 2). Specify the Gloss finish (W, N). Specify accent color (S, W).				
72 x 36 x 29 7/8	1800 x 900 x 757	C_N_-R3672UF	2,252	2,568
60 x 36 x 29 7/8	1500 x 900 x 757	C_N_-R3660UF	2,191	2,459
48 x 36 x 29 7/8	1200 x 900 x 757	C_N_-R3648UF	2,135	2,337
72 x 30 x 29 7/8	1800 x 750 x 757	C_N_-R3072UF	2,157	2,418
60 x 30 x 29 7/8	1500 x 750 x 757	C_N_-R3060UF	2,108	2,323
48 x 30 x 29 7/8	1200 x 750 x 757	C_N_-R3048UF	2,055	2,229
72 x 24 x 29 7/8	1800 x 600 x 757	C_N_-R2472UF	2,055	2,269
60 x 24 x 29 7/8	1500 x 600 x 757	C_N_-R2460UF	2,013	2,191
48 x 24 x 29 7/8	1200 x 600 x 757	C_N_-R2448UF	1,967	2,108
Specify the surface type (5, 6). Specify the Gloss finish (W, N). Specify accent color (S, W).				

W x D x H (in)	W x D x H (mm)	Code	All Laminate (\$)	HPL Surfaces (\$)
Return surface and storage module combos with knife edge				
<i>Surface with knife edge. 2 box drawers and 1 file drawer with suspension bar. Drawers open on the side. Pencil tray. Lock. Reversible.</i>				
72 x 34 x 29 7/8	1800 x 850 x 757	C_K_-R3472UF	2,482	2,768
60 x 34 x 29 7/8	1500 x 850 x 757	C_K_-R3460UF	2,418	2,664
48 x 34 x 29 7/8	1200 x 850 x 757	C_K_-R3448UF	2,355	2,543
72 x 28 x 29 7/8	1800 x 700 x 757	C_K_-R2872UF	2,381	2,616
60 x 28 x 29 7/8	1500 x 700 x 757	C_K_-R2860UF	2,331	2,526
48 x 28 x 29 7/8	1200 x 700 x 757	C_K_-R2848UF	2,274	2,434

High-Gloss White finish option for drawer fronts and back (W): add \$252.

Packaged in 2 boxes.

W x D x H (in)	W x D x H (mm)	Code	All Laminate (\$)	HPL Surfaces (\$)
Return surface and storage module combos - 48" H				
<i>2 box drawers and 1 file drawer with suspension bar. Drawers open at the end of the module. Bookcase above surface. Pencil tray. Lock.</i>				
72 x 36 x 47	1800 x 900 x 1195	C_N_-R367248ELUF	2,471	2,775
60 x 36 x 47	1500 x 900 x 1195	C_N_-R366048ELUF	2,434	2,686
72 x 30 x 47	1800 x 750 x 1195	C_N_-R307248ELUF	2,371	2,623
60 x 30 x 47	1500 x 750 x 1195	C_N_-R306048ELUF	2,337	2,543
72 x 24 x 47	1800 x 600 x 1195	C_N_-R247248ELUF	2,269	2,471
60 x 24 x 47	1500 x 600 x 1195	C_N_-R246048ELUF	2,244	2,411

High-Gloss White finish option for drawer fronts and back (W): add \$336.

Packaged in 2 boxes.

Specify the surface type (1, 2). Specify the Gloss finish (W, N). Specify accent color (S, W).

W x D x H (in)	W x D x H (mm)	Code	All Laminate (\$)	HPL Surfaces (\$)
Return surface and storage module combos - 48" H (cont'd)				
72 x 36 x 47 1/2	1800 x 900 x 1207	C_N_-R367248ELUF	2,664	2,986
60 x 36 x 47 1/2	1500 x 900 x 1207	C_N_-R366048ELUF	2,598	2,866
72 x 30 x 47 1/2	1800 x 750 x 1207	C_N_-R307248ELUF	2,537	2,805
60 x 30 x 47 1/2	1500 x 750 x 1207	C_N_-R306048ELUF	2,482	2,701
72 x 24 x 47 1/2	1800 x 600 x 1207	C_N_-R247248ELUF	2,411	2,623
60 x 24 x 47 1/2	1500 x 600 x 1207	C_N_-R246048ELUF	2,371	2,543

Specify the surface type (5, 6). Specify the Gloss finish (W, N). Specify accent color (S, W).

W x D x H (in)	W x D x H (mm)	Code	All Laminate (\$)	HPL Surfaces (\$)
Return surface and storage module combos - 48" H with knife edge				
<i>Surface with knife edge. 2 box drawers and 1 file drawer with suspension bar. Drawers open at the end of the module. Bookcase above surface. Pencil tray. Lock.</i>				
72 x 36 x 47 1/2	1800 x 900 x 1207	C_K_-R367248ELUF	2,861	3,169
60 x 36 x 47 1/2	1500 x 900 x 1207	C_K_-R366048ELUF	2,797	3,050
72 x 30 x 47 1/2	1800 x 750 x 1207	C_K_-R307248ELUF	2,733	2,996
60 x 30 x 47 1/2	1500 x 750 x 1207	C_K_-R306048ELUF	2,677	2,891
72 x 24 x 47 1/2	1800 x 600 x 1207	C_K_-R247248ELUF	2,623	2,822
60 x 24 x 47 1/2	1500 x 600 x 1207	C_K_-R246048ELUF	2,575	2,744

High-Gloss White finish option for drawer fronts and back (W): add \$336.

Packaged in 2 boxes.

W x D x H (in)	W x D x H (mm)	Code	All Laminate (\$)	HPL Surfaces (\$)
Return surface and storage module combos - 48" H				
<i>2 file drawers with suspension bars. Drawers open at the end of the module. Bookcase above surface. Lock.</i>				
72 x 36 x 47	1800 x 900 x 1195	C_N_-R367248ELF	2,362	2,672
60 x 36 x 47	1500 x 900 x 1195	C_N_-R366048ELF	2,323	2,575
72 x 30 x 47	1800 x 750 x 1195	C_N_-R307248ELF	2,260	2,514
60 x 30 x 47	1500 x 750 x 1195	C_N_-R306048ELF	2,229	2,434
72 x 24 x 47	1800 x 600 x 1195	C_N_-R247248ELF	2,157	2,362
60 x 24 x 47	1500 x 600 x 1195	C_N_-R246048ELF	2,135	2,299

High-Gloss White finish option for drawer fronts and back (W): add \$336.

Packaged in 2 boxes.

Specify the surface type (1, 2). Specify the Gloss finish (W, N). Specify accent color (S, W).				
72 x 36 x 47 1/2	1800 x 900 x 1207	C_N_-R367248ELF	2,551	2,866
60 x 36 x 47 1/2	1500 x 900 x 1207	C_N_-R366048ELF	2,489	2,757
72 x 30 x 47 1/2	1800 x 750 x 1207	C_N_-R307248ELF	2,418	2,701
60 x 30 x 47 1/2	1500 x 750 x 1207	C_N_-R306048ELF	2,371	2,593
72 x 24 x 47 1/2	1800 x 600 x 1207	C_N_-R247248ELF	2,299	2,514
60 x 24 x 47 1/2	1500 x 600 x 1207	C_N_-R246048ELF	2,252	2,434
Specify the surface type (5, 6). Specify the Gloss finish (W, N). Specify accent color (S, W).				

W x D x H (in)	W x D x H (mm)	Code	All Laminate (\$)	HPL Surfaces (\$)
Return surface and storage module combos - 48" H with knife edge				
<i>Surface with knife edge. 2 file drawers with suspension bars. Drawers open at the end of the module. Bookcase above surface. Lock.</i>				
72 x 36 x 47 1/2	1800 x 900 x 1207	C_K_-R367248ELF	2,750	3,060
60 x 36 x 47 1/2	1500 x 900 x 1207	C_K_-R366048ELF	2,686	2,947
72 x 30 x 47 1/2	1800 x 750 x 1207	C_K_-R307248ELF	2,631	2,885
60 x 30 x 47 1/2	1500 x 750 x 1207	C_K_-R306048ELF	2,575	2,788
72 x 24 x 47 1/2	1800 x 600 x 1207	C_K_-R247248ELF	2,514	2,720
60 x 24 x 47 1/2	1500 x 600 x 1207	C_K_-R246048ELF	2,466	2,640

High-Gloss White finish option for drawer fronts and back (W): add \$336.

Packaged in 2 boxes.

Specify the surface type (5, 6). Specify the Gloss finish (W, N). Specify accent color (S, W).



W x D x H (in)	W x D x H (mm)	Code	All Laminate (\$)	HPL Surfaces (\$)
Return surface and storage module combos – 48" H				
<i>2 box drawers and 1 file drawer with suspension bar. Drawers open on the side. Bookcase above surface. Pencil tray. Lock.</i>				
72 x 36 x 47	1800 x 900 x 1195	C_N_-R367248UF_	2,551	2,835
60 x 36 x 47	1500 x 900 x 1195	C_N_-R366048UF_	2,514	2,750
72 x 30 x 47	1800 x 750 x 1195	C_N_-R307248UF_	2,450	2,696
60 x 30 x 47	1500 x 750 x 1195	C_N_-R306048UF_	2,418	2,623
72 x 24 x 47	1800 x 600 x 1195	C_N_-R247248UF_	2,355	2,551
60 x 24 x 47	1500 x 600 x 1195	C_N_-R246048UF_	2,331	2,489
Specify the surface type (1, 2). Specify the Gloss finish (W, N). Specify accent color (S, W). Choose left or right, add L or R at the end of the code.				
72 x 36 x 47½	1800 x 900 x 1207	C_N_-R367248UF_	2,733	3,040
60 x 36 x 47½	1500 x 900 x 1207	C_N_-R366048UF_	2,672	2,923
72 x 30 x 47½	1800 x 750 x 1207	C_N_-R307248UF_	2,616	2,866
60 x 30 x 47½	1500 x 750 x 1207	C_N_-R306048UF_	2,562	2,775
72 x 24 x 47½	1800 x 600 x 1207	C_N_-R247248UF_	2,489	2,696
60 x 24 x 47½	1500 x 600 x 1207	C_N_-R246048UF_	2,450	2,616

High-Gloss White finish option for drawer fronts and back (W): add \$336.

Packaged in 2 boxes.

W x D x H (in)	W x D x H (mm)	Code	All Laminate (\$)	HPL Surfaces (\$)
Return surface and storage module combos – 48" H with knife edge				
<i>Surface with knife edge. 2 box drawers and 1 file drawer with suspension bar. Drawers open on the side. Bookcase above surface. Pencil tray. Lock.</i>				
72 x 36 x 47½	1800 x 900 x 1207	C_K_-R367248UF_	2,923	3,224
60 x 36 x 47½	1500 x 900 x 1207	C_K_-R366048UF_	2,861	3,106
72 x 30 x 47½	1800 x 750 x 1207	C_K_-R307248UF_	2,812	3,060
60 x 30 x 47½	1500 x 750 x 1207	C_K_-R306048UF_	2,757	2,964
72 x 24 x 47½	1800 x 600 x 1207	C_K_-R247248UF_	2,701	2,891
60 x 24 x 47½	1500 x 600 x 1207	C_K_-R246048UF_	2,652	2,812
Specify the surface type (5, 6). Specify the Gloss finish (W, N). Specify accent color (S, W). Choose left or right, add L or R at the end of the code.				

High-Gloss White finish option for drawer fronts and back (W): add \$336.

Packaged in 2 boxes.

W x D x H (in)	W x D x H (mm)	Code	All Laminate (\$)	HPL Surfaces (\$)
Return surface and storage module combos – 61" H				
<i>2 box drawers and 1 file drawer with suspension bar. Drawers open at the end of the module. Bookcase and lift-up door above surface. Pencil tray. Lock.</i>				
72 x 36 x 60¾	1800 x 900 x 1545	C_N_-R367261ELUF	3,050	3,354
60 x 36 x 60¾	1500 x 900 x 1545	C_N_-R366061ELUF	3,011	3,264
72 x 30 x 60¾	1800 x 750 x 1545	C_N_-R307261ELUF	2,916	3,169
60 x 30 x 60¾	1500 x 750 x 1545	C_N_-R306061ELUF	2,885	3,098
72 x 24 x 60¾	1800 x 600 x 1545	C_N_-R247261ELUF	2,797	2,996
60 x 24 x 60¾	1500 x 600 x 1545	C_N_-R246061ELUF	2,768	2,930
Specify the surface type (1, 2). Specify the Gloss finish (W, N). Specify accent color (S, W).				
72 x 36 x 61¼	1800 x 900 x 1557	C_N_-R367261ELUF	3,249	3,566
60 x 36 x 61¼	1500 x 900 x 1557	C_N_-R366061ELUF	3,182	3,455
72 x 30 x 61¼	1800 x 750 x 1557	C_N_-R307261ELUF	3,089	3,359
60 x 30 x 61¼	1500 x 750 x 1557	C_N_-R306061ELUF	3,040	3,264
72 x 24 x 61¼	1800 x 600 x 1557	C_N_-R247261ELUF	2,939	3,153
60 x 24 x 61¼	1500 x 600 x 1557	C_N_-R246061ELUF	2,898	3,074

High-Gloss White finish option for drawer fronts and back (W): add \$336.

Packaged in 2 boxes.

W x D x H (in)	W x D x H (mm)	Code	All Laminate (\$)	HPL Surfaces (\$)
Return surface and storage module combos – 61" H with knife edge				
<i>Surface with knife edge. 2 box drawers and 1 file drawer with suspension bar. Drawers open at the end of the module. Bookcase and lift-up door above surface. Pencil tray. Lock.</i>				
72 x 36 x 61¼	1800 x 900 x 1557	C_K_-R367261ELUF	3,414	3,723
60 x 36 x 61¼	1500 x 900 x 1557	C_K_-R366061ELUF	3,354	3,604
72 x 30 x 61¼	1800 x 750 x 1557	C_K_-R307261ELUF	3,264	3,522
60 x 30 x 61¼	1500 x 750 x 1557	C_K_-R306061ELUF	3,216	3,422
72 x 24 x 61¼	1800 x 600 x 1557	C_K_-R247261ELUF	3,129	3,327
60 x 24 x 61¼	1500 x 600 x 1557	C_K_-R246061ELUF	3,080	3,249
Specify the surface type (5, 6). Specify the Gloss finish (W, N). Specify accent color (S, W).				

High-Gloss White finish option for drawer fronts and back (W): add \$336.

Packaged in 2 boxes.

W x D x H (in)	W x D x H (mm)	Code	All Laminate (\$)	HPL Surfaces (\$)
Return surface and storage module combos – 61" H				
<i>2 file drawers with suspension bars. Drawers open at the end of the module. Bookcase and lift-up door above surface. Lock.</i>				
72 x 36 x 60¾	1800 x 900 x 1545	C_N_-R367261ELF	2,916	3,224
60 x 36 x 60¾	1500 x 900 x 1545	C_N_-R366061ELF	2,877	3,129
72 x 30 x 60¾	1800 x 750 x 1545	C_N_-R307261ELF	2,788	3,040
60 x 30 x 60¾	1500 x 750 x 1545	C_N_-R306061ELF	2,757	2,964
72 x 24 x 60¾	1800 x 600 x 1545	C_N_-R247261ELF	2,664	2,866
60 x 24 x 60¾	1500 x 600 x 1545	C_N_-R246061ELF	2,640	2,805
Specify the surface type (1, 2). Specify the Gloss finish (W, N). Specify accent color (S, W).				
72 x 36 x 61¼	1800 x 900 x 1557	C_N_-R367261ELF	3,114	3,437
60 x 36 x 61¼	1500 x 900 x 1557	C_N_-R366061ELF	3,050	3,319
72 x 30 x 61¼	1800 x 750 x 1557	C_N_-R307261ELF	2,956	3,224
60 x 30 x 61¼	1500 x 750 x 1557	C_N_-R306061ELF	2,909	3,129
72 x 24 x 61¼	1800 x 600 x 1557	C_N_-R247261ELF	2,812	3,025
60 x 24 x 61¼	1500 x 600 x 1557	C_N_-R246061ELF	2,768	2,947
Specify the surface type (5, 6). Specify the Gloss finish (W, N). Specify accent color (S, W).				

High-Gloss White finish option for drawer fronts and back (W): add \$336.

Packaged in 2 boxes.

W x D x H (in)	W x D x H (mm)	Code	All Laminate (\$)	HPL Surfaces (\$)
Return surface and storage module combos – 61" H with knife edge				
<i>Surface with knife edge. 2 file drawers with suspension bars. Drawers open at the end of the module. Bookcase and lift-up door above surface. Lock.</i>				
72 x 36 x 61¼	1800 x 900 x 1557	C_K_-R367261ELF	3,286	3,593
60 x 36 x 61¼	1500 x 900 x 1557	C_K_-R366061ELF	3,224	3,477
72 x 30 x 61¼	1800 x 750 x 1557	C_K_-R307261ELF	3,145	3,397
60 x 30 x 61¼	1500 x 750 x 1557	C_K_-R306061ELF	3,089	3,293
72 x 24 x 61¼	1800 x 600 x 1557	C_K_-R247261ELF	3,001	3,201
60 x 24 x 61¼	1500 x 600 x 1557	C_K_-R246061ELF	2,956	3,119
Specify the surface type (5, 6). Specify the Gloss finish (W, N). Specify accent color (S, W).				

High-Gloss White finish option for drawer fronts and back (W): add \$336.

Packaged in 2 boxes.

W x D x H (in)	W x D x H (mm)	Code	All Laminate (\$)	HPL Surfaces (\$)
Return surface and storage module combos – 61" H				
<i>2 box drawers and 1 file drawer with suspension bar. Drawers open on the side. Bookcase and lift-up door above surface. Pencil tray. Lock.</i>				
72 x 36 x 60¾	1800 x 900 x 1545	C_N_-R367261UF_	3,040	3,332
60 x 36 x 60¾	1500 x 900 x 1545	C_N_-R366061UF_	3,011	3,249
72 x 30 x 60¾	1800 x 750 x 1545	C_N_-R307261UF_	2,923	3,161
60 x 30 x 60¾	1500 x 750 x 1545	C_N_-R306061UF_	2,885	3,089
72 x 24 x 60¾	1800 x 600 x 1545	C_N_-R247261UF_	2,797	2,996
60 x 24 x 60¾	1500 x 600 x 1545	C_N_-R246061UF_	2,775	2,930
Specify the surface type (1, 2). Specify the Gloss finish (W, N). Specify accent color (S, W). Choose left or right, add L or R at the end of the code.				

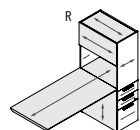
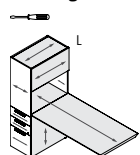
High-Gloss White finish option for drawer fronts and back (W): add \$336.

Packaged in 2 boxes.

	W x D x H (in)	W x D x H (mm)	Code	All Laminate (\$)	HPL Surfaces (\$)
Return surface and storage module combos – 61" H (cont'd)	72 x 36 x 61¼	1800 x 900 x 1557	C_N_-R367261UF_	3,241	3,546
	60 x 36 x 61¼	1500 x 900 x 1557	C_N_-R366061UF_	3,175	3,428
	72 x 30 x 61¼	1800 x 750 x 1557	C_N_-R307261UF_	3,089	3,340
	60 x 30 x 61¼	1500 x 750 x 1557	C_N_-R306061UF_	3,035	3,249
	72 x 24 x 61¼	1800 x 600 x 1557	C_N_-R247261UF_	2,947	3,153
	60 x 24 x 61¼	1500 x 600 x 1557	C_N_-R246061UF_	2,898	3,074

Specify the surface type (5, 6). Specify the Gloss finish (W, N). Specify accent color (S, W). Choose left or right, add L or R at the end of the code.

Return surface and storage module combos – 61" H with knife edge



High-Gloss White finish option for drawer fronts and back (W): add \$336.

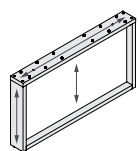
Packaged in 2 boxes.

Surface with knife edge. 2 box drawers and 1 file drawer with suspension bar. Drawers open on the side. Bookcase and lift-up door above surface. Pencil tray. Lock.

	W x D x H (in)	W x D x H (mm)	Code	All Laminate (\$)	HPL Surfaces (\$)
	72 x 36 x 61¼	1800 x 900 x 1557	C_K_-R367261UF_	3,407	3,696
	60 x 36 x 61¼	1500 x 900 x 1557	C_K_-R366061UF_	3,340	3,586
	72 x 30 x 61¼	1800 x 750 x 1557	C_K_-R307261UF_	3,264	3,510
	60 x 30 x 61¼	1500 x 750 x 1557	C_K_-R306061UF_	3,208	3,414
	72 x 24 x 61¼	1800 x 600 x 1557	C_K_-R247261UF_	3,129	3,327
	60 x 24 x 61¼	1500 x 600 x 1557	C_K_-R246061UF_	3,080	3,241

Specify the surface type (5, 6). Specify the Gloss finish (W, N). Specify accent color (S, W). Choose left or right, add L or R at the end of the code.

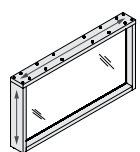
NEW YORK double-sided laminate bases



1 end base, goes under double-sided surfaces.

	W x D x H (in)	W x D x H (mm)	Code	All Laminate (\$)	HPL Surfaces (\$)
	60 x 6 x 28	1500 x 150 x 719	CNNNS-CBDM60	1,472	–
	54 x 6 x 28	1350 x 150 x 719	CNNNS-CBDM54	1,453	–

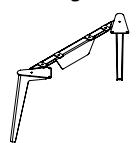
NEW YORK double-sided combined bases



1 end base, goes under double-sided surfaces. Translucent acrylic insert with Silver anodized aluminum frame. 1 tone only.

	W x D x H (in)	W x D x H (mm)	Code	All Laminate (\$)	HPL Surfaces (\$)
	60 x 6 x 28	1500 x 150 x 719	CNNNS-CBDT60	2,252	–
	54 x 6 x 28	1350 x 150 x 719	CNNNS-CBDT54	2,219	–

MONTREAL double-sided angled bases



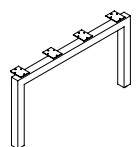
1 end base, goes under double-sided surfaces. Painted steel.

	W x D x H (in)	W x D x H (mm)	Code	All Laminate (\$)	HPL Surfaces (\$)
	60 x 6 x 28	1500 x 150 x 719	CNNN_-ABD60	1,423	–
	54 x 6 x 28	1350 x 150 x 719	CNNN_-ABD54	1,370	–

Specify accent color (S, W).

Packaged in 3 boxes.

CHICAGO metal U-shaped double-sided bases



1 end base, goes under double-sided surfaces. Painted steel.

	W x D x H (in)	W x D x H (mm)	Code	All Laminate (\$)	HPL Surfaces (\$)
	60 x 6 x 28	1500 x 150 x 719	CNNN_-QBD60	1,344	–
	54 x 6 x 28	1350 x 150 x 719	CNNN_-QBD54	1,288	–

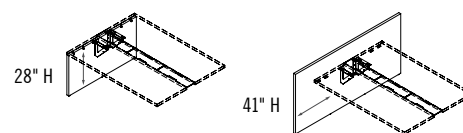
Specify accent color (S, W).

Double-sided end panel bases

90" base compatible with 60" surfaces.
84" base compatible with 54" surfaces.

W x D x H (in)	W x D x H (mm)	Code	All Laminate (\$)	HPL Surfaces (\$)
----------------	----------------	------	-------------------	-------------------

Full 1½" (38 mm) thick end panel. Go under double-sided surfaces. Hardware included.

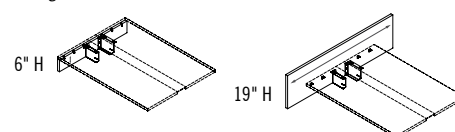


60 x 1½ x 28	1500 x 38 x 719	CNNNS-LED6028	642	–
54 x 1½ x 28	1350 x 38 x 719	CNNNS-LED5428	602	–
90 x 1½ x 41	2250 x 38 x 1042	CNNNS-LED9041	1,035	–
84 x 1½ x 41	2100 x 38 x 1042	CNNNS-LED8441	963	–

Double-sided end panel bases to stack on low storage module

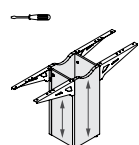
90" base compatible with 60" surfaces.
84" base compatible with 54" surfaces.

1½" (38 mm) thick end panel. Go under double-sided surfaces and stack on low storage module. Hardware included.



60 x 1½ x 6¼	1500 x 38 x 158	CNNNS-LED6006	492	–
54 x 1½ x 6¼	1350 x 38 x 158	CNNNS-LED5406	475	–
90 x 1½ x 19	2250 x 38 x 481	CNNNS-LED9019	799	–
84 x 1½ x 19	2100 x 38 x 481	CNNNS-LED8419	758	–

Center base with wire management for double-sided surfaces



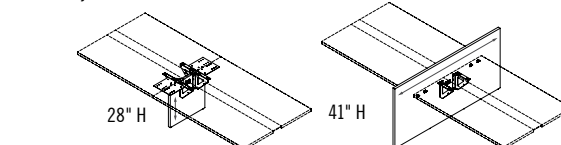
Goes under 2 double-sided surfaces. This base allows to connect electric cables to a floor outlet. Includes door with 110° hinges and a locked storage module. Include 2 cantilevers kits. 1 tone only.

12 x 12 x 28	300 x 300 x 719	CNNNS-LBD1212WM	1,359	–
--------------	-----------------	------------------------	--------------	---

Center panel bases for double-sided surfaces

90" base compatible with 60" surfaces.
84" base compatible with 54" surfaces.

Go at the junction of double-sided surfaces. Hardware included.

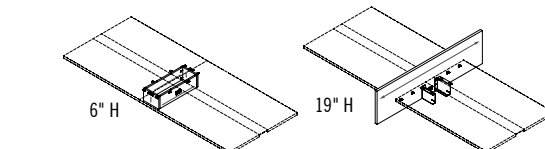


28 x 1½ x 28	690 x 38 x 719	CNNNS-LCD2828	830	–
90 x 1½ x 41	2250 x 38 x 1042	CNNNS-LCD9042	1,382	–
84 x 1½ x 41	2100 x 38 x 1042	CNNNS-LCD8442	1,344	–

Center panel bases for double-sided surfaces to stack on low storage module

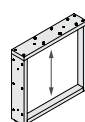
31" and 90" bases compatible with 60" surfaces.
28" and 84" bases compatible with 54" surfaces.

Go at the junction of double-sided surfaces. Stack on low storage module. Hardware included.



28 x 12 x 6	705 x 305 x 158	CNNNS-LCD2806	870	–
31 x 12 x 6	781 x 305 x 158	CNNNS-LCD3106	884	–
90 x 1½ x 19	2250 x 38 x 481	CNNNS-LCD9019	1,051	–
84 x 1½ x 19	2100 x 38 x 481	CNNNS-LCD8419	1,020	–

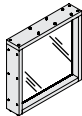
NEW YORK single-sided laminate base

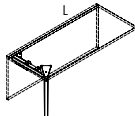


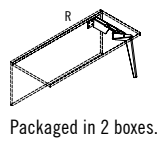
1 end base, goes under single-sided surfaces.


30 x 6 x 28	750 x 150 x 719	CNNNS-CBSM30	1,297	–
-------------	-----------------	---------------------	--------------	---

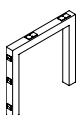


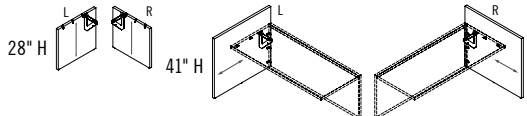
	W x D x H (in)	W x D x H (mm)	Code	All Laminates (\$)	HPL Surfaces (\$)
NEW YORK single-sided combined base	<i>1 end base, goes under single-sided surfaces. Translucent acrylic insert with Silver anodized aluminum frame. 1 tone only.</i>				
	30 x 6 x 28	750 x 150 x 719	CNNS-CBST30	1,724	-

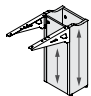
MONTRÉAL single-sided angled metal base	<i>1 end base, goes under single-sided surfaces. Painted steel.</i>				
	30 x 6 x 28	750 x 150 x 719	CNNN_ABS30	1,193	-
	Specify accent color (S, W). Choose left or right, add L or R at the end of the code.				

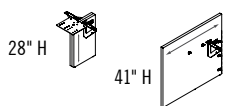



MONTRÉAL angled metal base	<i>Painted steel. Leg only, no beam.</i>				
	6 x 6 x 28	150 x 150 x 719	CNNN_AB	480	-
	Specify accent color (S, W).				

Chicago U-shaped single-sided metal base	<i>1 end base. Goes under single-sided surfaces. Painted steel.</i>				
	30 x 6 x 28	750 x 150 x 719	CNNN_QBS30	1,108	-
	Specify accent color (S, W).				

Single-sided end panel bases	<i>Full 1/2" (38 mm) thick end panel. To be used with single-sided surfaces. Hardware included.</i>				
	28" H	41" H			
	30 x 1 1/2 x 28	750 x 38 x 719	CNNS-LES3028	418	-
	46 x 1 1/2 x 41	1172 x 38 x 1042	CNNS-LES4641	672	-
	Choose left or right, add L or R at the end of the code.				

Center base with wire management for single-sided surfaces	<i>To be used at the junction of 2 single-sided surfaces. This base allows the connection of electric cables to a floor outlet. Includes door with 110° hinges and a lockable storage module. 6" (150 mm) recessed bottom. Includes 1 cantilever kit. 1 tone only.</i>				
	12 x 9 x 28	300 x 234 x 719	CNNS-LBS912WM	996	-

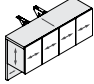
Center panel bases for single-sided surfaces	<i>1/2" (38 mm) thick end panel. Go at the junction of single-sided surfaces. Hardware included.</i>				
	28" H	41" H			
	17 x 3 x 28	429 x 76 x 719	CNNS-LCS1728	602	-
	46 x 1 1/2 x 41	1172 x 38 x 1042	CNNS-LCS4641	844	-

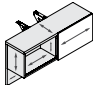
	W x D x H (in)	W x D x H (mm)	Code	All Laminates (\$)	HPL Surfaces (\$)
End-base extensions with storage module	<i>To be used with double-sided surfaces. Open bookcase.</i>				
	60 x 15 x 29 7/8	1500 x 375 x 745	C_NNS-EXR602915	1,327	1,437
	54 x 15 x 29 7/8	1350 x 375 x 745	C_NNS-EXR542915	1,288	1,382

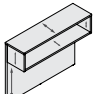
Specify the surface type (1, 2).

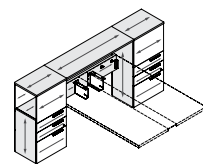
	60 x 15 x 29 7/8	1500 x 375 x 757	C_NNS-EXR602915	1,408	1,517
	54 x 15 x 29 7/8	1350 x 375 x 757	C_NNS-EXR542915	1,359	1,462

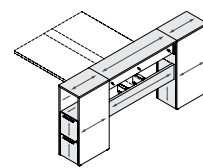
Specify the surface type (5, 6).

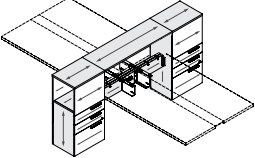
End-base extensions with storage module	<i>To be used with double-sided surfaces. Bookcase with doors.</i>				
	60 x 15 3/4 x 29 7/8	1500 x 393 x 745	C_N_S-EXR602915P	1,967	2,062
	54 x 15 3/4 x 29 7/8	1350 x 393 x 745	C_N_S-EXR542915P	1,895	1,983
	Specify the surface type (1, 2). Specify the Gloss finish (W, N).				
	60 x 15 3/4 x 29 7/8	1500 x 393 x 757	C_N_S-EXR602915P	2,023	2,117
	54 x 15 3/4 x 29 7/8	1350 x 393 x 757	C_N_S-EXR542915P	1,944	2,038
	Specify the surface type (5, 6). Specify the Gloss finish (W, N).				

End-base extensions with storage module	<i>To be used with double-sided surfaces. Bookcase with sliding door.</i>				
	60 x 15 3/4 x 29 7/8	1500 x 393 x 745	C_N_S-EXR602915C	1,818	1,928
	54 x 15 3/4 x 29 7/8	1350 x 393 x 745	C_N_S-EXR542915C	1,716	1,808
	Specify the surface type (1, 2). Specify the Gloss finish (W, N).				
	60 x 15 3/4 x 29 7/8	1500 x 393 x 757	C_N_S-EXR602915C	1,874	1,983
	54 x 15 3/4 x 29 7/8	1350 x 393 x 757	C_N_S-EXR542915C	1,760	1,855
	Specify the surface type (5, 6). Specify the Gloss finish (W, N).				

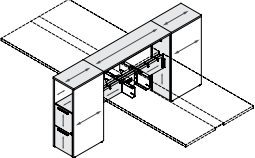
End-base extensions with storage module - 41" H	<i>To be used with double-sided surfaces. Open bookcase 10" (250 mm).</i>				
	60 x 15 x 41	1500 x 375 x 1042	C_NNS-EXR604115	1,382	1,491
	54 x 15 x 41	1350 x 375 x 1042	C_NNS-EXR544115	1,312	1,408
	Specify the surface type (1, 2).				

Storage end base modules for double-sided surfaces	<i>Storage end base modules. Support double-sided surfaces and divide space. 2 box drawers and 1 file drawer with suspension bar. Drawers open on the side. Bookcase above surface. Pencil trays. Locks. 108"L (2700 mm) compatible with 60"D (1500 mm) surfaces and 102"L (2550 mm) compatible with 54"D (1350 mm).</i>				
					
	108 x 18 x 47 1/2	2700 x 450 x 1207	C_N_PRET1084818UF	5,009	5,304
	102 x 18 x 47 1/2	2550 x 450 x 1207	C_N_PRET1024818UF	4,788	5,167
	Specify the surface type (1, 2). Specify the Gloss finish (W, N). Specify accent color (S, W).				

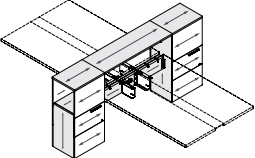
Storage end base modules for double-sided surfaces	<i>Storage end base modules. Support double-sided surfaces and divide space. 2 file drawers with suspension bars. Drawers open at the end of the module. Bookcase above surface. Locks. 108"L (2700 mm) compatible with 60"D (1500 mm) surfaces and 102"L (2550 mm) compatible with 54"D (1350 mm).</i>				
					
	108 x 16 x 47 1/2	2700 x 409 x 1207	C_N_PRET1084816EFF	4,669	5,032
	102 x 16 x 47 1/2	2550 x 409 x 1207	C_N_PRET1024816EFF	4,560	4,899
	Specify the surface type (1, 2). Specify the Gloss finish (W, N). Specify accent color (S, W).				

W x D x H (in)	W x D x H (mm)	Code	All Laminate (\$)	HPL Surfaces (\$)
Storage center base modules for double-sided surfaces				
<i>Go at the junction of double-sided surfaces. 2 box drawers and 1 file drawer with suspension bar. Drawers open on the side. Bookcase above surface. Pencil trays. Locks. 108"L (2700 mm) compatible with 60"D (1500 mm) surfaces and 102"L (2550 mm) compatible with 54"D (1350 mm).</i>				
High-Gloss White finish option for drawer fronts and back (W): add \$631.				
Packaged in 3 boxes.				
				
108 x 18 x 47½	2700 x 450 x 1207	C_N_-PRCT1084818UF	5,284	5,697
102 x 18 x 47½	2550 x 450 x 1207	C_N_-PRCT1024818UF	5,160	5,544

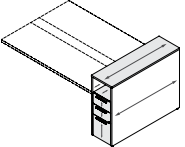
Specify the surface type (1, 2). Specify the Gloss finish (W, N). Specify accent color (S, W).

W x D x H (in)	W x D x H (mm)	Code	All Laminate (\$)	HPL Surfaces (\$)
Storage center base modules for double-sided surfaces				
<i>Go at the junction of double-sided surfaces. 2 file drawers with suspension bars. Drawers open at the end of the module. Bookcase above surface. Locks. 108"L (2700 mm) compatible with 60"D (1500 mm) surfaces and 102"L (2550 mm) compatible with 54"D (1350 mm).</i>				
High-Gloss White finish option (W): add \$631.				
Packaged in 3 boxes.				
				
108 x 16 x 47½	2700 x 409 x 1207	C_N_-PRCT1084816EFF	5,058	5,433
102 x 16 x 47½	2550 x 409 x 1207	C_N_-PRCT1024816EFF	4,929	5,284

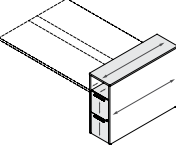
Specify the surface type (1, 2). Specify the Gloss finish (W, N). Specify accent color (S, W).

W x D x H (in)	W x D x H (mm)	Code	All Laminate (\$)	HPL Surfaces (\$)
Storage center base modules for double-sided surfaces				
<i>Go at the junction of double-sided surfaces. 1 file drawer with suspension bar on each side. Drawers open on the sides. Bookcase above surface. Locks. 108"L (2700 mm) compatible with 60"D (1500 mm) surfaces and 102"L (2550 mm) compatible with 54"D (1350 mm).</i>				
High-Gloss White finish option for drawer fronts and back (W): add \$631.				
Packaged in 3 boxes.				
				
108 x 18 x 47½	2700 x 450 x 1207	C_N_-PRCT1084818FM	5,064	5,467
102 x 18 x 47½	2550 x 450 x 1207	C_N_-PRCT1024818FM	4,941	5,318

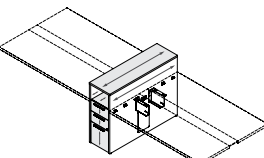
Specify the surface type (1, 2). Specify the Gloss finish (W, N). Specify accent color (S, W).

W x D x H (in)	W x D x H (mm)	Code	All Laminate (\$)	HPL Surfaces (\$)
Pedestal bases for double-sided surfaces				
<i>Support double-sided surfaces and divide space. 2 box drawers and 1 file drawer with suspension bar. Drawers open at the end of the module. Open space. Integrated wire management. Pencil trays. Locks.</i>				
High-Gloss White finish option (W): add \$631.				
				
60 x 16 x 41	1500 x 409 x 1042	C_N_-CRE604116EUF	3,769	3,881
54 x 16 x 41	1350 x 409 x 1042	C_N_-CRE544116EUF	3,674	3,778

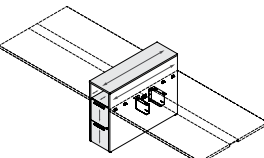
Specify the surface type (1, 2). Specify the Gloss finish (W, N). Specify accent color (S, W).

W x D x H (in)	W x D x H (mm)	Code	All Laminate (\$)	HPL Surfaces (\$)
Pedestal bases for double-sided surfaces				
<i>Support double-sided surfaces and divide space. 2 file drawers with suspension bars. Drawers open at the end of the module. Open space. Integrated wire management. Locks.</i>				
High-Gloss White finish option (W): add \$631.				
				
60 x 16 x 41	1500 x 409 x 1042	C_N_-CRE604116EFF	3,483	3,604
54 x 16 x 41	1350 x 409 x 1042	C_N_-CRE544116EFF	3,407	3,510

Specify the surface type (1, 2). Specify the Gloss finish (W, N). Specify accent color (S, W).

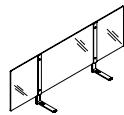
W x D x H (in)	W x D x H (mm)	Code	All Laminate (\$)	HPL Surfaces (\$)
Pedestal bases for double-sided surfaces				
<i>Go at the junction of double-sided and divide space. 2 box drawer and 1 file drawers with suspension bar. Drawers open at the end of the module. Open space. Integrated wire management. Pencil trays. Locks.</i>				
High-Gloss White finish option (W): add \$631.				
				
60 x 16 x 41	1500 x 409 x 1042	C_N_-CRC604116EUF	4,085	4,196
54 x 16 x 41	1350 x 409 x 1042	C_N_-CRC544116EUF	3,989	4,092

Specify the surface type (1, 2). Specify the Gloss finish (W, N). Specify accent color (S, W).

W x D x H (in)	W x D x H (mm)	Code	All Laminate (\$)	HPL Surfaces (\$)
Pedestal bases for double-sided surfaces				
<i>Go at the junction of double-sided and divide space. 2 file drawers with suspension bars. Drawers open at the end of the module. Open space. Integrated wire management. Locks.</i>				
High-Gloss White finish option (W): add \$631.				
				
60 x 16 x 41	1500 x 409 x 1042	C_N_-CRC604116EFF	3,801	3,919
54 x 16 x 41	1350 x 409 x 1042	C_N_-CRC544116EFF	3,715	3,817

Specify the surface type (1, 2). Specify the Gloss finish (W, N). Specify accent color (S, W).

W x D x H (in)	W x D x H (mm)	Code	All Laminate (\$)	HPL Surfaces (\$)
End of double-sided surface screens – 18" H				
<i>Acrylic screens with metal supports to go at the end of a double-sided surface.</i>				
60 x ¾ x 18	1500 x 6 x 450	CNNN_-SCET6018	1,113	–
54 x ¾ x 18	1350 x 6 x 450	CNNN_-SCET5418	1,064	–



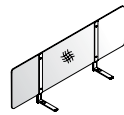
Specify accent color (S, W).

W x D x H (in)	W x D x H (mm)	Code	All Laminate (\$)	HPL Surfaces (\$)
End of double-sided surface screens – 18" H				
<i>Fabric screens with metal supports to go at the end of a double-sided surface. These prices are applicable for United Chair® Grade 1 and 2 fabrics. For other United Chair® grades add: Grade 3: 15%, Grade 4: 20%, Grade 5: 25%, Grade 6: 30%, Grade 8: 35%.</i>				
60 x ¾ x 18	1500 x 19 x 450	CNNN_-SCEF6018	1,177	–
54 x ¾ x 18	1350 x 19 x 450	CNNN_-SCEF5418	1,108	–



Specify accent color (S, W). Specify the fabric code after the product code.

W x D x H (in)	W x D x H (mm)	Code	All Laminate (\$)	HPL Surfaces (\$)
End of double-sided surface screens – 18" H				
<i>Felt screens with metal supports to go at the end of a double-sided surface.</i>				
60 x ½ x 18	1500 x 12 x 450	CNNN_-SCEFF6018	1,113	–
54 x ½ x 18	1350 x 12 x 450	CNNN_-SCEFF5418	1,064	–



Specify accent color (S, W). Specify the felt code after the product code.



	W x D x H (in)	W x D x H (mm)	Code	All Laminate (\$)	HPL Surfaces (\$)
End of single-sided surface screen – 18" H	<i>Acrylic screen with metal supports to go at the end of a single-sided surface.</i>				
	31 x 1/4 x 18	797 x 6 x 450	CNNN_-SCET3118	1,058	–
	Specify accent color (S, W).				



	W x D x H (in)	W x D x H (mm)	Code	All Laminate (\$)	HPL Surfaces (\$)
End of single-sided surface screen – 18" H	<i>Fabric screen with metal supports to go at the end of a single-sided surface. These prices are applicable for United Chair® Grade 1 and 2 fabrics. For other United Chair® grades add: Grade 3: 15%, Grade 4: 20%, Grade 5: 25%, Grade 6: 30%, Grade 8: 35%.</i>				
	31 x 3/4 x 18	797 x 19 x 450	CNNN_-SCEF3118	1,075	–
	Specify accent color (S, W). Specify the fabric code after the product code.				



	W x D x H (in)	W x D x H (mm)	Code	All Laminate (\$)	HPL Surfaces (\$)
End of single-sided surface screen – 18" H	<i>Felt screen with metal supports to go at the end of a double-sided surface.</i>				
	31 x 1/2 x 18	797 x 12 x 450	CNNN_-SCEF3118	1,058	–
	Specify accent color (S, W). Specify the felt code after the product code.				



	W x D x H (in)	W x D x H (mm)	Code	All Laminate (\$)	HPL Surfaces (\$)
Privacy screens	<i>Acrylic translucent screens supported by metal stabilizer feet in a painted finish. Divide face-to-face individual workspaces</i>				
	48 x 1/4 x 18	1200 x 6 x 450	CNNN_-SCT4818	733	–
	36 x 1/4 x 18	900 x 6 x 450	CNNN_-SCT3618	703	–
	30 x 1/4 x 18	750 x 6 x 450	CNNN_-SCT3018	665	–
	24 x 1/4 x 18	600 x 6 x 450	CNNN_-SCT2418	631	–
	18 x 1/4 x 18	450 x 6 x 450	CNNN_-SCT1818	584	–
	48 x 1/4 x 11	1200 x 6 x 285	CNNN_-SCT4811	647	–
	36 x 1/4 x 11	900 x 6 x 285	CNNN_-SCT3611	616	–
	30 x 1/4 x 11	750 x 6 x 285	CNNN_-SCT3011	568	–
	24 x 1/4 x 11	600 x 6 x 285	CNNN_-SCT2411	538	–
	18 x 1/4 x 11	450 x 6 x 285	CNNN_-SCT1811	498	–
	Specify accent color (S, W).				



	W x D x H (in)	W x D x H (mm)	Code	All Laminate (\$)	HPL Surfaces (\$)
Privacy screens	<i>Fabric screens supported by metal stabilizer feet in a painted finish. Divide face-to-face individual workspaces. These prices are applicable for United Chair® Grade 1 and 2 fabrics. For other United Chair® grades add: Grade 3: 15%, Grade 4: 20%, Grade 5: 25%, Grade 6: 30%, Grade 8: 35%.</i>				
	48 x 3/4 x 18	1200 x 19 x 450	CNNN_-SCF4818	758	–
	36 x 3/4 x 18	900 x 19 x 450	CNNN_-SCF3618	727	–
	30 x 3/4 x 18	750 x 19 x 450	CNNN_-SCF3018	695	–
	24 x 3/4 x 18	600 x 19 x 450	CNNN_-SCF2418	655	–
	18 x 3/4 x 18	450 x 19 x 450	CNNN_-SCF1818	625	–
	48 x 3/4 x 11	1200 x 19 x 285	CNNN_-SCF4811	672	–
	36 x 3/4 x 11	900 x 19 x 285	CNNN_-SCF3611	642	–
	30 x 3/4 x 11	750 x 19 x 285	CNNN_-SCF3011	602	–
	24 x 3/4 x 11	600 x 19 x 285	CNNN_-SCF2411	562	–
	18 x 3/4 x 11	450 x 19 x 285	CNNN_-SCF1811	530	–
	Specify accent color (S, W). Specify the fabric code after the product code.				



	W x D x H (in)	W x D x H (mm)	Code	All Laminate (\$)	HPL Surfaces (\$)
Privacy screens	<i>Felt screens supported by metal stabilizer feet in a painted finish. Divide face-to-face individual workspaces</i>				
	48 x 1/2 x 18	1200 x 12 x 450	CNNN_-SCFF4818	733	–
	36 x 1/2 x 18	900 x 12 x 450	CNNN_-SCFF3618	703	–
	30 x 1/2 x 18	750 x 12 x 450	CNNN_-SCFF3018	665	–
	24 x 1/2 x 18	600 x 12 x 450	CNNN_-SCFF2418	631	–
	18 x 1/2 x 18	450 x 12 x 450	CNNN_-SCFF1818	584	–



	W x D x H (in)	W x D x H (mm)	Code	All Laminate (\$)	HPL Surfaces (\$)
Privacy screens (cont'd)	48 x 1/2 x 11	1200 x 12 x 285	CNNN_-SCFF4811	647	–
	36 x 1/2 x 11	900 x 12 x 285	CNNN_-SCFF3611	616	–
	30 x 1/2 x 11	750 x 12 x 285	CNNN_-SCFF3011	568	–
	24 x 1/2 x 11	600 x 12 x 285	CNNN_-SCFF2411	538	–
	18 x 1/2 x 11	450 x 12 x 285	CNNN_-SCFF1811	498	–
	Specify accent color (S, W). Specify the felt code after the product code.				

	W x D x H (in)	W x D x H (mm)	Code	All Laminate (\$)	HPL Surfaces (\$)
Privacy lateral screens	<i>Acrylic translucent screens supported by metal stabilizer feet and clip in a painted finish. Divide side-to-side individual workspaces.</i>				
	24 x 1/4 x 18	600 x 6 x 450	CNNN_-SCCT2418	655	–
	21 x 1/4 x 18	525 x 6 x 450	CNNN_-SCCT2118	631	–
	18 x 1/4 x 18	450 x 6 x 450	CNNN_-SCCT1818	625	–
	15 x 1/4 x 18	375 x 6 x 450	CNNN_-SCCT1518	609	–
	24 x 1/4 x 11	600 x 6 x 285	CNNN_-SCCT2411	562	–
	21 x 1/4 x 11	525 x 6 x 285	CNNN_-SCCT2111	546	–
	18 x 1/4 x 11	450 x 6 x 285	CNNN_-SCCT1811	530	–
	15 x 1/4 x 11	375 x 6 x 285	CNNN_-SCCT1511	513	–
	Specify accent color (S, W).				



	W x D x H (in)	W x D x H (mm)	Code	All Laminate (\$)	HPL Surfaces (\$)
Privacy lateral screens	<i>Fabric screens supported by metal stabilizer feet and clip in a painted finish. Divide side-to-side individual workspaces. These prices are applicable for United Chair® Grade 1 and 2 fabrics. For other United Chair® grades add: Grade 3: 15%, Grade 4: 20%, Grade 5: 25%, Grade 6: 30%, Grade 8: 35%.</i>				
	24 x 3/4 x 18	600 x 19 x 450	CNNN_-SCCF2418	687	–
	21 x 3/4 x 18	525 x 19 x 450	CNNN_-SCCF2118	665	–
	18 x 3/4 x 18	450 x 19 x 450	CNNN_-SCCF1818	647	–
	15 x 3/4 x 18	375 x 19 x 450	CNNN_-SCCF1518	631	–
	24 x 3/4 x 11	600 x 19 x 285	CNNN_-SCCF2411	584	–
	21 x 3/4 x 11	525 x 19 x 285	CNNN_-SCCF2111	568	–
	18 x 3/4 x 11	450 x 19 x 285	CNNN_-SCCF1811	553	–
	15 x 3/4 x 11	375 x 19 x 285	CNNN_-SCCF1511	538	–
	Specify accent color (S, W). Specify the fabric code after the product code.				



	W x D x H (in)	W x D x H (mm)	Code	All Laminate (\$)	HPL Surfaces (\$)
Privacy lateral screens	<i>Felt screens supported by metal stabilizer feet and clip in a painted finish. Divide side-to-side individual workspaces.</i>				
	24 x 1/2 x 18	600 x 12 x 450	CNNN_-SCCF2418	655	–
	21 x 1/2 x 18	525 x 12 x 450	CNNN_-SCCF2118	631	–
	18 x 1/2 x 18	450 x 12 x 450	CNNN_-SCCF1818	625	–
	15 x 1/2 x 18	375 x 12 x 450	CNNN_-SCCF1518	609	–
	24 x 1/2 x 11	600 x 12 x 285	CNNN_-SCCF2411	562	–
	21 x 1/2 x 11	525 x 12 x 285	CNNN_-SCCF2111	546	–
	18 x 1/2 x 11	450 x 12 x 285	CNNN_-SCCF1811	530	–
	15 x 1/2 x 11	375 x 12 x 285	CNNN_-SCCF1511	513	–
	Specify accent color (S, W). Specify the felt code after the product code.				





	W x D x H (in)	W x D x H (mm)	Code	All Laminate (\$)	HPL Surfaces (\$)
Add-on counters with off-centered back	<i>1" (25 mm) thick melamine, acrylic back. To be used at the end of double-sided surfaces.</i>				
	60 x 15 x 18	1500 x 375 x 450	C_NNS-MCET601815	941	1,064
	54 x 15 x 18	1350 x 375 x 450	C_NNS-MCET541815	909	1,029
	60 x 12 x 11	1500 x 300 x 285	C_NNS-MCET601112	916	1,044
	54 x 12 x 11	1350 x 300 x 285	C_NNS-MCET541112	893	1,010
	Specify the surface type (1, 2).				

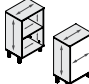
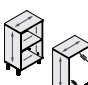


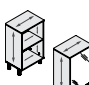
	W x D x H (in)	W x D x H (mm)	Code	All Laminate (\$)	HPL Surfaces (\$)
Add-on counters with centered back	<i>1" (25 mm) thick melamine, acrylic back. To be used on double-sided surfaces to divide space. 1 tone only.</i>				
	60 x 18 x 18	1500 x 450 x 450	C_NNS-MCCT601818	1,029	1,193
	54 x 18 x 18	1350 x 450 x 450	C_NNS-MCCT541818	996	1,155
	60 x 18 x 11	1500 x 450 x 285	C_NNS-MCCT601118	1,005	1,169
	54 x 18 x 11	1350 x 450 x 285	C_NNS-MCCT541118	972	1,130
	Specify the surface type (1, 2).				

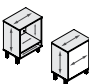




	W x D x H (in)	W x D x H (mm)	Code	All Laminate (\$)	HPL Surfaces (\$)
Double-sided accessory rails 	<i>Silver aluminum finish and laminate ends. Allow accessories utilisation on both sides of a double-sided surface and create visual privacy. (Refer to Lacasse general price book for accessories). 1 tone only.</i>				
	72 x 13 x 11	1800 x 325 x 285	CNNNS-RAD7211	1,382	—
	66 x 13 x 11	1650 x 325 x 285	CNNNS-RAD6611	1,344	—
	60 x 13 x 11	1500 x 325 x 285	CNNNS-RAD6011	1,297	—
	54 x 13 x 11	1350 x 325 x 285	CNNNS-RAD5411	1,264	—
	48 x 13 x 11	1200 x 325 x 285	CNNNS-RAD4811	1,224	—
	42 x 13 x 11	1050 x 325 x 285	CNNNS-RAD4211	1,193	—
	36 x 13 x 11	900 x 325 x 285	CNNNS-RAD3611	1,155	—
	30 x 13 x 11	750 x 325 x 285	CNNNS-RAD3011	1,113	—
	24 x 13 x 11	600 x 325 x 285	CNNNS-RAD2411	1,084	—

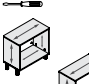

	W x D x H (in)	W x D x H (mm)	Code	All Laminate (\$)	HPL Surfaces (\$)
Single-sided accessory rails 	<i>Silver aluminum finish and laminate ends. Allow accessories utilisation on single-sided surfaces. (Refer to Lacasse general price book for accessories). 1 tone only.</i>				
	72 x 11 x 11	1800 x 285 x 285	CNNNS-RAS7211	1,010	—
	66 x 11 x 11	1650 x 285 x 285	CNNNS-RAS6611	972	—
	60 x 11 x 11	1500 x 285 x 285	CNNNS-RAS6011	934	—
	54 x 11 x 11	1350 x 285 x 285	CNNNS-RAS5411	893	—
	48 x 11 x 11	1200 x 285 x 285	CNNNS-RAS4811	855	—
	42 x 11 x 11	1050 x 285 x 285	CNNNS-RAS4211	823	—
	36 x 11 x 11	900 x 285 x 285	CNNNS-RAS3611	789	—
	30 x 11 x 11	750 x 285 x 285	CNNNS-RAS3011	745	—
	24 x 11 x 11	600 x 285 x 285	CNNNS-RAS2411	712	—

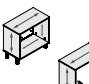
	W x D x H (in)	W x D x H (mm)	Code	All Laminate (\$)	HPL Surfaces (\$)
Surface height bookcases – 30" H 	<i>Laminate back</i>				
	<i>Silver anodized aluminum feet. 1 tone only. 1 fixed shelf. Storage space for 2 binders high.</i>				
	18 x 13 x 30	450 x 325 x 762	CNNNS-EBM3018	884	—
Surface height bookcases – 30" H 	<i>White board on back</i>				
	<i>Silver anodized aluminum feet. 1 tone only. 1 fixed shelf. Storage space for 2 binders high.</i>				
	18 x 13 x 30	450 x 325 x 762	CNNNS-EBW3018	980	—

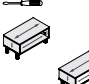
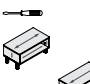
	W x D x H (in)	W x D x H (mm)	Code	All Laminate (\$)	HPL Surfaces (\$)
Surface height bookcases – 30" H 	<i>Translucent insert with Silver anodized aluminum framed. Silver anodized aluminum feet. 1 tone only. 1 fixed shelf. Storage space for 2 binders high.</i>				
	18 x 13 x 30	450 x 325 x 762	CNNNS-EBT3018	1,044	—

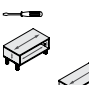
	W x D x H (in)	W x D x H (mm)	Code	All Laminate (\$)	HPL Surfaces (\$)
Surface height bookcases – 24" H 	<i>Laminate back</i>				
	<i>Silver anodized aluminum feet. 1 tone only. Top portion allows 1 high binder storage. Pigeonhole at bottom.</i>				
	18 x 13 x 24	450 x 325 x 610	CNNNS-EBM2418	870	—
Surface height bookcases – 24" H 	<i>White board on back</i>				
	<i>Silver anodized aluminum feet. 1 tone only. Top portion allows 1 high binder storage. Pigeonhole at bottom.</i>				
	18 x 13 x 24	450 x 325 x 610	CNNNS-EBW2418	941	—

	W x D x H (in)	W x D x H (mm)	Code	All Laminate (\$)	HPL Surfaces (\$)
Surface height bookcases – 24" H 	<i>Translucent insert with Silver anodized aluminum framed. Silver anodized aluminum feet. 1 tone only. Top portion allows 1 high binder storage. Pigeonhole at bottom.</i>				
	18 x 13 x 24	450 x 325 x 610	CNNNS-EBT2418	1,020	—



	W x D x H (in)	W x D x H (mm)	Code	All Laminate (\$)	HPL Surfaces (\$)
Surface height bookcases – 18" H 	<i>Laminate back</i>				
	<i>Silver anodized aluminum feet. 1 tone only</i>				
	30 x 13 x 18	750 x 325 x 450	CNNNS-EBM1830	884	—
	24 x 13 x 18	600 x 325 x 450	CNNNS-EBM1824	870	—
	18 x 13 x 18	450 x 325 x 450	CNNNS-EBM1818	844	—
Surface height bookcases – 18" H 	<i>White board on back</i>				
	<i>Silver anodized aluminum feet. 1 tone only.</i>				
	30 x 13 x 18	750 x 325 x 450	CNNNS-EBW1830	980	—
	24 x 13 x 18	600 x 325 x 450	CNNNS-EBW1824	941	—
	18 x 13 x 18	450 x 325 x 450	CNNNS-EBW1818	909	—

	W x D x H (in)	W x D x H (mm)	Code	All Laminate (\$)	HPL Surfaces (\$)
Surface height bookcases – 18" H 	<i>Translucent insert with Silver anodized aluminum framed. Silver anodized aluminum feet. 1 tone only.</i>				
	30 x 13 x 18	750 x 325 x 450	CNNNS-EBT1830	1,044	—
	24 x 13 x 18	600 x 325 x 450	CNNNS-EBT1824	1,020	—
	18 x 13 x 18	450 x 325 x 450	CNNNS-EBT1818	1,005	—



	W x D x H (in)	W x D x H (mm)	Code	All Laminate (\$)	HPL Surfaces (\$)
Surface height bookcases – 11" H 	<i>Laminate back</i>				
	<i>Silver anodized aluminum feet. 1 tone only.</i>				
	30 x 13 x 11	750 x 325 x 285	CNNNS-EBM1130	830	—
	24 x 13 x 11	600 x 325 x 285	CNNNS-EBM1124	811	—
	18 x 13 x 11	450 x 325 x 285	CNNNS-EBM1118	799	—
Surface height bookcases – 11" H 	<i>White board on back</i>				
	<i>Silver anodized aluminum feet. 1 tone only.</i>				
	30 x 13 x 11	750 x 325 x 285	CNNNS-EBW1130	925	—
	24 x 13 x 11	600 x 325 x 285	CNNNS-EBW1124	878	—
	18 x 13 x 11	450 x 325 x 285	CNNNS-EBW1118	837	—

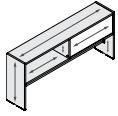
	W x D x H (in)	W x D x H (mm)	Code	All Laminate (\$)	HPL Surfaces (\$)
Surface height bookcases – 11" H 	<i>Translucent insert with Silver anodized aluminum framed. Silver anodized aluminum feet. 1 tone only.</i>				
	30 x 13 x 11	750 x 325 x 285	CNNNS-EBT1130	948	—
	24 x 13 x 11	600 x 325 x 285	CNNNS-EBT1124	934	—
	18 x 13 x 11	450 x 325 x 285	CNNNS-EBT1118	916	—

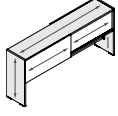


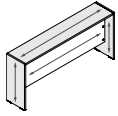
	W x D x H (in)	W x D x H (mm)	Code	All Laminate (\$)	HPL Surfaces (\$)
Surface height pigeonholes  	Laminate back <i>Silver anodized aluminum feet. 1 tone only.</i>				
	30 x 13 x 11	750 x 325 x 285	CNNNS-DVM1130	878	—
	24 x 13 x 11	600 x 325 x 285	CNNNS-DVM1124	855	—
	18 x 13 x 11	450 x 325 x 285	CNNNS-DVM1118	837	—

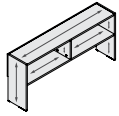
	White board on back <i>Silver anodized aluminum feet. 1 tone only.</i>				
	30 x 13 x 11	750 x 325 x 285	CNNNS-DVW1130	941	—
	24 x 13 x 11	600 x 325 x 285	CNNNS-DVW1124	909	—
	18 x 13 x 11	450 x 325 x 285	CNNNS-DVW1118	855	—

Surface height pigeonholes  	Translucent insert with Silver anodized aluminum framed. Silver anodized aluminum feet. 1 tone only.				
	30 x 13 x 11	750 x 325 x 285	CNNNS-DVT1130	980	—
	24 x 13 x 11	600 x 325 x 285	CNNNS-DVT1124	941	—
	18 x 13 x 11	450 x 325 x 285	CNNNS-DVT1118	909	—

Open hutches for double-sided surfaces 	Clearance: 16 3/4" (425 mm). Open space on each side. Half-height centered acrylic back. Storage module back can receive a tackboard.				
	84 x 14 3/4 x 32	2100 x 364 x 800	CNN_S-EDT843215	2,252	—
	72 x 14 3/4 x 32	1800 x 364 x 800	CNN_S-EDT723215	2,135	—
	60 x 14 3/4 x 32	1500 x 364 x 800	CNN_S-EDT603215	2,031	—
	48 x 14 3/4 x 32	1200 x 364 x 800	CNN_S-EDT483215	1,998	—
	42 x 14 3/4 x 32	1050 x 364 x 800	CNN_S-EDT423215	1,785	—
	Specify the Gloss finish (W, N).				
	High-Gloss White finish option for back (W): add \$252.				

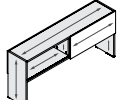
Sliding doors hutches for double-sided surfaces 	Clearance: 16 1/2" (412 mm). 1 sliding door on each side. Half-height centered acrylic back.				
	84 x 16 x 32	2100 x 400 x 800	CNN_S-EDT843216C	3,114	—
	72 x 16 x 32	1800 x 400 x 800	CNN_S-EDT723216C	2,978	—
	60 x 16 x 32	1500 x 400 x 800	CNN_S-EDT603216C	2,866	—
	48 x 16 x 32	1200 x 400 x 800	CNN_S-EDT483216C	2,822	—
	42 x 16 x 32	1050 x 400 x 800	CNN_S-EDT423216C	2,584	—
	Specify the Gloss finish (W, N).				
	High-Gloss White finish option for doors and back (W): add \$252.				

Laminate dividers for double-sided surfaces 	Centered laminate back compatible with a tackboard.				
	84 x 14 3/4 x 32	2100 x 364 x 800	CNN_S-EDS843215	1,130	—
	72 x 14 3/4 x 32	1800 x 364 x 800	CNN_S-EDS723215	1,108	—
	60 x 14 3/4 x 32	1500 x 364 x 800	CNN_S-EDS603215	1,084	—
	48 x 14 3/4 x 32	1200 x 364 x 800	CNN_S-EDS483215	1,064	—
	42 x 14 3/4 x 32	1050 x 364 x 800	CNN_S-EDS423215	1,020	—
	Specify the Gloss finish (W, N).				
	High-Gloss White finish option for back (W): add \$166.				

	W x D x H (in)	W x D x H (mm)	Code	All Laminate (\$)	HPL Surfaces (\$)
Open hutches for single-sided surfaces 	Clearance: 16 3/4" (425 mm). Half-height acrylic back.				
	84 x 15 1/4 x 32	2100 x 380 x 800	CNN_S-EST843215	2,062	—
	72 x 15 1/4 x 32	1800 x 380 x 800	CNN_S-EST723215	1,983	—
	60 x 15 1/4 x 32	1500 x 380 x 800	CNN_S-EST603215	1,921	—
	48 x 15 1/4 x 32	1200 x 380 x 800	CNN_S-EST483215	1,889	—
	42 x 15 1/4 x 32	1050 x 380 x 800	CNN_S-EST423215	1,739	—

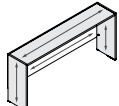
High-Gloss White finish option for back (W): add \$166.

Specify the Gloss finish (W, N).

Sliding door hutches for single-sided surfaces 	Clearance: 16 1/2" (412 mm). Half-height acrylic back. 1 sliding door.				
	84 x 16 x 32	2100 x 400 x 800	CNN_S-EST843216C	2,537	—
	72 x 16 x 32	1800 x 400 x 800	CNN_S-EST723216C	2,459	—
	60 x 16 x 32	1500 x 400 x 800	CNN_S-EST603216C	2,392	—
	48 x 16 x 32	1200 x 400 x 800	CNN_S-EST483216C	2,347	—
	42 x 16 x 32	1050 x 400 x 800	CNN_S-EST423216C	2,203	—

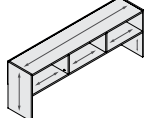
High-Gloss White finish option for doors and back (W): add \$252.

Specify the Gloss finish (W, N).

Laminate dividers for single-sided surface 	Back can receive a tackboard.				
	84 x 15 1/4 x 32	2100 x 380 x 800	CNN_S-ESS843215	1,075	—
	72 x 15 1/4 x 32	1800 x 380 x 800	CNN_S-ESS723215	1,044	—
	60 x 15 1/4 x 32	1500 x 380 x 800	CNN_S-ESS603215	1,029	—
	48 x 15 1/4 x 32	1200 x 380 x 800	CNN_S-ESS483215	1,010	—
	42 x 15 1/4 x 32	1050 x 380 x 800	CNN_S-ESS423215	955	—

High-Gloss White finish option for back (W): add \$166.

Specify the Gloss finish (W, N).

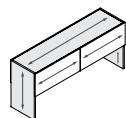
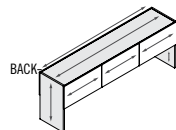
Open hutches for storage module 	Clearance: 16 3/4" (425 mm). Half-height centered acrylic back.				
	90 x 19 1/4 x 32	2250 x 480 x 800	CNN_S-ET903220	1,855	—
	72 x 19 1/4 x 32	1800 x 480 x 800	CNN_S-ET723220	1,621	—
	60 x 19 1/4 x 32	1500 x 480 x 800	CNN_S-ET603220	1,540	—
	48 x 19 1/4 x 32	1200 x 480 x 800	CNN_S-ET483220	1,453	—
	42 x 19 1/4 x 32	1050 x 480 x 800	CNN_S-ET423220	1,375	—

Specify the Gloss finish (W, N).

High-Gloss White finish option for back (W): add \$252.

90": 3 sections
72" to 42": 2 sections

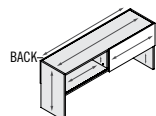
	W x D x H (in)	W x D x H (mm)	Code	All Laminate (\$)	HPL Surfaces (\$)
Hutches with lift-up doors for storage module					
<i>Clearance: 16 1/2" (412 mm). Lift-up doors with soft close. Half-height acrylic back.</i>					
	90 x 20 x 32	2250 x 500 x 800	CNN_S-ET903220V	2,866	—
	72 x 20 x 32	1800 x 500 x 800	CNN_S-ET723220V	2,323	—
	60 x 20 x 32	1500 x 500 x 800	CNN_S-ET603220V	2,219	—
	48 x 20 x 32	1200 x 500 x 800	CNN_S-ET483220V	2,126	—
	42 x 20 x 32	1050 x 500 x 800	CNN_S-ET423220V	2,031	—



High-Gloss White finish option for doors and back (W): add \$336.

90": 3 sections
72" to 42": 2 sections

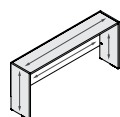
	W x D x H (in)	W x D x H (mm)	Code	All Laminate (\$)	HPL Surfaces (\$)
Sliding door hutches for storage module					
<i>Clearance: 16 1/2" (412 mm). 1 sliding door. Half-height acrylic back.</i>					
	72 x 20 x 32	1800 x 500 x 800	CNN_S-ET723220C	2,593	—
	60 x 20 x 32	1500 x 500 x 800	CNN_S-ET603220C	2,450	—
	48 x 20 x 32	1200 x 500 x 800	CNN_S-ET483220C	2,299	—



High-Gloss White finish option for back (W): add \$252.

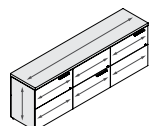
72" to 42": 2 sections

	W x D x H (in)	W x D x H (mm)	Code	All Laminate (\$)	HPL Surfaces (\$)
Laminate dividers for storage module					
<i>Back can receive a tackboard.</i>					
	90 x 19 1/4 x 32	2250 x 480 x 800	CNN_S-ES903220	1,138	—
	72 x 19 1/4 x 32	1800 x 480 x 800	CNN_S-ES723220	1,108	—
	60 x 19 1/4 x 32	1500 x 480 x 800	CNN_S-ES603220	1,084	—
	48 x 19 1/4 x 32	1200 x 480 x 800	CNN_S-ES483220	1,058	—
	42 x 19 1/4 x 32	1050 x 480 x 800	CNN_S-ES423220	1,010	—



High-Gloss White finish option for back (W): add \$166.

	W x D x H (in)	W x D x H (mm)	Code	All Laminate (\$)	HPL Surfaces (\$)
Shared storage modules, lateral files					
<i>3 file drawers with suspension bars on both sides. Locks.</i>					
	90 x 20 x 29 3/8	2250 x 500 x 745	C_N_-DFM2090MF	4,804	5,350



High-Gloss White finish option for drawer fronts and back (W): add \$503.

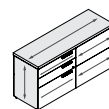
Packaged in 4 boxes.

Specify the surface type (1, 2). Specify the Gloss finish (W, N). Specify accent color (S, W).

90 x 20 x 29 3/8	2250 x 500 x 757	C_N_-DFM2090MF	5,154	5,563
------------------	------------------	-----------------------	--------------	--------------

Specify the surface type (5, 6). Specify the Gloss finish (W, N). Specify accent color (S, W).

	W x D x H (in)	W x D x H (mm)	Code	All Laminate (\$)	HPL Surfaces (\$)
Shared storage modules, box and file drawers					
<i>2 box drawers and 1 file drawer with suspension bar on both sides. Pencil trays. Locks.</i>					
	72 x 20 x 29 3/8	1800 x 500 x 745	C_N_-DLUF2072M	3,539	3,943
	60 x 20 x 29 3/8	1500 x 500 x 745	C_N_-DLUF2060M	3,428	3,801
	48 x 20 x 29 3/8	1200 x 500 x 745	C_N_-DLUF2048M	3,382	3,649



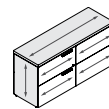
High-Gloss White finish option for drawer fronts and back (W): add \$336.

Specify the surface type (1, 2). Specify the Gloss finish (W, N). Specify accent color (S, W).

72 x 20 x 29 3/8	1800 x 500 x 757	C_N_-DLUF2072M	3,769	4,496
60 x 20 x 29 3/8	1500 x 500 x 757	C_N_-DLUF2060M	3,643	4,314
48 x 20 x 29 3/8	1200 x 500 x 757	C_N_-DLUF2048M	3,532	4,227

Specify the surface type (5, 6). Specify the Gloss finish (W, N). Specify accent color (S, W).

	W x D x H (in)	W x D x H (mm)	Code	All Laminate (\$)	HPL Surfaces (\$)
Shared storage modules, lateral files					
<i>2 file drawers with suspension bars on both sides. Locks.</i>					
	72 x 20 x 29 3/8	1800 x 500 x 745	C_N_-DLF2072M	3,050	3,437
	60 x 20 x 29 3/8	1500 x 500 x 745	C_N_-DLF2060M	2,947	3,293
	48 x 20 x 29 3/8	1200 x 500 x 745	C_N_-DLF2048M	2,844	3,216



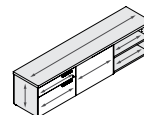
High-Gloss White finish option for drawer fronts and back (W): add \$336.

Specify the surface type (1, 2). Specify the Gloss finish (W, N). Specify accent color (S, W).

72 x 20 x 29 3/8	1800 x 500 x 757	C_N_-DLF2072M	3,208	3,857
60 x 20 x 29 3/8	1500 x 500 x 757	C_N_-DLF2060M	3,145	3,761
48 x 20 x 29 3/8	1200 x 500 x 757	C_N_-DLF2048M	3,074	3,696

Specify the surface type (5, 6). Specify the Gloss finish (W, N). Specify accent color (S, W).

	W x D x H (in)	W x D x H (mm)	Code	All Laminate (\$)	HPL Surfaces (\$)
Shared storage modules, box and file drawers – 21" H					
<i>1 box drawer and 1 file drawer with suspension bar on both sides. 1 open space on each side. Adjustable shelves. Pencil trays. Locks. Can receive 1 or more cushions.</i>					
	90 x 20 x 21	2250 x 500 x 561	C_N_-DUL209021MS	3,264	3,604
	72 x 20 x 21	1800 x 500 x 561	C_N_-DUL207221MS	2,978	3,182



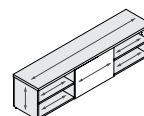
High-Gloss White finish option for drawer fronts and back (W): add \$503.

Specify the surface type (1, 2). Specify the Gloss finish (W, N). Specify accent color (W, S).

90 x 20 x 21	2250 x 500 x 561	C_N_-DUL209021MS	3,388	3,744
72 x 20 x 21	1800 x 500 x 561	C_N_-DUL207221MS	3,018	3,359

Specify the surface type (5, 6). Specify the Gloss finish (W, N). Specify accent color (W, S).

	W x D x H (in)	W x D x H (mm)	Code	All Laminate (\$)	HPL Surfaces (\$)
Shared open bookcases – 21" H					
<i>1 open space with back on each side. 1 open space without back. Adjustable shelves. Can receive 1 or more cushions.</i>					
	90 x 20 x 21	2250 x 500 x 561	C_N_N-DS209021MS	1,889	2,180
	72 x 20 x 21	1800 x 500 x 561	C_N_N-DS207221MS	1,716	1,992



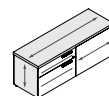
High-Gloss White finish option for fronts (W): add \$252.

Specify the surface type (1, 2). Specify the Gloss finish (W, N).

90 x 20 x 21	2250 x 500 x 561	C_N_N-DS209021MS	2,023	2,299
72 x 20 x 21	1800 x 500 x 561	C_N_N-DS207221MS	1,801	2,102

Specify the surface type (5, 6). Specify the Gloss finish (W, N).

	W x D x H (in)	W x D x H (mm)	Code	All Laminate (\$)	HPL Surfaces (\$)
Shared storage modules, box and file drawers – 21" H					
<i>1 box drawer and 1 file drawer with suspension bar on both sides. Pencil trays. Locks. Can receive 1 or more cushions.</i>					
	60 x 20 x 21	1500 x 500 x 561	C_N_-DUL206021M	2,788	2,909
	48 x 20 x 21	1200 x 500 x 561	C_N_-DUL204821M	2,696	2,788



High-Gloss White finish option for drawer fronts and back (W): add \$336.

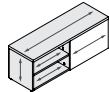
Specify the surface type (1, 2). Specify the Gloss finish (W, N). Specify accent color (W, S).

60 x 20 x 21	1500 x 500 x 561	C_N_-DUL206021M	2,916	3,089
48 x 20 x 21	1200 x 500 x 561	C_N_-DUL204821M	2,775	2,947

Specify the surface type (5, 6). Specify the Gloss finish (W, N). Specify accent color (W, S).



Shared open bookcases – 21" H



High-Gloss White finish option for back (W): add \$252.

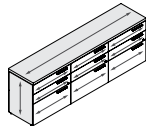
W x D x H (in)	W x D x H (mm)	Code	All Laminate (\$)	HPL Surfaces (\$)
<i>1 open space on both sides. Adjustable shelves. Can receive 1 or more cushions.</i>				
60 x 20 x 21	1500 x 500 x 561	C_N_N-DS206021M	1,334	1,649
48 x 20 x 21	1200 x 500 x 561	C_N_N-DS204821M	1,303	1,556

Specify the surface type (1, 2). Specify the Gloss finish (W, N).

60 x 20 x 21	1500 x 500 x 561	C_N_N-DS206021M	1,430	1,731
48 x 20 x 21	1200 x 500 x 561	C_N_N-DS204821M	1,359	1,629

Specify the surface type (5, 6). Specify the Gloss finish (W, N).

Lateral box and file storages



High-Gloss White finish option for drawer fronts and back (W): add \$503.

Packaged in 4 boxes.

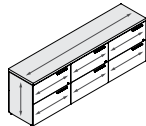
<i>6 box drawers and 3 file drawers with suspension bars. Pencil trays. Locks.</i>				
90 x 20 x 29 ⁷ / ₈	2250 x 500 x 745	C_N_-LUF2090LUF	5,310	5,697

Specify the surface type (1, 2). Specify the Gloss finish (W, N). Specify accent color (W, S).

90 x 20 x 29 ⁷ / ₈	2250 x 500 x 757	C_N_-LUF2090LUF	5,587	5,950
--	------------------	-----------------	-------	-------

Specify the surface type (5, 6). Specify the Gloss finish (W, N). Specify accent color (W, S).

Lateral file storages



High-Gloss White finish option for drawer fronts and back (W): add \$503.

Packaged in 4 boxes.

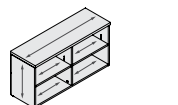
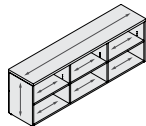
<i>6 file drawers with suspension bars. Locks.</i>				
90 x 20 x 29 ⁷ / ₈	2250 x 500 x 745	C_N_-LF2090LF	4,707	5,069

Specify the surface type (1, 2). Specify the Gloss finish (W, N). Specify accent color (W, S).

90 x 20 x 29 ⁷ / ₈	2250 x 500 x 757	C_N_-LF2090LF	4,960	5,318
--	------------------	---------------	-------	-------

Specify the surface type (5, 6). Specify the Gloss finish (W, N). Specify accent color (W, S).

Open bookcase storages



High-Gloss White finish option for back (W): add \$336.

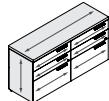
<i>Adjustable shelves.</i>				
90 x 20 x 29 ⁷ / ₈	2250 x 500 x 745	C_N_N-S2090S	1,889	2,180
72 x 20 x 29 ⁷ / ₈	1800 x 500 x 745	C_N_N-S2072S	1,517	1,752
60 x 20 x 29 ⁷ / ₈	1500 x 500 x 745	C_N_N-S2060S	1,437	1,660
48 x 20 x 29 ⁷ / ₈	1200 x 500 x 745	C_N_N-S2048S	1,359	1,110

Specify the surface type (1, 2). Specify the Gloss finish (W, N).

90 x 20 x 29 ⁷ / ₈	2250 x 500 x 757	C_N_N-S2090S	1,998	2,386
72 x 20 x 29 ⁷ / ₈	1800 x 500 x 757	C_N_N-S2072S	1,603	1,938
60 x 20 x 29 ⁷ / ₈	1500 x 500 x 757	C_N_N-S2060S	1,503	1,808
48 x 20 x 29 ⁷ / ₈	1200 x 500 x 757	C_N_N-S2048S	1,423	1,698

Specify the surface type (5, 6). Specify the Gloss finish (W, N).

Lateral box and file storages



High-Gloss White finish option for drawer fronts and back (W): add \$336.

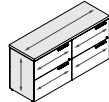
<i>4 box drawers and 2 file drawers with suspension bars. Pencil trays. Locks.</i>				
72 x 20 x 29 ⁷ / ₈	1800 x 500 x 745	C_N_-LUF2072LUF	3,286	3,888
60 x 20 x 29 ⁷ / ₈	1500 x 500 x 745	C_N_-LUF2060LUF	3,175	3,735
48 x 20 x 29 ⁷ / ₈	1200 x 500 x 745	C_N_-LUF2048LUF	3,025	3,586

Specify the surface type (1, 2). Specify the Gloss finish (W, N). Specify accent color (W, S).

72 x 20 x 29 ⁷ / ₈	1800 x 500 x 757	C_N_-LUF2072LUF	3,463	4,036
60 x 20 x 29 ⁷ / ₈	1500 x 500 x 757	C_N_-LUF2060LUF	3,332	3,943
48 x 20 x 29 ⁷ / ₈	1200 x 500 x 757	C_N_-LUF2048LUF	3,161	3,801

Specify the surface type (5, 6). Specify the Gloss finish (W, N). Specify accent color (W, S).

Lateral file storages



High-Gloss White finish option for drawer fronts and back (W): add \$336.

W x D x H (in)	W x D x H (mm)	Code	All Laminate (\$)	HPL Surfaces (\$)
<i>4 file drawers with suspension bars. Locks.</i>				
72 x 20 x 29 ⁷ / ₈	1800 x 500 x 745	C_N_-LF2072LF	2,822	3,182
60 x 20 x 29 ⁷ / ₈	1500 x 500 x 745	C_N_-LF2060LF	2,701	3,035
48 x 20 x 29 ⁷ / ₈	1200 x 500 x 745	C_N_-LF2048LF	2,575	2,877

Specify the surface type (1, 2). Specify the Gloss finish (W, N). Specify accent color (W, S).

72 x 20 x 29 ⁷ / ₈	1800 x 500 x 757	C_N_-LF2072LF	3,098	3,463
60 x 20 x 29 ⁷ / ₈	1500 x 500 x 757	C_N_-LF2060LF	2,956	3,279
48 x 20 x 29 ⁷ / ₈	1200 x 500 x 757	C_N_-LF2048LF	2,782	3,332

Specify the surface type (5, 6). Specify the Gloss finish (W, N). Specify accent color (W, S).

Lateral box and file storages



High-Gloss White finish option for drawer fronts and back (W): add \$252.

<i>2 box drawers and 1 file drawer with suspension bar. Pencil tray. Lock.</i>				
36 x 20 x 29 ⁷ / ₈	900 x 500 x 745	C_N_-2036LUF	1,794	2,062

Specify the surface type (1, 2). Specify the Gloss finish (W, N). Specify accent color (W, S).

36 x 20 x 29 ⁷ / ₈	900 x 500 x 757	C_N_-2036LUF	1,848	2,235
--	-----------------	--------------	-------	-------

Specify the surface type (5, 6). Specify the Gloss finish (W, N). Specify accent color (W, S).

Lateral file storages



High-Gloss White finish option for drawer fronts and back (W): add \$252.

<i>2 file drawers with suspension bars. Lock.</i>				
36 x 20 x 29 ⁷ / ₈	900 x 500 x 745	C_N_-2036LF	1,716	1,951

Specify the surface type (1, 2). Specify the Gloss finish (W, N). Specify accent color (W, S).

36 x 20 x 29 ⁷ / ₈	900 x 500 x 757	C_N_-2036LF	1,760	2,108
--	-----------------	-------------	-------	-------

Specify the surface type (5, 6). Specify the Gloss finish (W, N). Specify accent color (W, S).

Open bookcase storages



High-Gloss White finish option for back (W): add \$166.

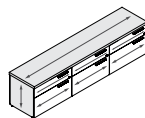
<i>Adjustable shelf.</i>				
36 x 20 x 29 ⁷ / ₈	900 x 500 x 745	C_N_N-2036S	1,084	1,193

Specify the surface type (1, 2). Specify the Gloss finish (W, N).

36 x 20 x 29 ⁷ / ₈	900 x 500 x 757	C_N_N-2036S	1,224	1,472
--	-----------------	-------------	-------	-------

Specify the surface type (5, 6). Specify the Gloss finish (W, N).

Lateral box and file storages – 21" H



High-Gloss White finish option for drawer fronts and back (W): add \$503.

<i>3 box drawers and 3 file drawers with suspension bars. Pencil trays. Locks. Can receive 1 or more cushions.</i>				
90 x 20 x 21	2250 x 500 x 561	C_N_-UL209021UL	3,744	4,101

Specify the surface type (1, 2). Specify the Gloss finish (W, N). Specify accent color (W, S).

90 x 20 x 21	2250 x 500 x 561	C_N_-UL209021UL	3,919	4,289
--------------	------------------	-----------------	-------	-------


Specify the surface type (5, 6). Specify the Gloss finish (W, N). Specify accent color (W, S).


	W x D x H (in)	W x D x H (mm)	Code	All Laminate (\$)	HPL Surfaces (\$)	
Lateral box and file with open space storages – 21" H	<i>2 box drawers and 2 file drawers with suspension bars. 1 open space with adjustable shelf. Pencil trays. Locks. Can receive 1 or more cushions.</i>					
	90 x 20 x 21	2250 x 500 x 561	C_N_-UL209021ULS	3,065	3,271	
	72 x 20 x 21	1800 x 500 x 561	C_N_-UL207221ULS	2,916	3,074	
	Specify the surface type (1, 2). Specify the Gloss finish (W, N). Specify accent color (W, S). Choose left or right, add L or R at the end of the code.					
	90 x 20 x 21	2250 x 500 x 561	C_N_-UL209021ULS	3,161	3,372	
	72 x 20 x 21	1800 x 500 x 561	C_N_-UL207221ULS	2,986	3,161	
	Specify the surface type (5, 6). Specify the Gloss finish (W, N). Specify accent color (W, S). Choose left or right, add L or R at the end of the code.					
High-Gloss White finish option for drawer fronts and back (W): add \$503.						
Open bookcase storages – 21" H	<i>Adjustable shelves. Can receive 1 or more cushions.</i>					
	90 x 20 x 21	2250 x 500 x 561	C_N_N-S209021S	1,760	1,978	
	72 x 20 x 21	1800 x 500 x 561	C_N_N-S207221S	1,414	1,581	
	60 x 20 x 21	1500 x 500 x 561	C_N_N-S206021S	1,327	1,472	
	48 x 20 x 21	1200 x 500 x 561	C_N_N-S204821S	1,241	1,351	
	36 x 20 x 21	900 x 500 x 561	C_N_N-S203621S	1,155	1,233	
	Specify the surface type (1, 2). Specify the Gloss finish (W, N).					
	90 x 20 x 21	2250 x 500 x 561	C_N_N-S209021S	1,865	2,087	
	72 x 20 x 21	1800 x 500 x 561	C_N_N-S207221S	1,491	1,668	
	60 x 20 x 21	1500 x 500 x 561	C_N_N-S206021S	1,388	1,540	
	48 x 20 x 21	1200 x 500 x 561	C_N_N-S204821S	1,297	1,414	
	36 x 20 x 21	900 x 500 x 561	C_N_N-S203621S	1,193	1,278	
	Specify the surface type (5, 6). Specify the Gloss finish (W, N).					
High-Gloss White finish option for back (W): add \$252.						
Lateral box and file storages – 21" H	<i>2 box drawers and 2 file drawers with suspension bars. Pencil trays. Locks. Can receive 1 or more cushions.</i>					
	60 x 20 x 22	1500 x 500 x 561	C_N_-UL206021UL	2,701	2,939	
	48 x 20 x 22	1200 x 500 x 561	C_N_-UL204821UL	2,584	2,788	
	Specify the surface type (1, 2). Specify the Gloss finish (W, N). Specify accent color (W, S).					
	60 x 20 x 22	1500 x 500 x 561	C_N_-UL206021UL	2,812	3,065	
	48 x 20 x 22	1200 x 500 x 561	C_N_-UL204821UL	2,677	2,898	
	Specify the surface type (5, 6). Specify the Gloss finish (W, N). Specify accent color (W, S).					
High-Gloss White finish option for drawer fronts and back (W): add \$336.						
Lateral box and file with open space storages – 21" H	<i>1 box drawer and 1 file drawer with suspension bar. 1 open space with adjustable shelf. Pencil tray. Lock. Can receive 1 or more cushions.</i>					
	60 x 20 x 21	1500 x 500 x 561	C_N_-UL206021S	2,013	2,244	
	48 x 20 x 21	1200 x 500 x 561	C_N_-UL204821S	1,903	2,094	
	Specify the surface type (1, 2). Specify the Gloss finish (W, N). Specify accent color (S, W). Choose left or right, add L or R at the end of the code.					
	60 x 20 x 21	1500 x 500 x 561	C_N_-UL206021S	2,126	2,362	
	48 x 20 x 21	1200 x 500 x 561	C_N_-UL204821S	1,998	2,196	
	Specify the surface type (5, 6). Specify the Gloss finish (W, N). Specify accent color (S, W). Choose left or right, add L or R at the end of the code.					
High-Gloss White finish option for drawer fronts and back (W): add \$252.						
Mobile pedestal – 20" H	<i>1 box drawer, 1 file drawer with suspension bar. Pencil tray. Lock. Brakes on front casters. Fits under a work surface. Can accommodate 1 cushion.</i>					
	15 x 18 x 20	388 x 450 x 508	CNN_-MP1518F	1,423		
	Specify the Gloss finish (W, N). Specify accent color (W, S).					
High-Gloss White finish option for drawer fronts (W): add \$84.						

ELECTRIFICATION


	Code	Price (\$)
Electrical table kit	<i>4 duplex receptacles with cables. Black. Compatible with surfaces 96"/84"/72" W. (2400 mm/2100 mm/1828 mm).</i>	
	LGC-4TRAC496C	672
	Specify circuit number at the end of the code (1, 2).	
Electrical table kit	<i>2 duplex receptacles with cable. Black. Compatible with surfaces 96"/84" W. (2400 mm/1800 mm).</i>	
	LGC-4TRAC296C	396
	Specify circuit number at the end of the code (1, 2).	
Electrical table kit	<i>2 duplex receptacles with cable. Black. Compatible with surfaces 72" W. (1828 mm).</i>	
	LGC-4TRAC272C	379
	Specify circuit number at the end of the code (1, 2).	
Electrical table kit	<i>2 duplex receptacles with cable. Black. Compatible with surfaces 60"/48" W. (1524 mm/1200 mm).</i>	
	LGC-4TRAC260C	363
	Specify circuit number at the end of the code (1, 2).	
Pass cables	<i>Connects 2 adjacent surfaces.</i>	
	LGC-PASS54	228
	LGC-PASS36	201
Electrical floor feed	<i>72" (1828 mm) cable or 60" (1524 mm) cable. Must be installed by an electrician.</i>	
	LGC-FFEE72	329
	LGC-FFEE60	324
Power source from the floor to the central wire management raceway	<i>23" (569 mm) tall aluminum post, silver. 72" (1828 mm) long cable. Screws and supports included. Must be installed by an electrician.</i>	
	CNNNS-FFEE23	562
	<i>23" (569 mm) tall aluminum post, Silver.</i>	
	CNNNS-CEV23	369
	Packaged in 2 boxes.	
Electrical ceiling feed	<i>120" (3000 mm) tall aluminum post, Silver. 132" (3353 mm) long cable. Screws and supports included. Must be installed by an electrician.</i>	
	CNNNS-CFEED120	805
	<i>120" (3000 mm) tall aluminum post, Silver.</i>	
	CNNNS-POLE120	629
	Packaged in 2 boxes.	
Communication plate	<i>Communication plate for single-sided or double-sided surfaces. Silver finish. Adaptors included.</i>	
	LGC-COM	61



	W x D x H (in)	W x D x H (mm)	Code	Price (\$)
Surface electrical module	<i>4 power outlets and 4 charging USB. Must be installed on a surface with wire management raceway. Plugs into a wall outlet or into the CITE electrical system. Cable length of 9' (2740 mm).</i>			
	24 x 6 x 1/4	600 x 160 x 6	CNNN_DELECT	1,248
Specify accent color (S, W).				

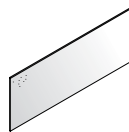
	<i>Compatible with return surfaces.</i>			
	W x D x H (in)	W x D x H (mm)	Code	Price (\$)
Modular modesty panels	<i>Compatible with return surfaces.</i>			
	54 x 3/8 x 14	1350 x 16 x 350	CNN_S-MOD1454	811
	42 x 3/8 x 14	1050 x 16 x 350	CNN_S-MOD1442	687
	30 x 3/8 x 14	750 x 16 x 350	CNN_S-MOD1430	553
Specify the Gloss finish (W, N).				

High-Gloss White finish option (W); add \$84.

	<i>2" (51 mm) foam. Install on low storage modules or mobile pedestals with velcro. These prices are applicable for United Chair® Grade 1 and 2 fabrics. For other United Chair® grades add: Grade 3: 15%, Grade 4: 20%, Grade 5: 25%, Grade 6: 30%, Grade 8: 35%.</i>			
	W x D x H (in)	W x D x H (mm)	Code	Price (\$)
Cushions for storage modules and pedestal	<i>2" (51 mm) foam. Install on low storage modules or mobile pedestals with velcro. These prices are applicable for United Chair® Grade 1 and 2 fabrics. For other United Chair® grades add: Grade 3: 15%, Grade 4: 20%, Grade 5: 25%, Grade 6: 30%, Grade 8: 35%.</i>			
	36 x 20 x 1 3/8	900 x 500 x 35	CNNNN-CU2036	647
	30 x 20 x 1 3/8	750 x 500 x 35	CNNNN-CU2030	584
	24 x 20 x 1 3/8	600 x 500 x 35	CNNNN-CU2024	513
	15 x 18 x 1 3/8	388 x 450 x 35	CNNNN-CU1518	369

All United Chair® standard fabrics (except vinyls and leathers) are available to coordinate on tackboard.

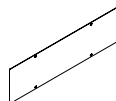
Tackboards



All United Chair® standard fabrics (except vinyls and leathers) are available to coordinate on tackboard.

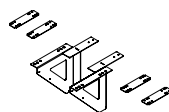
	W x D x H (in)	W x D x H (mm)	Code	Price (\$)
<i>Mount to surface height bookcases, pigeonholes back panel and hutches. These prices are applicable for United Chair® Grade 1 and 2 fabrics. For other United Chair® grades add: Grade 3: 15%, Grade 4: 20%, Grade 5: 25%, Grade 6: 30%, Grade 8: 35%.</i>				
Tackboards for hutches				
	88 x 1/2 x 22	2200 x 13 x 548	CNNNN-TK8822	655
	82 x 1/2 x 22	2050 x 13 x 548	CNNNN-TK8222	631
	70 x 1/2 x 22	1750 x 13 x 548	CNNNN-TK7022	602
	58 x 1/2 x 22	1450 x 13 x 548	CNNNN-TK5822	546
	46 x 1/2 x 22	1150 x 13 x 548	CNNNN-TK4622	513
	40 x 1/2 x 22	1000 x 13 x 548	CNNNN-TK4022	505
	40 x 1/2 x 12 1/2	1005 x 13 x 317	CNNNN-TK4012	442
	34 x 1/2 x 12 1/2	855 x 13 x 317	CNNNN-TK3412	404
	28 x 1/2 x 12 1/2	705 x 13 x 317	CNNNN-TK2812	363
	22 x 1/2 x 12 1/2	555 x 13 x 317	CNNNN-TK2212	349
	19 x 1/2 x 12 1/2	480 x 13 x 317	CNNNN-TK1912	324
Tackboards for surface bookcases and pigeonholes				
	16 x 1/2 x 25	408 x 13 x 611	CNNNN-TK1625	459
	16 x 1/2 x 19	408 x 13 x 467	CNNNN-TK1619	369
	16 x 1/2 x 13	408 x 13 x 340	CNNNN-TK1613	418
	22 x 1/2 x 13	558 x 13 x 340	CNNNN-TK2213	426
	28 x 1/2 x 13	708 x 13 x 340	CNNNN-TK2813	434
	16 x 1/2 x 5 3/4	408 x 13 x 147	CNNNN-TK1606	379
	22 x 1/2 x 5 3/4	558 x 13 x 147	CNNNN-TK2206	388
	28 x 1/2 x 5 3/4	708 x 13 x 147	CNNNN-TK2806	396

Metal back for surface screens



	<i>Compatible with felt screens for end of surface. Convert a felt screen to be tackable.</i>			
	W x D x H (in)	W x D x H (mm)	Code	Price (\$)
	56 3/4 x 8 1/2 x 19	1442 x 216 x 482	CNNN_METK6018	340
	50 1/8 x 8 1/2 x 19	1292 x 216 x 482	CNNN_METK5418	324
	29 1/8 x 8 1/2 x 19	740 x 216 x 482	CNNN_METK3018	309
Specify accent color (S, W).				

Hardware kit surface to storage module



	<i>Allow connection between surfaces (double, extension) and a 29" H (757 mm) storage module.</i>			
	W x D x H (in)	W x D x H (mm)	Code	Price (\$)
	4 x 15 1/8 x 10 1/4	100 x 385 x 262	CNNNS_SURFCON	379

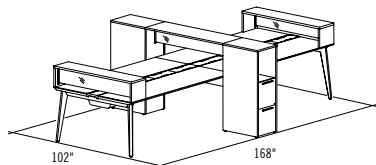
Heavy duty flush plates



	<i>4 plates included. Silver paint finish.</i>			
	Code	Price (\$)		
	CNNNS-HDFP	115		

SUGGESTIONS

C5NNN-PLAN01



C5NNN-PLAN01 \$16,119

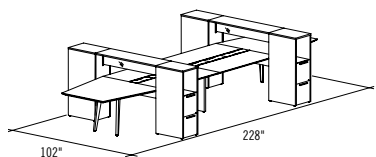
- 2 C5KNS-RCDT5484
- 2 CNNNW-ABD54
- 1 C1NNW-PRCT1024816EFF
- 2 C1NNS-MCET541115

1½"-thick laminate with knife-edge (K).
MONTRÉAL end bases in white painted metal (W),
 storage center base and surface counters with
 translucent acrylic (T).

Electrical components \$2,108

- 1 LGC-FFEED23
- 2 LGC-4TRAC496C1
- 1 LGC-PASS36

C5NNN-PLAN02



C5NNN-PLAN02 \$19,810

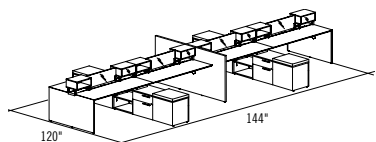
- 2 C5KNS-RCDT5460
- 2 C5KNW-CEA5454
- 2 C1NNW-PRCT1024816EFF
- 1 CNNS-LCD2828

1½"-thick laminate with knife-edge (K).
MONTRÉAL end bases in white painted metal (W),
 storage center base with translucent acrylic (T)
 and trapezoidal extension surfaces.

Electrical components \$1,491

- 1 LGC-FFEED23
- 2 LGC-4TRAC260C1
- 1 LGC-PASS36

C5NNN-PLAN03



C5NNN-PLAN03 \$38,177

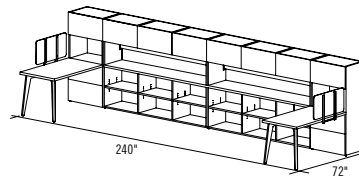
- 2 C5KNS-RCDT5472RA
- 2 C5KNS-RCDT5472
- 1 CNNS-LCD8441
- 4 CNNS-SCT3611
- 8 CNNS-EBT1118
- 2 CNNS-LCD2806
- 2 C1NNS-DUL207221MS
- 2 C1NNS-DUL204821MS

1½"-thick laminate with knife-edge (K). Laminate
 bases deposited on low storage modules, also to
 divide up space. Bookcases and surface screens
 with translucent acrylic (T).

Electrical components \$3,864

- 1 LGC-FFEED23
- 2 LGC-4TRAC496C1
- 2 LGC-4TRAC496C2
- 3 LGC-PASS36

C5NNN-PLAN04

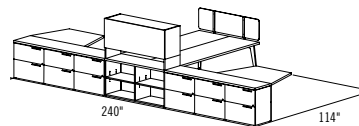


C5NNN-PLAN04 \$19,686

- 2 C5NNW-R307261ELF
- 4 CNNNW-AB
- 2 CNNNW-SCEFF3118
- 2 CNNS-ET903220V
- 2 C5NNN-S2090S

1½"-thick laminate (5). Return surfaces with
 integrated storage module and **MONTRÉAL** bases
 in white painted metal (W). Open storage modules
 and hutches with lift-up doors. Felt screens and
 supports in white painted metal (W).

C5NNN-PLAN05

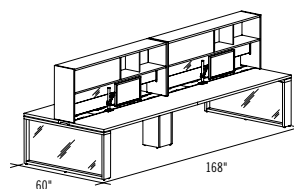


C5NNN-PLAN05 \$20,289

- 1 C5NNN-RCD6096
- 2 C5NNW-CEA5436
- 1 CNNS-ABD60
- 1 CNNS-SCEFF6018
- 1 CNNS-METK6018
- 1 CNNS-ES603220
- 1 CNNS-TK5822
- 1 C5NNN-S2060S
- 2 C5NNW-LF2090LF

1½"-thick laminate (5). Double-sided surfaces
 without raceway as well as trapezoidal extension
 surfaces. **MONTRÉAL** bases in white painted
 metal (W). Open storage modules and filing
 drawers. Hutch with tackboard. Felt screen and
 supports in white painted metal (W).

C5NNN-PLAN06



C5NNN-PLAN06 \$17,954

- 2 C5NNS-RCDT6084
- 2 CNNS-CBDT60
- 2 CNNS-EDT843215
- 1 CNNS-LBD1212WM
- 4 CNNS-TK4012

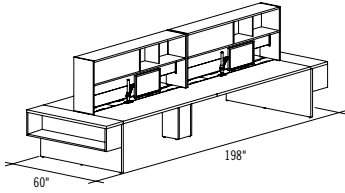
1½"-thick laminate (5). **NEW YORK** bases with
 translucent acrylic insert (T). Shared open hutches.

Electrical components \$1,874

- 1 LGC-FFEED60
- 2 LGC-4TRAC496C1
- 1 LGC-PASS36

SUGGESTIONS

C5NNN-PLAN07



C5NNN-PLAN07 \$16,264

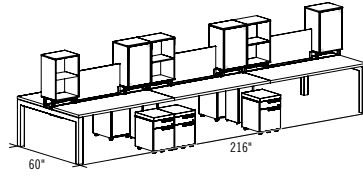
- 2 C5NNS-RCDT6084
- 2 C5NNN-EXR602915
- 2 CNNNS-EDT843215
- 1 CNNNS-LBD1212WM
- 4 CNNNN-TK4012

1½"-thick laminate (5). Extension bases with storage modules. Shared open hutches.

Electrical components \$1,874

- 1 LGC-FFEED60
- 2 LGC-4TRAC496C1
- 1 LGC-PASS36

C5NN-PLAN10



C5NN-PLAN10 \$34,201

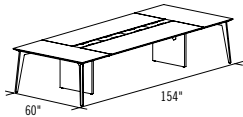
- 3 C5NNS-RCDT6072
- 2 CNNNS-LBD1212WM
- 2 CNNNS-QBD60
- 6 CNNNS-MP1518F
- 6 CNNNN-CU1518
- 6 CNNNS-EBM3018
- 6 CNNNN-TK1625
- 3 CNNNS-SCT3618

1½"-thick laminate (5). End bases in metal, center bases and storage modules in laminate. Divider panels. End bases in Silver finish (S) painted metal.

Electrical components \$1,874

- 1 LGC-FFEED60
- 3 LGC-4TRAC272C1
- 2 LGC-PASS36

C5NNN-PLAN08



C5NNN-PLAN08 \$7,126

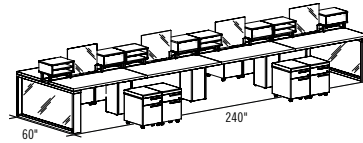
- 1 C5KNS-RCDT6096
- 2 C5KNW-CE6030

1½"-thick laminate with knife-edge detailing (K). Rectangular extension bases with MONTRÉAL bases in white painted metal (W).

Electrical components \$1,233

- 1 LGC-FFEED23
- 1 LGC-4TRAC496C1

C5NN-PLAN11



C5NN-PLAN11 \$44,597

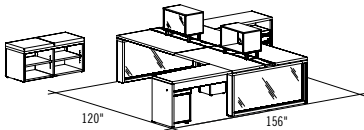
- 4 C5NNS-RCDT6060
- 2 CNNNS-CBDT60
- 3 CNNNS-LBD1212WM
- 8 CNNNS-MP1518F
- 8 CNNNS-DVM1118
- 4 CNNNS-SCT2418
- 8 CNNNN-CU1518
- 8 CNNNN-TK1606

1½"-thick laminate (5). Bases, divider panels and top storage modules in translucent acrylic (T).

Electrical components \$2,392

- 1 LGC-FFEED60
- 3 LGC-PASS36
- 4 LGC-4TRAC260C1

C5NN-PLAN09



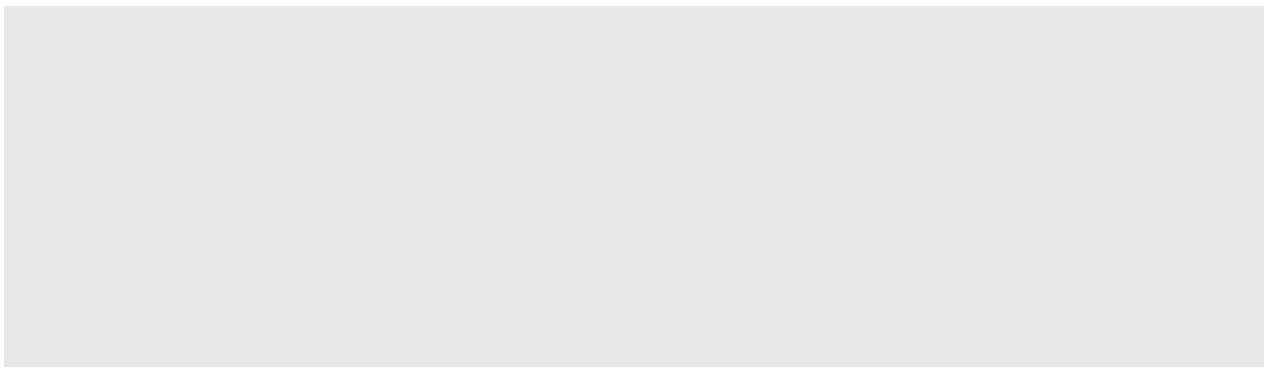
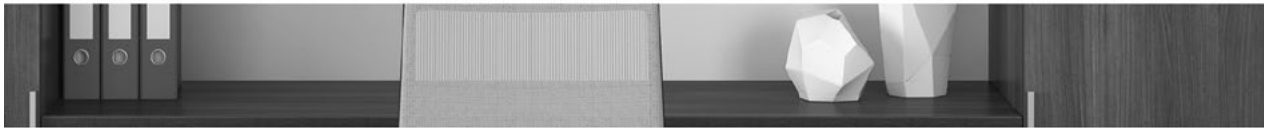
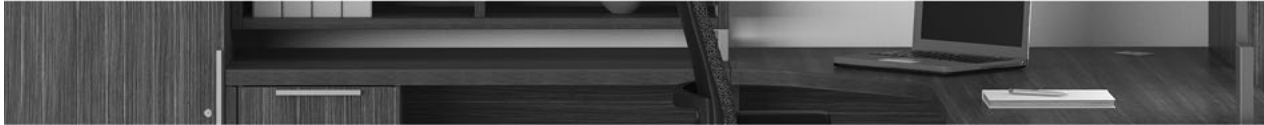
C5NN-PLAN09 \$20,899

- 2 C5NNS-RCDT6060
- 2 CNNNS-CBDT60
- 1 CNNNS-LBD1212WM
- 2 C5NNN-R2448S
- 2 C5NNN-S204821S
- 2 CNNNS-EBT1824
- 2 CNNNN-CU2024
- 2 CNNNS-MP1518F
- 2 CNNNN-CU1518

1½"-thick laminate (5). Bases and top storage modules in translucent acrylic (T).

Electrical components \$1,256

- 1 LGC-FFEED60
- 1 LGC-PASS36
- 2 LGC-4TRAC260C1



Office Furniture Solutions

Founded in 1956, Groupe Lacasse is a North American leader in the design, manufacture and service of a broad range of high-quality furniture products for all types of work environments. We have the experience, expertise and capability to deliver incomparable design, exceptional quality, optimum service and outstanding value in Office Furniture Solutions.



1-888-522-2773
www.groupelacasse.com



C.I.T.É. has achieved GREENGUARD GOLD Certification.

GREENGUARD Certified products are certified to GREENGUARD standards for low chemical emissions into indoor air during product usage. For more information, visit ul.com/gg.