

Office Doctor Discount Office Furniture

www.OfficeDr.com 856-368-9085

Safco Sale On Now

Take 50% Off the List Prices in this PDF

Call 856-368-9085 Now

Free Layout & Design Service

Flip n Go Tables



**HPL (High-Pressure Laminate)
Laminate Color Options**



**TFL (Thermally-Fused Laminate)
Laminate Color Options**



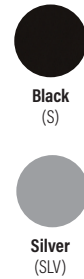
**HPL (High-Pressure Laminate)
Edge Color Options**



**TFL (Thermally-Fused Laminate)
Edge Color Options**



Base Options



Cutout Options



Cutout-E

"E" - \$30 List upcharge

- (1) Manufactured rectangular cutout 5¼ x 3" for daisy chain electrical kits only. See page 27 for available kit options.
- Grommet caps not included with cutout.



Cutout-G

"G" - \$30 List upcharge

- (1) Manufactured round cutout 1¾" in diameter located in center approach side of top.
- Includes black grommet cap.

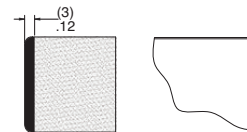


Cutout-M

"M" - \$60 List upcharge

- (2) Manufactured round cutouts 1¾" diameter located on right and left approach side of top.
- Includes (2) black grommet caps.

Laminate Edge Type

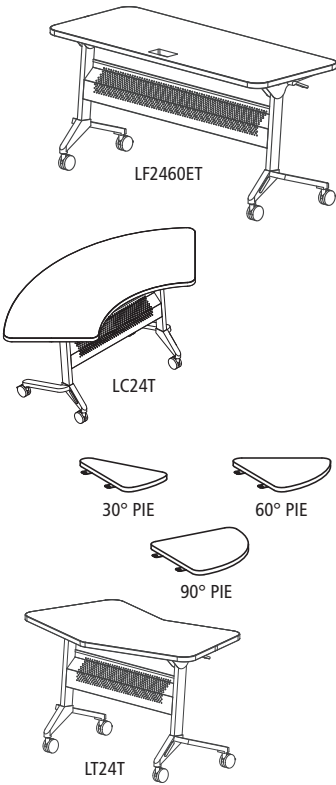


3 MM EDGE BAND

Note: All non-standard cutouts (other than above) will be reviewed to determine if the cutout does not interfere with the base, degrade table strength or cause imbalance. Contact specials@safcoproducts.com for quote request and drawing signoff will be required before order is processed.

- Minimal assembly required
- Dual-sided levers for a quick flip of the top
- Tables nest for compact storage, 5¼" between tables when nested
- Integrated Modesty Panel with built-in cable trough
- Tables can be connected together by using ganging kit (included)
- Tables are shipped in two boxes, top and base separately
- Overall HPL table height: 29"
- Four locking casters
- 150 lb. weight capacity, evenly distributed

*See power and accessories on page 54



Rectangular Surfaces CET

Parent #	Description	Wt.	Available Cutouts	TFL List Price "T" Suffix	HPL List Price or H3 Suffix
LF1848	48 x 18" Rectangular	66	G	760.00	979.00
LF1860	60 x 18" Rectangular	76	G,M	832.00	1,085.00
LF1872	72 x 18" Rectangular	86	G,M	887.00	1,146.00
LF2448	48 x 24" Rectangular	76	E,G	832.00	1,085.00
LF2460	60 x 24" Rectangular	86	E,G,M	922.00	1,189.00
LF2472	72 x 24" Rectangular	96	E,G,M	974.00	1,273.00

Crescent Surfaces (48" Radius)

LC24	67 x 24" Crescent	76	-	1,170.00	1,273.00
------	-------------------	----	---	----------	----------

Trapezoid Surfaces

LP24	60 x 24" Trapezoid	76	-	1,044.00	1,129.00
------	--------------------	----	---	----------	----------

Pie Connectors

P3018	18" x 30° Pie	4	-	355.00	398.00
P6018	18" x 60° Pie	8	-	372.00	—
P9018	18" x 90° Pie	12	-	398.00	440.00
P3024	24" x 30° Pie	6	-	355.00	398.00
P6024	24" x 60° Pie	12	-	372.00	415.00
P9024	24" x 90° Pie	18	-	398.00	440.00

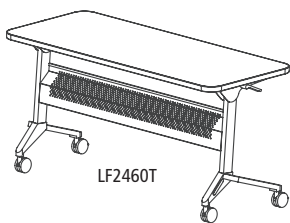
Transition Tables (Surfaces can be installed in either direction)

LT24	48" W x 24" D	76	-	1,171.00	1,273.00
------	---------------	----	---	----------	----------

*See power and accessories on page 54

Parent #	Cutout (Optional)	Laminate/Edge Type	Laminate Color Options	Edge Color Options	Base Color
	If none, leave blank E = Rectangular (Cutout Only) (Add \$34 List) G = Center Grommet (Add \$30 List) M = Left/Right (2) Grommets (Add \$60 List)	H3 = HPL Laminate/3mm Edge	HPL (High-Pressure Laminate) AISA-Asian Sand CLWN-Columbian Walnut ASNT-Asian Night DSWT-Designer White BLAK-Black FNGY-Fashion Gray BMCH-Biltmore Cherry FUMP-Fusion Maple	HPL (High-Pressure Laminate) BK-Black WI-Designer White IG-Ice Gray	S-Black SLV-Silver
		T = TFL Laminate/T-Mold Edge	TFL (Thermally-Fused Laminate) ANTM-Anthracite LDCM-Mocha BIRH-Birch RMH-Regal Mahogany FV-Fog Gray GRMA-Speckled Gray Matrix FLK-Folkstone LCRM-Cherry	TFL (Thermally-Fused Laminate) BK-Black IG-Ice Gray TP-Taupe	
LF2448+	E+	H3+	AISA+	BK+	SLV

Quick Ship Options



Cutouts not available on Quick Ship models

- TFL Laminate top options: Regal Mahogany (RMH), Folkstone (FLK4), Cherry (LCRM), Mocha (LDCM)
- Black (S) or Silver (SLV) base to match workspace décor
- Black Edge Band

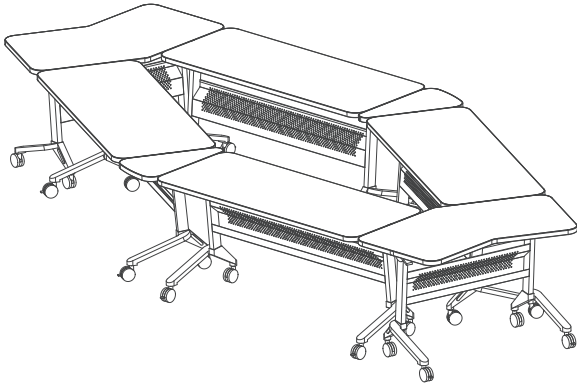
Rectangular Surfaces

Parent #	Description	Wt.	List Price
LF1848T	48 x 18" Rectangular	66	760.00
LF1860T	60 x 18" Rectangular	76	832.00
LF1872T	72 x 18" Rectangular	86	887.00
LF2448T	48 x 24" Rectangular	76	832.00
LF2460T	60 x 24" Rectangular	86	922.00
LF2472T	72 x 24" Rectangular	96	974.00

*See power and accessories on page 54

Parent #	Base Color	Laminate Top and Edge Band Options
	S-Black SLV-Silver	RMH-Regal Mahogany Black T-Mold Edge Band FLK4-Folkstone Black T-Mold Edge Band LCRM-Cherry Black T-Mold Edge Band LDCM-Mocha Black T-Mold Edge Band
LF2448T+	SLV+	FLK4

▪ Order components separately.



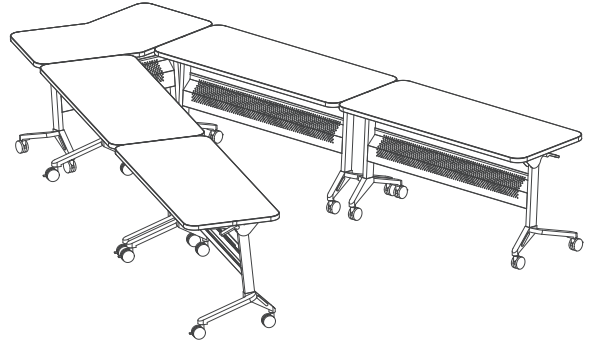
FLIP-N-GO IDEA STARTER #1

Consists of:

Qty.	Parent #	Description	List Price Each
4	LF2460T	Rectangular Table, 24 x 60"	922.00
2	LT24T	24" D Transition Table	1,171.00
2	P3024T	24" x 30° Pie	355.00

Total: 6,740.00

*See power and accessories on page 54



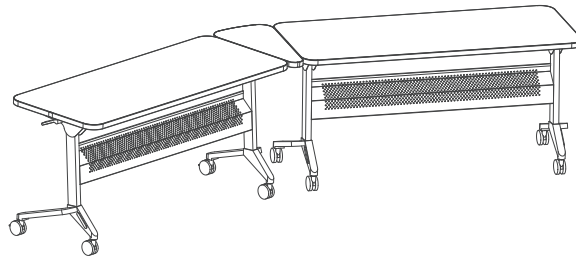
FLIP-N-GO IDEA STARTER #2

Consists of:

Qty.	Parent #	Description	List Price Each
4	LF2460T	Rectangular Table, 24 x 60"	922.00
1	LT24T	24" D Transition Table	1,171.00

Total: 4,859.00

*See power and accessories on page 54



FLIP-N-GO IDEA STARTER #3

Consists of:

Qty.	Parent #	Description	List Price Each
2	LF2460T	Rectangular Table, 24 x 60"	922.00
1	P3024T	24" x 30° Pie	355.00

Total: 2,199.00

*See power and accessories on page 54