

Office Doctor Discount Office Furniture

www.OfficeDr.com 856-368-9085

Safco Sale On Now

Take 50% Off the List Prices in this PDF

Call 856-368-9085 Now

Free Layout & Design Service

Sync Tables



HPL (High-Pressure Laminate) Laminate Color Options



TFL (Thermally-Fused Laminate) Laminate Color Options



HPL (High-Pressure Laminate) Edge Color Options



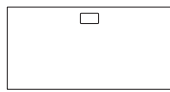
TFL (Thermally-Fused Laminate) Edge Color Options



Base Options



Cutout Options



Cutout-E

"E" - \$30 List upcharge

- (1) Manufactured rectangular cutout 5¼ x 3" for daisy chain electrical kits only. See page 27 for available kit options.
- Grommet caps not included with cutout.



Cutout-G

"G" - \$30 List upcharge

- (1) Manufactured round cutout 1¾" in diameter located in center approach side of top.
- Includes grommet cap.

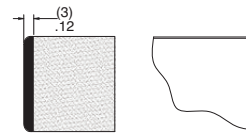


Cutout-M

"M" - \$60 List upcharge

- (2) Manufactured round cutouts 1¾" diameter located on right and left approach side of top.
- Includes (2) grommet caps.

Laminate Edge Type

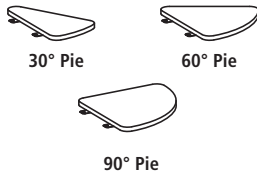
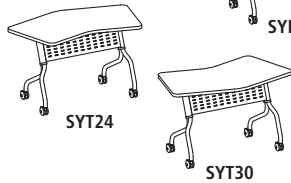
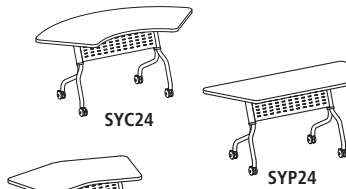
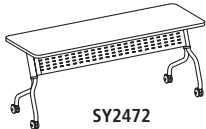
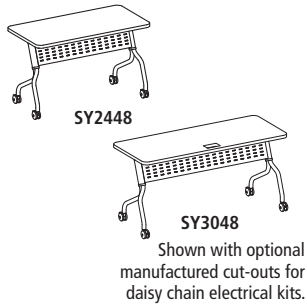


3 MM EDGE BAND

Note: All non-standard cutouts (other than above) will be reviewed to determine if the cutout does not interfere with the base, degrade table strength or cause imbalance. Contact specials@safcoproducts.com for quote request and drawing signoff will be required before order is processed.

- Single-handed center control mechanism for convenient flip of the top
- Minimal assembly required, installs in minutes
- Tables straight-row nest for compact storage, 6⅞" between tables when nested
- Integrated modesty panel with built-in cable trough
- Tables can be connected together by using ganging kit (included)
- Overall table height: 29½", four 3" locking casters
- 150 lb. weight capacity, evenly distributed
- Tables available with Silver frame, and tops in either Thermally Fused Laminate (TFL) or High Pressure Laminate (HPL)

*See power and accessories on page 54



Rectangular Surfaces

Model No.	Description	Wt.	Available Cutouts	TFL List Price "T" Suffix	HPL List Price H3 Suffix
SY1848	48 x 18" Rectangular	66	G	1,002.00	1,095.00
SY1854	54 x 18" Rectangular	71	G	1,073.00	1,157.00
SY1860	60 x 18" Rectangular	76	G,M	1,095.00	1,211.00
SY1866	66 x 18" Rectangular	80	G,M	1,133.00	1,237.00
SY1872*	72 x 18" Rectangular	86	G,M	1,165.00	1,285.00
SY2448	48 x 24" Rectangular	76	G	1,095.00	1,211.00
SY2454	54 x 24" Rectangular	82	G	1,166.00	1,280.00
SY2460	60 x 24" Rectangular	86	G,M	1,211.00	1,336.00
SY2466*	66 x 24" Rectangular	92	G,M	1,259.00	1,400.00
SY2472*	72 x 24" Rectangular	96	G,M	1,285.00	1,430.00
SY3048	48 x 30" Rectangular	86	E,G	1,191.00	1,336.00
SY3054*	54 x 30" Rectangular	93	E,G	1,248.00	1,395.00
SY3060*	60 x 30" Rectangular	99	E,G,M	1,312.00	1,452.00
SY3066*	66 x 30" Rectangular	105	E,G,M	1,356.00	1,499.00
SY3072*	72 x 30" Rectangular	111	E,G,M	1,400.00	1,545.00

*Models that do not ship via small parcel

Crescent Surfaces (48" Radius)

SYC24	67 x 24" Crescent	78	-	1,237.00	1,361.00
-------	-------------------	----	---	----------	----------

Trapezoid Surfaces

SYP24	60 x 24" Trapezoid	78	-	1,237.00	1,361.00
-------	--------------------	----	---	----------	----------

Transition Surfaces

SYT24	48"W x 24"D	78	-	1,313.00	1,411.00
SYT30	60"W x 30"D	100	-	1,352.00	1,450.00

Pie Connectors

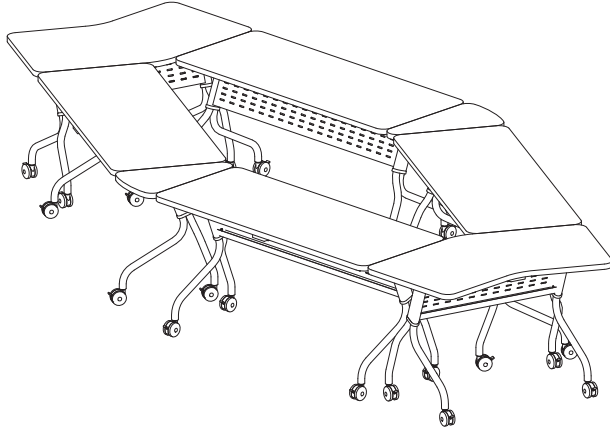
P3018	18" x 30° Pie	4	-	355.00	398.00
P6018	18" x 60° Pie	8	-	372.00	—
P9018	18" x 90° Pie	12	-	398.00	440.00
P3024	24" x 30° Pie	6	-	355.00	398.00
P6024	24" x 60° Pie	12	-	372.00	415.00
P9024	24" x 90° Pie	18	-	398.00	440.00
P3030	30" x 30° Pie	8	-	—	398.00
P6030	30" x 60° Pie	16	-	372.00	415.00
P9030	30" x 90° Pie	22	-	398.00	440.00

*See power and accessories on page 54

Model	Cutout (Optional)	Laminate/Edge Type	Laminate Color Options	Edge Color Options	Base Color
	E = Rectangular (Cutout Only) (Add \$30 List) G = Center Grommet (Add \$30 List) M = Left/Right (2) Grommets (Add \$60 List)	H3 = HPL Laminate/3mm Edge T = TFL Laminate/T-Mold Edge	HPL (High-Pressure Laminate) AISA -Asian Sand CLWN -Columbian Walnut ASNT -Asian Night DSWT -Designer White BLAK -Black FNGY -Fashion Gray BMCH -Biltmore Cherry FUMP -Fusion Maple	HPL (High-Pressure Laminate) BK -Black WI -Designer White IG -Ice Gray	SLV -Silver
		TFL (Thermally-Fused Laminate) ANTM -Anthracite FV -Fog Gray BIRH -Birch LDCM -Mocha LCRM -Cherry RMH -Regal Mahogany FLK -Folkstone GRMA -Speckled Gray Matrix	TFL (Thermally-Fused Laminate) BK -Black IG -Ice Gray TP -Taupe		
SY3048+	E+	H3+	AISA+	BK+	SLV

Sync™ Idea Starters

▪ Must order by individual model numbers.



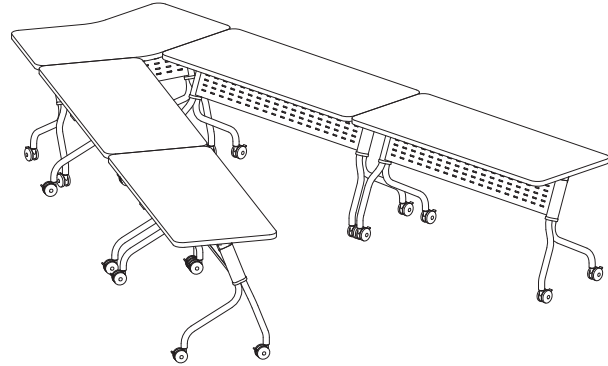
Sync Idea Starter #1

Consists of:

Qty.	Model No.	Description	List Price Each
4	SY2460T	Rectangular Table, 24 x 60"	1,211.00
2	SYT24T	24"D Transition Table	1,313.00
2	P3024T	24" x 30° Pie	355.00

Total: 8,180.00

*See power and accessories on page 54



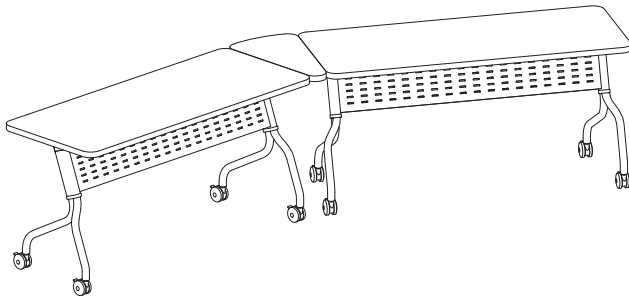
Sync Idea Starter #2

Consists of:

Qty.	Model No.	Description	List Price Each
4	SY2460T	Rectangular Table, 24 x 60"	1,211.00
1	SYT24T	24"D Transition Table	1,313.00

Total: 6,157.00

*See power and accessories on page 54



Sync Idea Starter #3

Consists of:

Qty.	Model No.	Description	List Price Each
2	SY2460T	Rectangular Table, 24 x 60"	1,211.00
1	P3024T	24" x 30° Pie	355.00

Total: 2,777.00

*See power and accessories on page 54